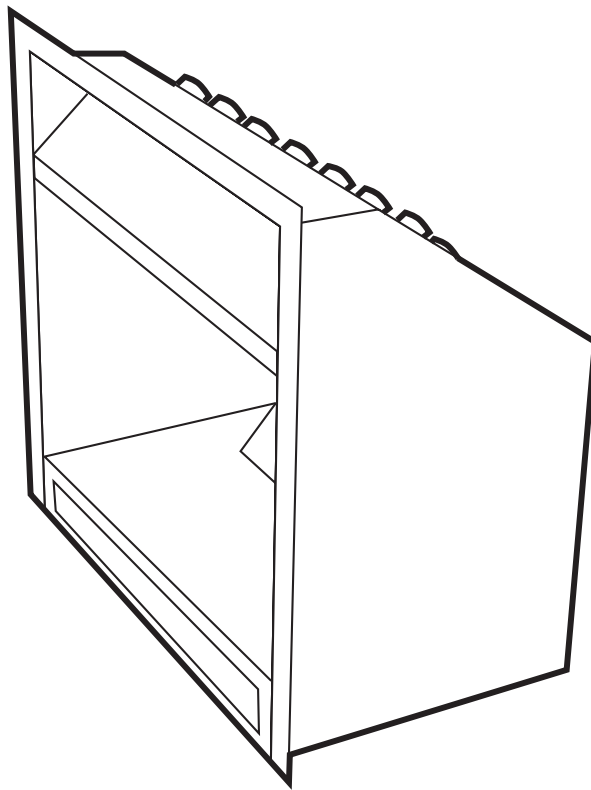




real flame
the hearth of australia



HEATSEEKER® GAS FIREBOX

INSTALLATION & OPERATING MANUAL

The Heatseeker Gas Firebox is approved to be installed into a masonry fireplace and as a zero clearance firebox and is designed to operate on Natural Gas and Propane (LPG) gases ONLY. Approval Number 6094.

Installed primarily as a decorative appliance. Not certified as a Space Heater.

VERSION 13

WARRANTY

Provided your Real Flame gas fire is installed in strict accordance with our installation instructions, the firebox is unconditionally guaranteed for ten years and all other parts for twelve months from date of purchase.

This unconditional warranty covers part and labour at our discretion taking into consideration normal wear and tear and does not cover fires installed in outdoor settings.

INSTALLATION NOTICE

- The installation of this appliance is only to be carried out by an authorised person in accordance with the Manufacturer's Instructions, local gas fitting regulations, AG601 installation code for gas burning appliances and any other relevant statutory regulations.
- In all cases the installation of this appliance shall meet the requirements as set out in AS5601/AG601.

- **NOTE:** A slight smell may be apparent for the first few hours of use. This is due to the heat resistant paint curing. It is recommended to open windows in the room for the first lighting of the fire. In some instances a slight discolouration may occur inside the firebox. This is a normal condition and is not covered by warranty.

IMPORTANT SAFETY NOTICE

- DO NOT PLACE ARTICLES ON OR AGAINST THIS APPLIANCE.
- DO NOT USE OR STORE FLAMMABLE MATERIAL NEAR THE APPLIANCE.
- DO NOT SPRAY AEROSOLS IN THE VICINITY OF THIS APPLIANCE WHILST IT IS IN OPERATION.
- CARE MUST BE TAKEN TO ENSURE THAT ANY RETURN AIR REGISTER OR EXHAUST SYSTEM DOES NOT ADVERSLEY AFFECT THE OPERATION OF THE APPLIANCE OR DRAUGHT OF CHIMNEY OR FLUE.

WARNING

This firebox has a naked flame, care should be taken when it is operating if children or the infirm are in close proximity. A safety screen is recommended if constant supervision is not possible.

VENTILATION REQUIREMENTS

MODEL	EFFECTIVE VENTILATION
600	18,000 sq mm
700	18,000 sq mm
850	32,000 sq mm
1000	32,000 sq mm

CONTENTS

Contents	3
Data Plate	4
Inbuilt model installation diagrams	5
Dimensions Heatseeker 600	6
Dimensions Heatseeker 700	7
Dimensions Heatseeker 850	8
Dimensions Heatseeker 1000	9
Dimensions Heatseeker 600 ZC	10
Dimensions Heatseeker 700 ZC	11
Dimensions Heatseeker 850 ZC	12
Dimensions Heatseeker 1000 ZC	13
Inbuilt Installation Procedure	14
Zero Clearance Timber Frame Installation	16
Zero Clearance Model Components	17
Zero Clearance Model Assembly.....	18
Zero Clearance Model Installation Procedure	19
Lighting instructions.....	20
Commissioning	21
Optional Power Flue.....	22
Introduction.....	22
Installation.....	23
Motor Clearance	25
Frameout.....	26
Motor exploded view	26
Internal Motor.....	27
External Motor	28
Wiring Diagram.....	29
Parts List	29
Troubleshooting Electronic Ignition and Power Flue System	30
Parts kit	32
Flue termination (cowls) regulations	33
Marble trim installation instructions	34
Mantlepiece installation instructions.....	35
Electrical diagram	36
Real Flame contact information	40

DATA PLATE (Affixed to burner)

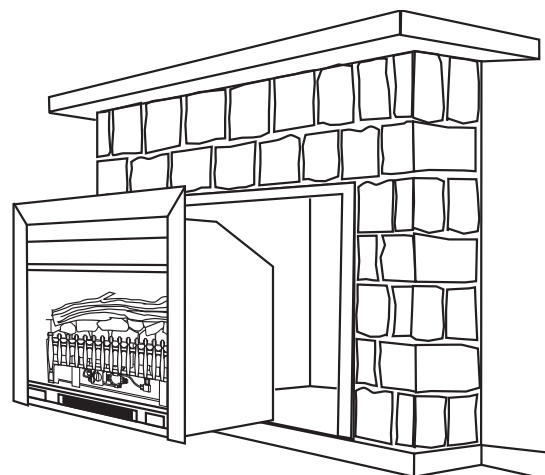
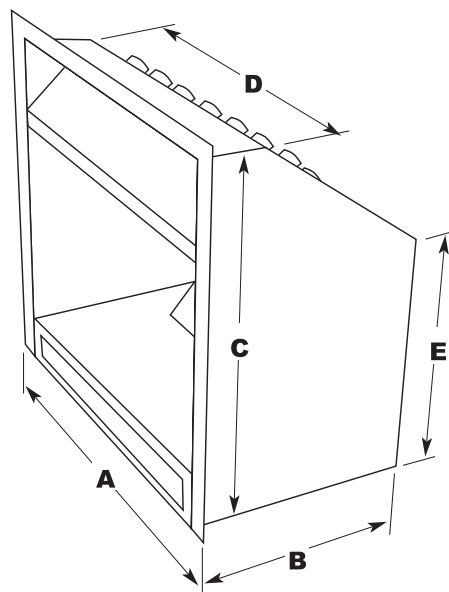
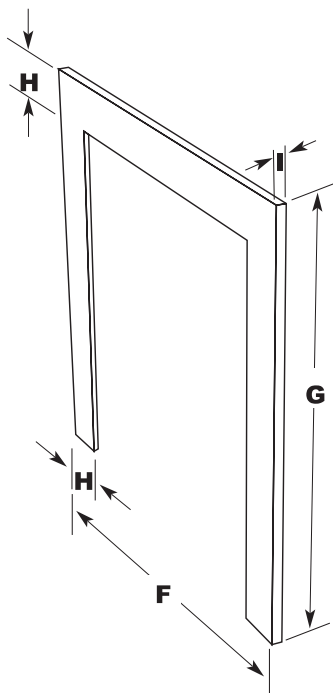
MODEL	NATURAL GAS			LPG			UNIT
	Inj. Size	MJ/Hr	P.T.P	Inj. Size	MJ/Hr	P.T.P	
540	2 x 2.2	37	0.8 kPa	2 x 1.1	31	2.6 kPa	600 & 700
750	2 x 2.5	39	0.63 kPa	2 x 1.2	36	2.55 kPa	850 & 1000

HEATSEEKER INBUILT MODEL

- Unit installed into an existing “working” fireplace requires an AGA approved 225mm gas cowl and chimney plate fixed to the chimney top.
- If the fireplace is not a “working” fireplace, then the applicable flue to the model being installed should be installed using a gather, single skin flue and AGA approved gas cowl.
- If the flue is to be exposed, or enclosed with any combustible material, the appropriate approved twin skin flue and gas cowl is required.

Overall Dimensions (in mm)

MODEL	A	B	C	D	E	F	G	H	I
600	730	370	605	610	370	740	670	75	15
700	830	370	605	710	370	840	670	75	15
850	980	370	605	860	370	990	670	75	15
1000	1130	370	605	1005	370	1140	670	75	15



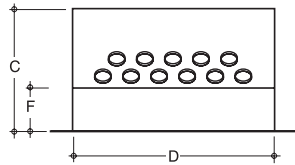
DIMENSIONS

Heatseeker 600

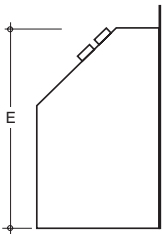
A	B	C	D	E	F	G	H
670	740	370	610	605	130	330	365

I	J	K	L
380	150	65	60

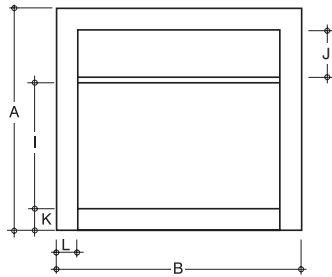
PLAN



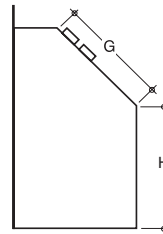
LHS



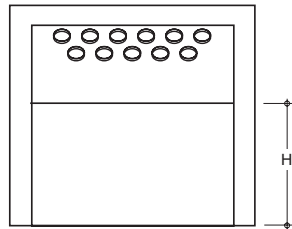
FRONT



RHS

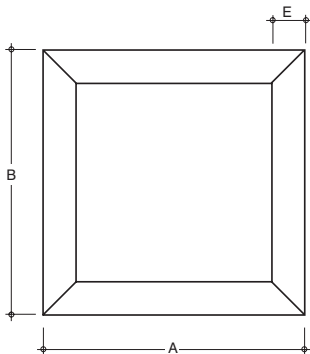


REAR

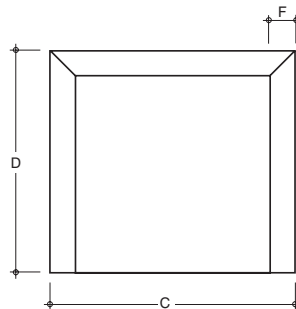


Heatseeker 600 Trim

FRONT - 4 SIDED



FRONT - 3 SIDED



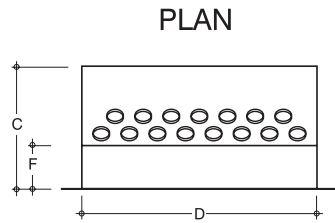
A	B	C	D	E	F
790	800	740	670	100	75

DIMENSIONS

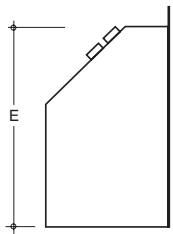
Heatseeker 700

A	B	C	D	E	F	G	H
665	830	370	710	605	130	330	365

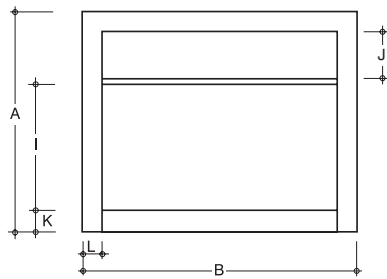
I	J	K	L
380	150	65	60



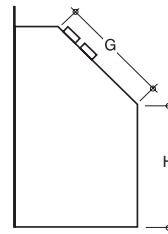
LHS



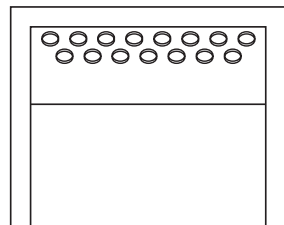
FRONT



RHS

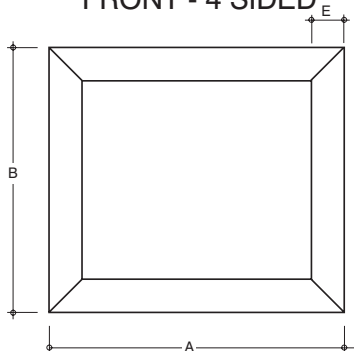


REAR

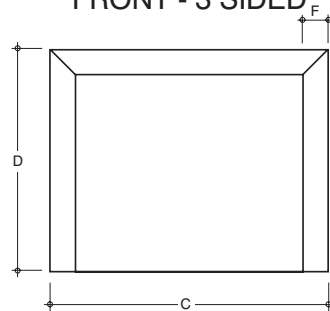


Heatseeker 700 Trim

FRONT - 4 SIDED



FRONT - 3 SIDED



A	B	C	D	E	F
890	800	840	670	100	75

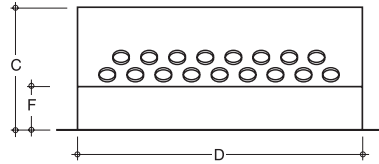
DIMENSIONS

Heatseeker 850

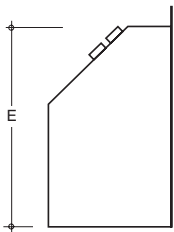
A	B	C	D	E	F	G	H
665	980	370	860	605	130	330	365

I	J	K	L
380	150	65	60

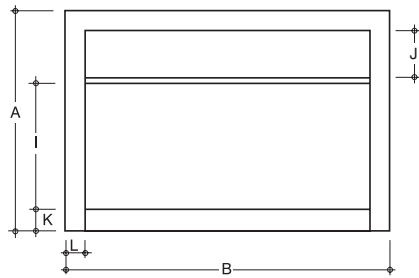
PLAN



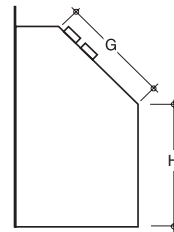
LHS



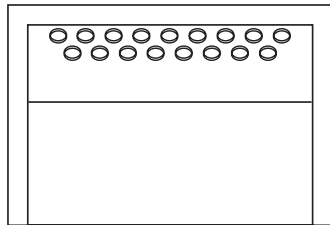
FRONT



RHS

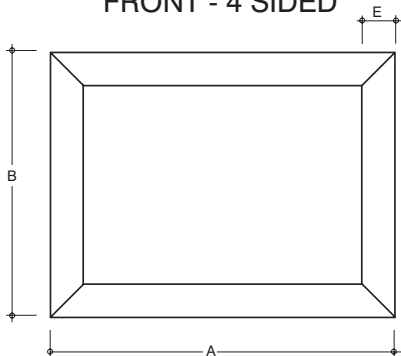


REAR

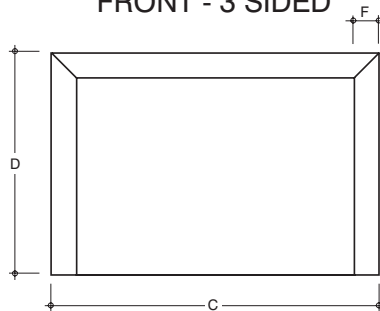


Heatseeker 850 Trim

FRONT - 4 SIDED



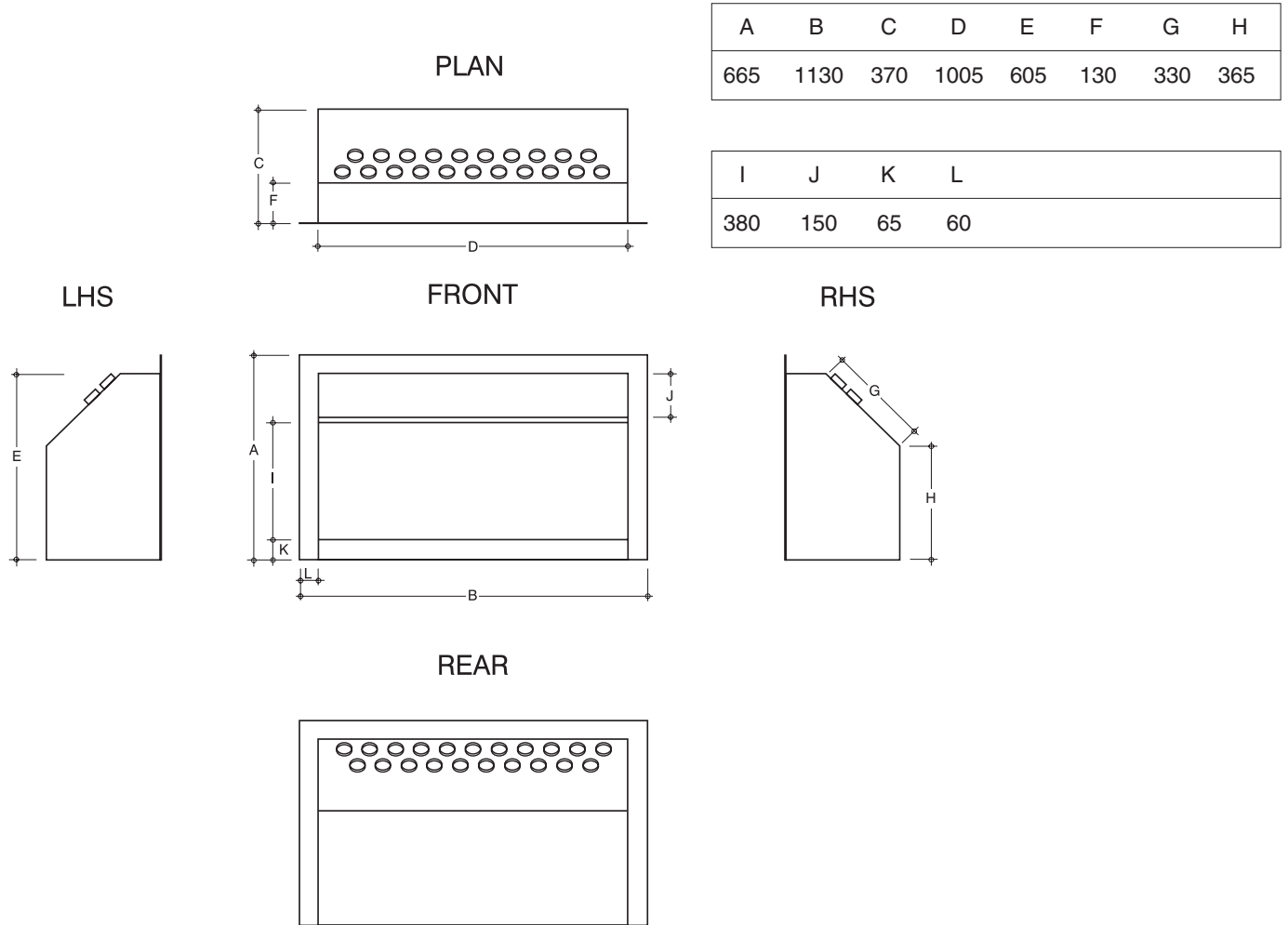
FRONT - 3 SIDED



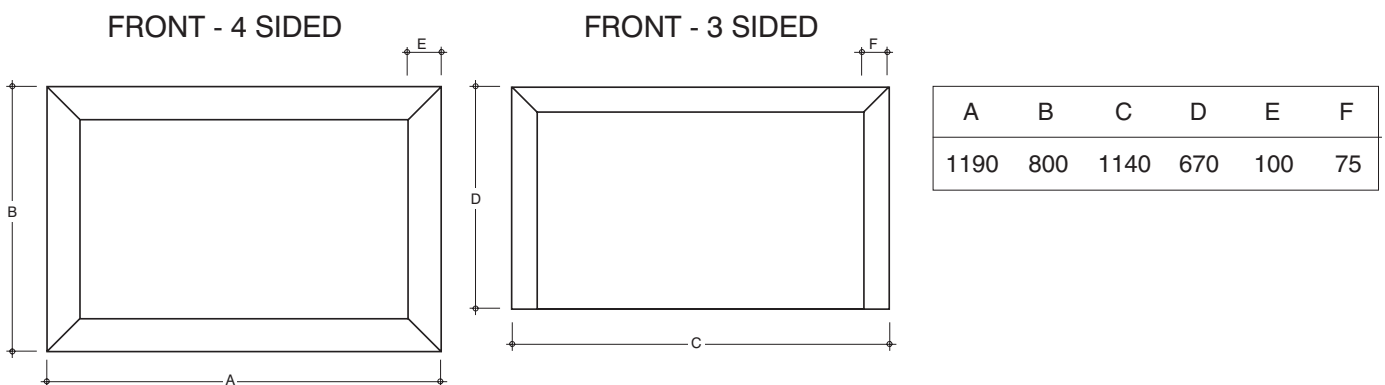
A	B	C	D	E	F
1040	800	990	670	100	75

DIMENSIONS

Heatseeker 1000

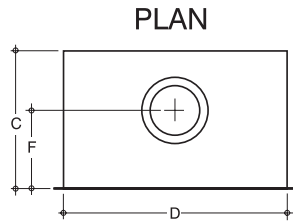


Heatseeker 1000 Trim



DIMENSIONS

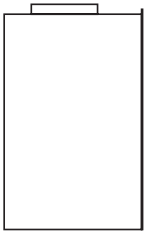
Heatseeker 600 ZC



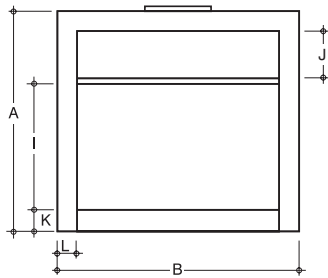
A	B	C	D	E	F	G	H
665	730	415	675	-	235	650	-

I	J	K	L
380	150	65	60

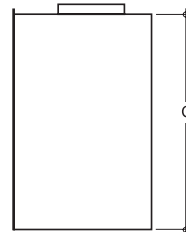
LHS



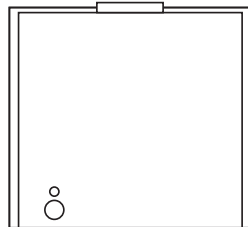
FRONT



RHS

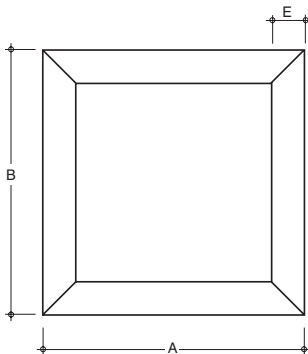


REAR

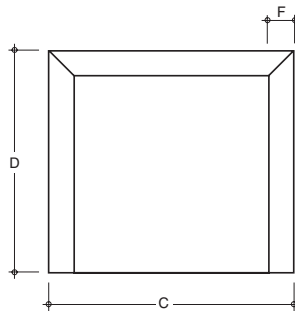


Heatseeker 600 ZC Trim

FRONT - 4 SIDED



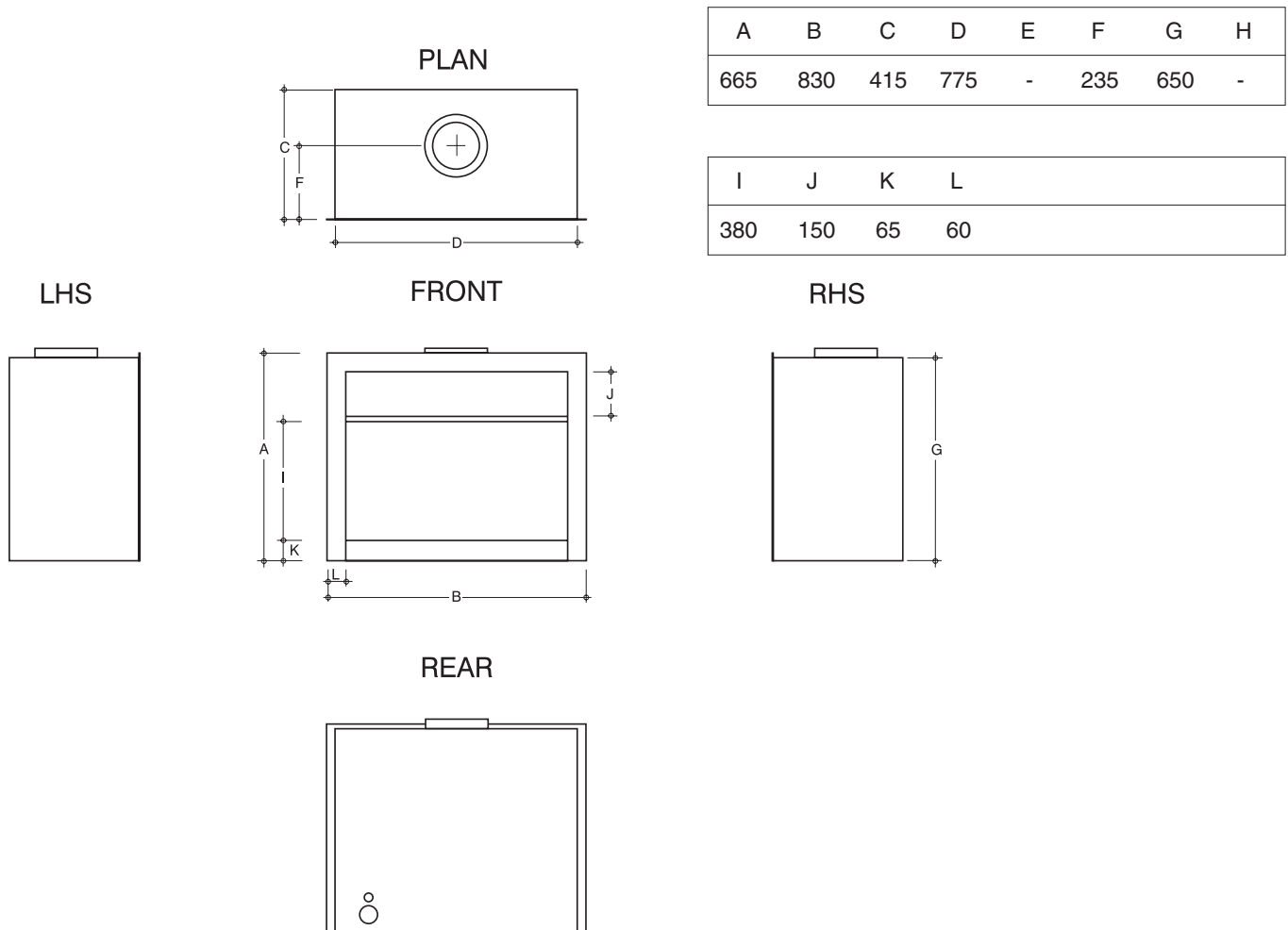
FRONT - 3 SIDED



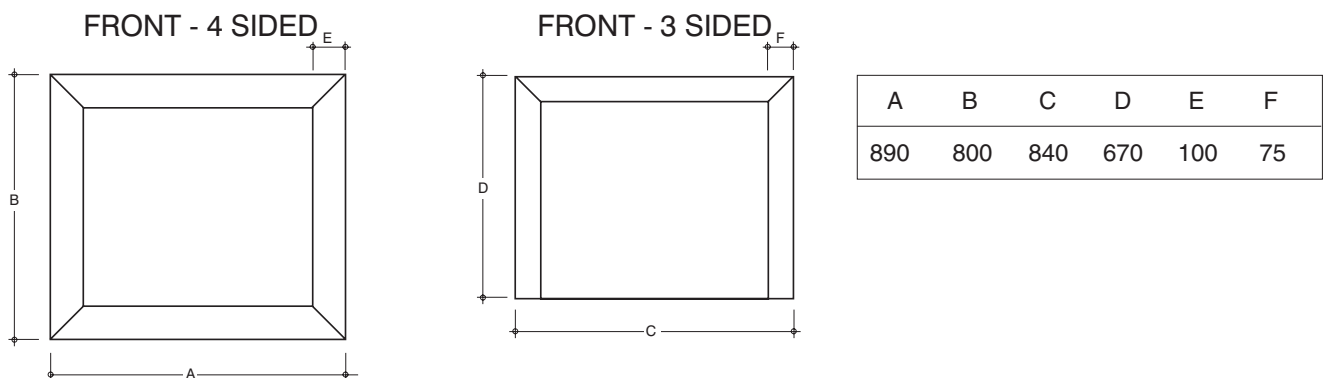
A	B	C	D	E	F
790	800	740	670	100	75

DIMENSIONS

Heatseeker 700 ZC



Heatseeker 700 ZC Trim

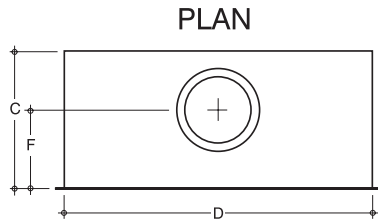


DIMENSIONS

Heatseeker 850 ZC

A	B	C	D	E	F	G	H
665	985	415	930	-	235	650	-

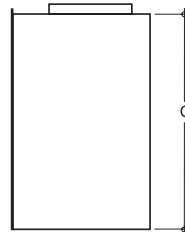
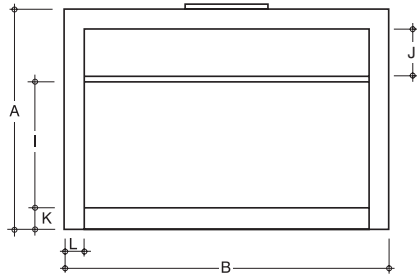
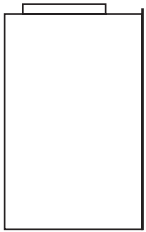
I	J	K	L
380	150	65	60



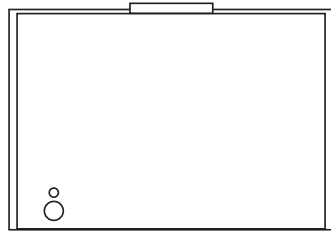
LHS

FRONT

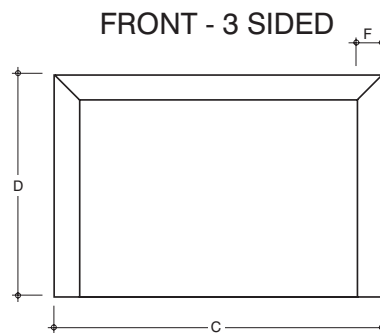
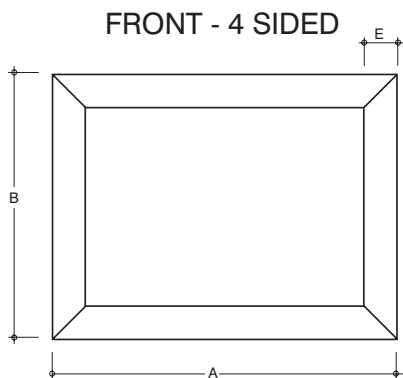
RHS



REAR



Heatseeker 850 ZC Trim



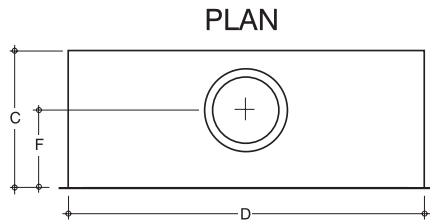
A	B	C	D	E	F
1040	800	990	670	100	75

DIMENSIONS

Heatseeker 1000 ZC

A	B	C	D	E	F	G	H
665	1130	415	1075	-	235	650	-

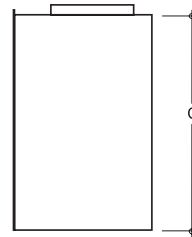
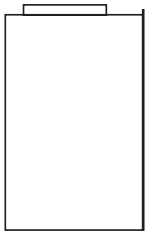
I	J	K	L
380	150	65	60



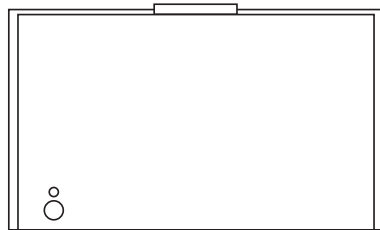
LHS

FRONT

RHS

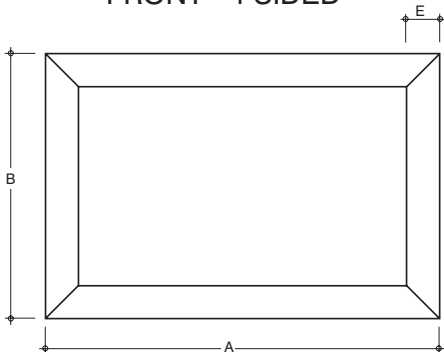


REAR

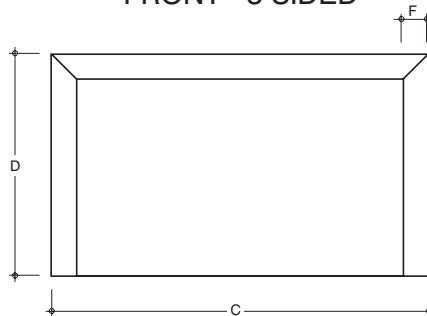


Heatseeker 1000 ZC Trim

FRONT - 4 SIDED



FRONT - 3 SIDED



A	B	C	D	E	F
1190	800	1140	670	100	75

HEATSEEKER INBUILT MODEL

Heatseeker Inbuilt Installation Procedure

- TICK BOXES
- Check chimney for correct venting of fumes
 - Position unit centrally
 - Connect to gas supply using 15mm copper union
 - Connect to power supply
 - Assemble log and coal or pebble set as shown (Figures 1-7).

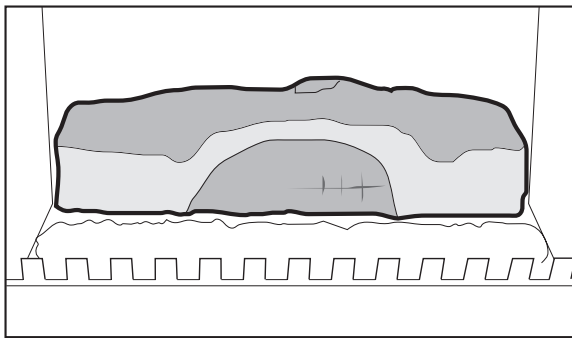


Figure (1) Remove box containing logset, and unpack. Place the large log at the rear of the burner just in front of the 2 square tabs on the log support panel.

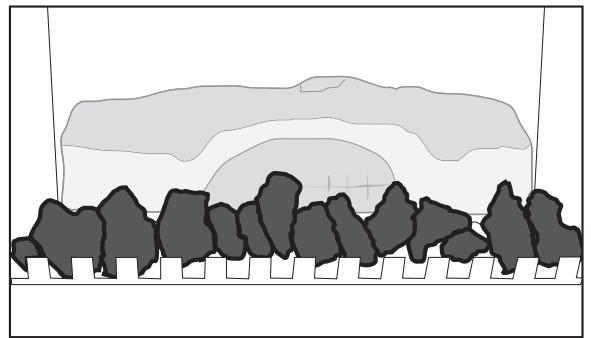


Figure (2) Place the 14 large coals and 8 small coals on top of the white ceramic blanket. Ensure front row of coals are placed 10 - 12mm away from the front grille.

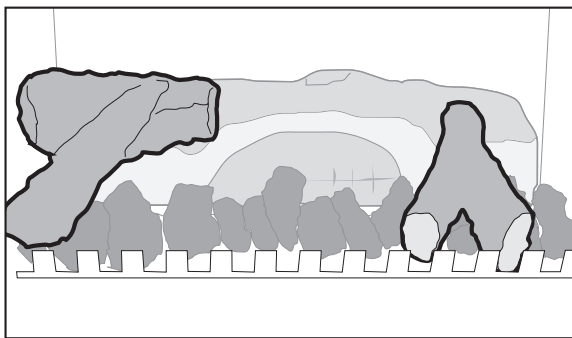


Figure (3) Place the 2 'Y' shaped logs as shown, the larger on the left. Position the 'Y' end of the logs towards the front of the heater.

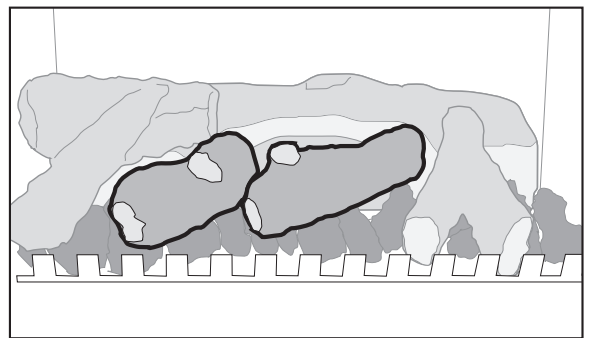


Figure (4) Place the 2 straight logs as shown

HEATSEEKER INBUILT MODEL

Heatseeker Inbuilt Installation Procedure (continued)

The Heatseeker Gas Firebox (Natural Gas Only) is approved for use with Pebbles.

To install the Pebbles, follow the installation instructions as per Figures 5-7. Note: A Real Flame Pebble Tray needs to be ordered for this option.

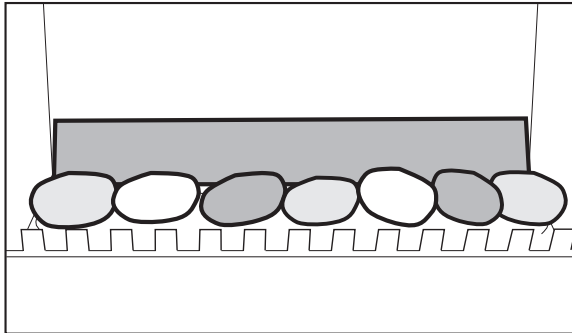


Figure (5) Install the metal angle at the rear of the fireplace and place one row of pebbles behind the burner rail.

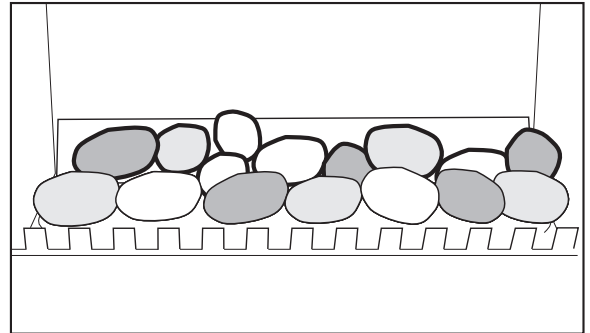


Figure (6) Place pebbles between the first row and the angled tray.

Note: Keep pebbles clear of burner rail.

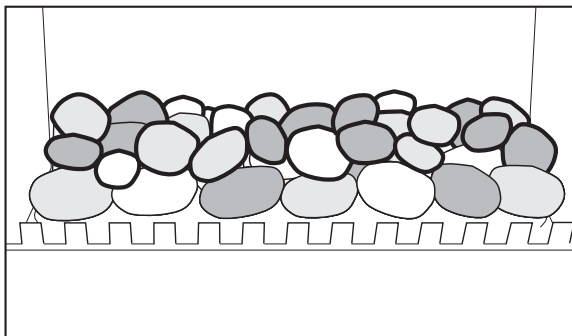


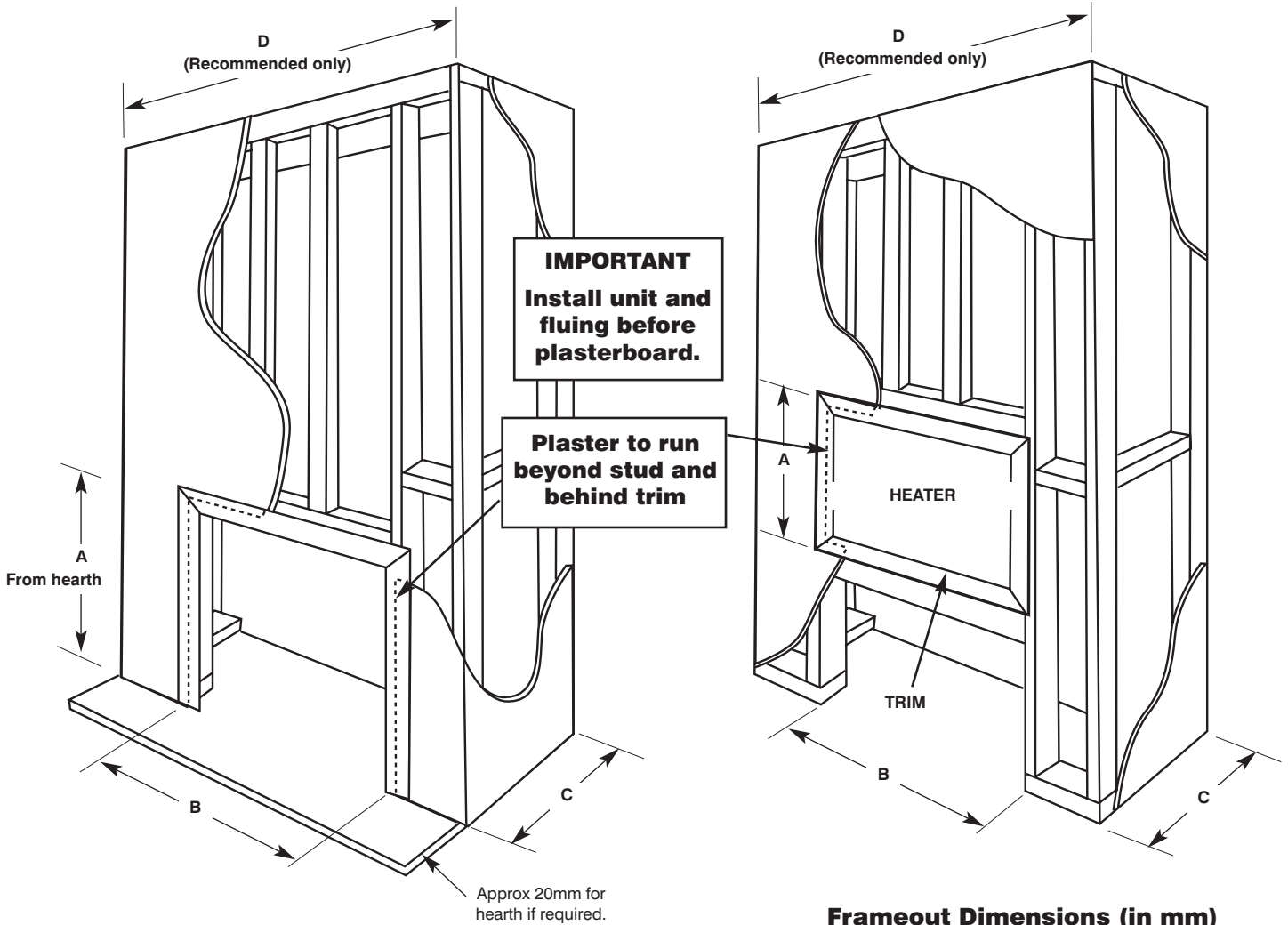
Figure (7) Place remaining pebbles up the angle of the rear tray so as the tray is hidden.

Note: If a coals only configuration is being used, use the same set up as pebbles.

- TICK BOXES
- Fit the trim to the front of the firebox.
 - Light the unit following the procedure on page 14.
 - Install the 225mm AGA approved gas cowl where using the chimney to vent the fumes.
 - Test the unit for safe operation and show customer correct operating procedures.
 - Test for spillage.
 - Perform pressure test.

HEATSEEKER ZERO CLEARANCE MODEL

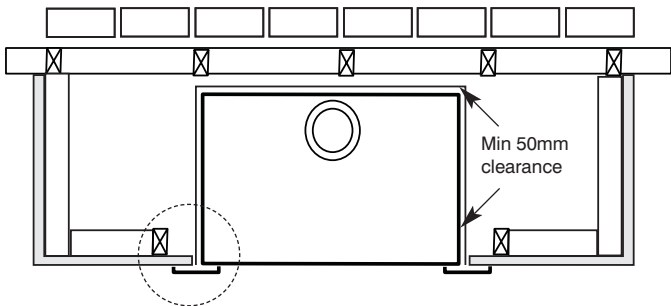
Heatseeker Zero Clearance Timber Frame Installation



NOTE: If fire is to be installed off the floor with a 4 sided trim, use the same A, B, C and D dimensions as shown with framework included below fire to required height. Ensure frame is suitable for fire weight.

Frameout Dimensions (in mm)

MODEL	A	B	C	D
600	750	750	450	2100
700	750	850	450	2100
850	750	1000	450	2100
1000	750	1150	450	2100



NOTE

Plasterboard to run beyond stud as shown, and to go behind fixing flange on unit.

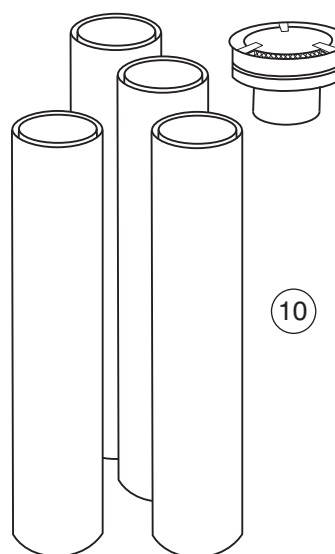
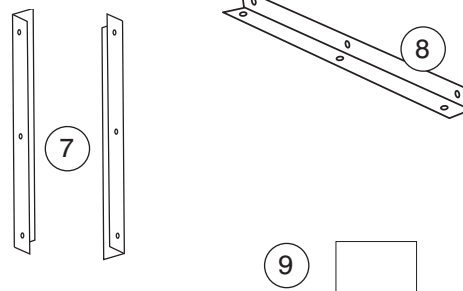
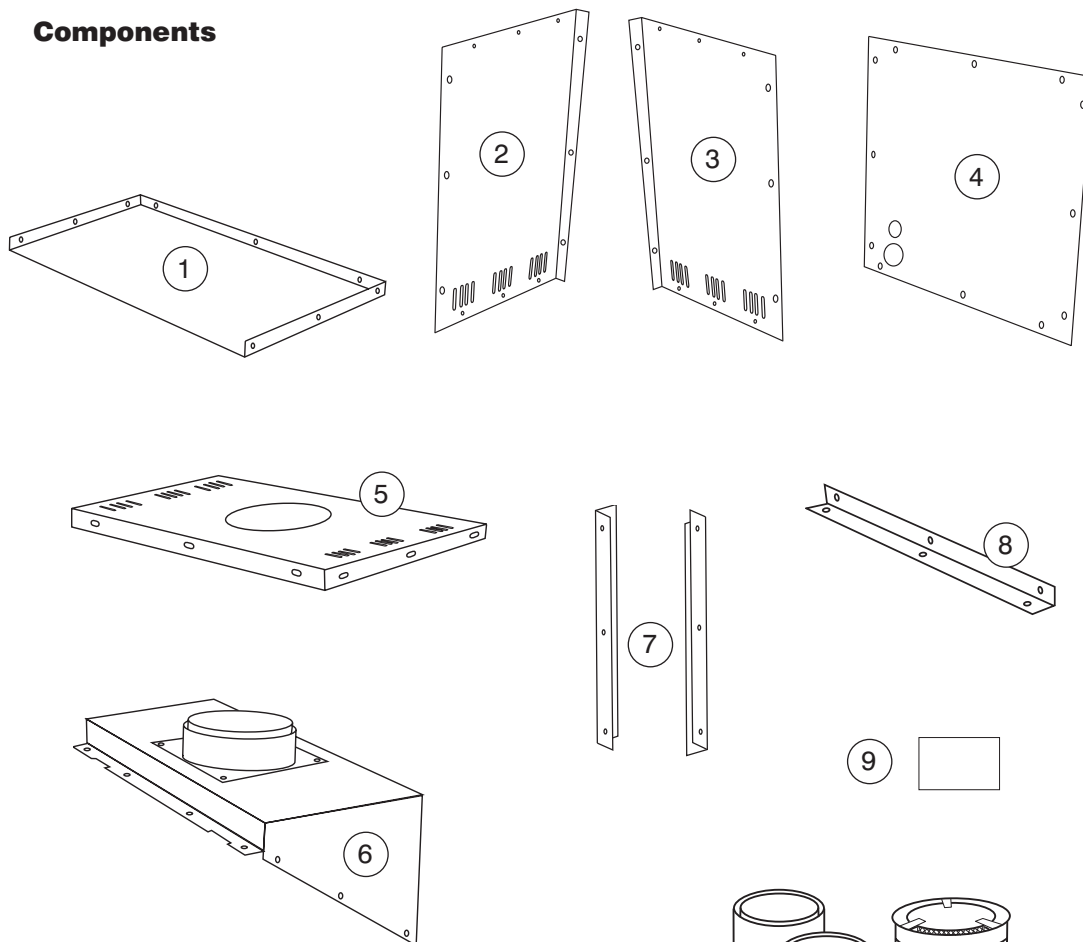
CLEARANCES FROM COMBUSTIBLES

Floor	0 mm
Sides	25 mm
Top	100 mm
Flue Outer	25 mm

HEATSEEKER ZERO CLEARANCE MODEL

1. Position the Heatseeker firebox in the selected installation position in the room.
2. You will require the Zero Clearance Kit to suit the Heatseeker model you are fitting. This should be fitted to the firebox as shown on page 10.

Components

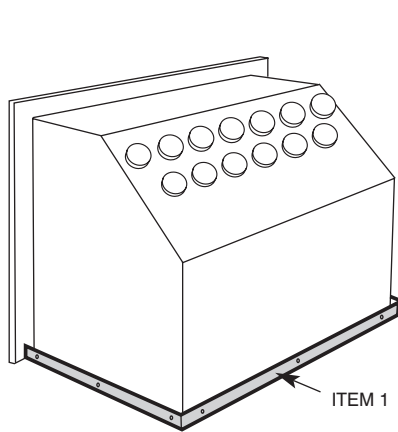


ZERO CLEARANCE KIT COMPONENTS

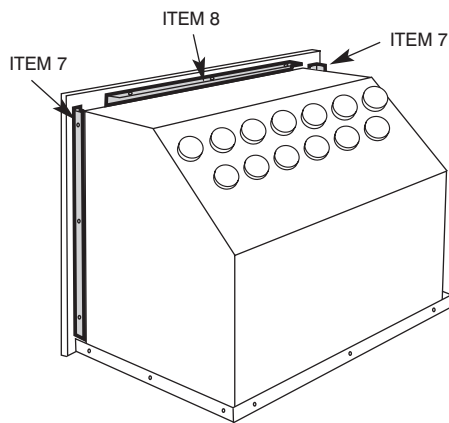
No.	Description	Qty
1	Panel – Base	1
2	Panel – Side LH	1
3	Panel – Side RH	1
4	Panel – Rear	1
5	Panel – Top	1
6	Gather	1
7	Panel – Side Strips	2
8	Panel – Top Angle	1
9	Pack of screws	1
10	3.6m Flue Kit & Cowl	1

HEATSEEKER ZERO CLEARANCE MODEL

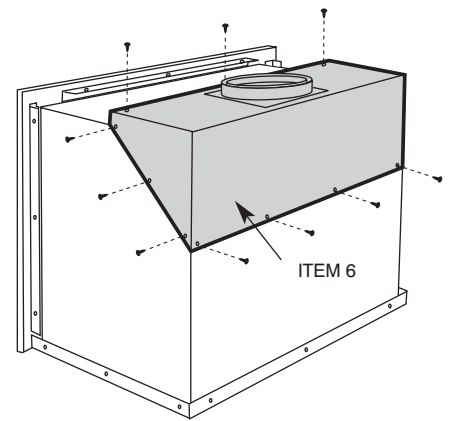
Fit Zero Clearance Kit to unit as shown below:



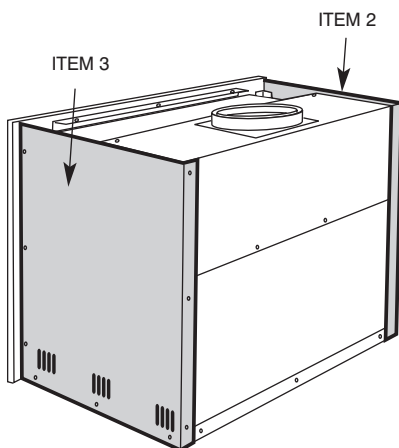
1. Place main fire box (Item 1) centrally on base panel and secure.



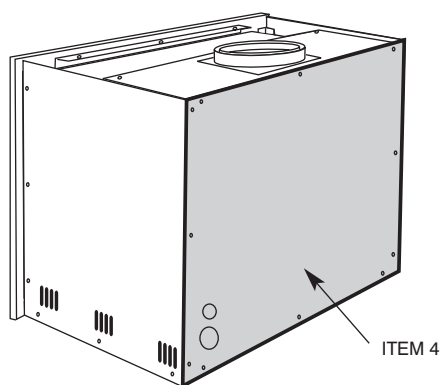
2. Secure side strips (Item 7) and top strip (Item 8) to main fire box.



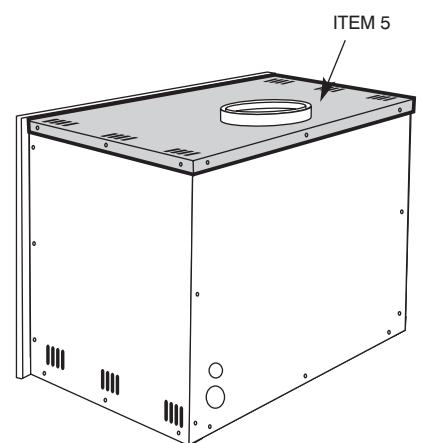
3. Secure gasket (Item 6) to main fire box.



4. Secure LH and RH side panels (Items 2 & 3) to main fire box.



5. Secure rear panel (Item 4) to main fire box.

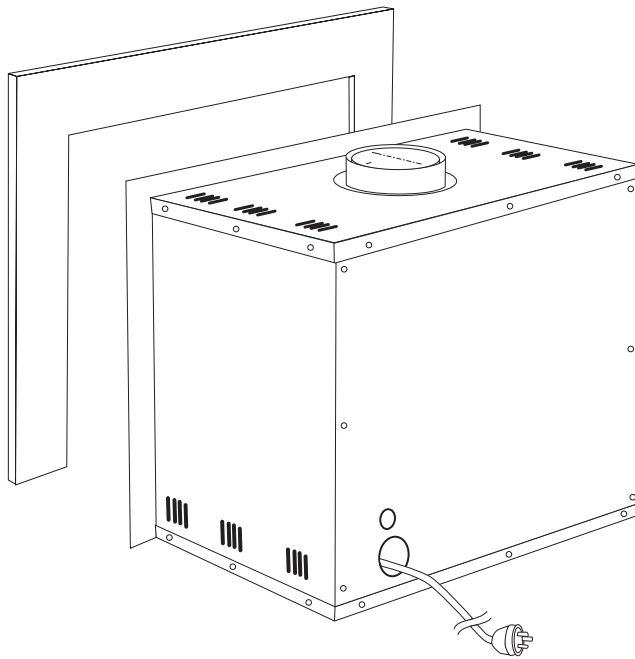


6. Secure top panel (Item 5)

HEATSEEKER ZERO CLEARANCE MODEL

Heatseeker Zero Clearance Installation Procedure

- TICK BOXES
- Connect to gas supply
 - Connect to power supply
 - Install flue to 600mm minimum above roof line. (Min. total flue run 3.6m)
 - Plaster to unit with trim removed
 - Install trim
 - Assemble unit as per page 18
 - Test the unit for safe operation and show customer correct operating procedures.



Flue Size

MODEL	Inner	Outer
600	150mm Gal	200mm Gal
700	150mm Gal	200mm Gal
850	200mm Gal	250mm Gal
1000	200mm Gal	250mm Gal

LIGHTING PILOT AND MAIN BURNER

Before lighting the pilot make sure that the gas line is connected.

FOR YOUR SAFETY READ BEFORE LIGHTING

- The appliance has a pilot which must be lit using the piezo ignition, when lighting the pilot follow the instructions exactly.
- Before lighting the appliance check for gas leaks.
- Use only your hand to push in and turn the gas control knob, never use tools. If the knob will not push in or turn by hand, don't try to repair it, call a qualified service technician. Force or attempt to repair may result in a fire or explosion.
- If the controls have been underwater, immediately call a qualified service technician to inspect the appliance and replace any part of the control system and fan that has been immersed in water.

LIGHTING INSTRUCTIONS

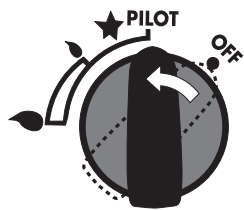


Figure 1

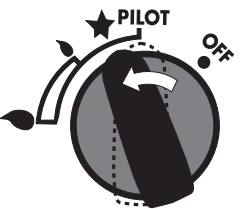


Figure 2

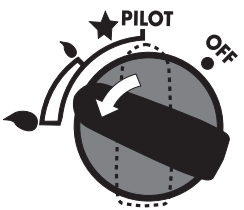


Figure 3

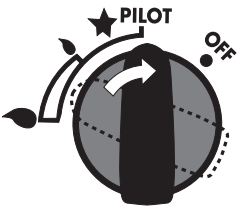


Figure 4

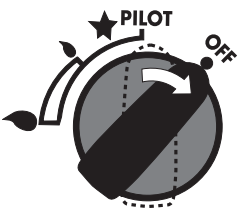


Figure 5

1. To light the pilot, press in and turn the gas control knob anticlockwise to the pilot position.
2. Keep knob depressed and turn the knob anticlockwise toward the ★ until you hear a click. If the pilot lights, continue to depress knob for 20 seconds and release. If pilot goes out repeat the procedure.
3. To light the burner, turn the control knob to the flame setting. The burner can be set anywhere between low and high flame.
4. To turn the burner off, turn the control knob clockwise to the "PILOT" position. This will leave the pilot burning.
5. To turn off the burner and the pilot, turn the knob clockwise to the "OFF" position.

If you are unable to get the appliance to operate correctly, contact either your sales agent or the manufacturer (see contact details on back cover).

Test operation of appliance and fully instruct user before leaving.

Note: Check gas pressure. Refer to Data Plate on page 4 for details.

TO TURN OFF GAS TO APPLIANCE

Push in gas control knob slightly and turn to the "OFF" position.

COMMISSIONING PROCEDURE

Once the fire is installed and operational the installer must check for spillage. Carry out the lighting procedure and turn the fire to high. Allow to warm up for 10 minutes and then using a smoke match set 25mm down and 25mm inside of the fire opening run the match across the width of the opening to check that all of the smoke is drawn away.

Repeat the test with doors and windows to the premises open and closed, and with any extractor fans in the same room or adjacent rooms running on high. The fire should continue to clear its combustion products. Also operate any other flued appliances in the same or neighbouring rooms and ensure they continue to function satisfactorily as multiple flues can work against one another.

If spillage is detected during this procedure it could indicate a faulty flue or lack of ventilation. If the problem cannot be rectified immediately, disconnect the appliance, and advise the customer not to use the appliance until the problem has been resolved.

The customer should always be advised of the need for regular servicing and checks to ensure the continued clearance of combustion waste products.

NOTE: Care must be taken to ensure that any return air register exhaust system does not adversely affect the operation of the appliance or draught of chimney or flue.

WARNING

“DO NOT place articles on or against this appliance.”

“DO NOT use or store flammable materials near this appliance.”

“DO NOT spray aerosols in the vicinity of this appliance while it is in operation.”

OPTIONAL POWER FLUE

THE INSTALLATION MANUAL OF THE REAL FLAME POWER FLUE SYSTEM IS TO BE READ IN CONJUNCTION WITH THE INSTALLATION MANUAL OF THE REAL FLAME PRODUCT BEING USED. THE DESIGN OF THE REAL FLAME POWER FLUE SYSTEM IS SUBJECT TO COPYRIGHT AND ALL INFRINGEMENTS WILL BE VIGOROUSLY PURSUED.

Introduction - the Power Flue System

POWER FLUE DESIGN

A 'flue' using a fan to remove or assist in removing combustion products from an appliance, is known as a 'power flue'.

POWER FLUE APPLICATION

A power flue application can be used to enable a client to have a decorative fire with a horizontal flue run or a vertical flue run where flue space is inadequate for the normal flue.

Installation Instructions

VENTILATION REQUIREMENTS

Air supply to the unit is to be in accordance with ventilation Clause 5.4 of the Gas Code 601. Ventilation requirements do not change by using a power flue.

All Real Flame installation manuals have the ventilation areas clearly defined for each product.

ACCESS TO POWER FLUE MOTOR

Access must be provided to the flue motor, this access **MUST** be at least 400mm x 400mm. There **MUST** be a minimum clearance of 250mm between the top of the motor and any fixed object i.e. ceiling or stud work. This is so the top of the fan box can be removed.

WIRING OF THE POWER FLUE

All wiring for the power flue is carried out at the factory and plug connectors are fitted for easy installation. The power supply for the power flue is via a 3-pin plug at the rear of the firebox that can be plugged into a power socket within the cavity.

ISOLATION SWITCH

If the power point is within a cavity an isolation switch accessible from outside the cavity must be provided.

WIRING CLEARANCES

Wiring must at all times have a clearance of at least 150mm from the flue.

FAN FAILURE SENSING DEVICE

All Real Flame Power Flue systems are fitted with a sensing device within the unit to ensure that, in the event of flow failure, the safety shut off valve within the module will go into lockout and shut off the gas supply to the unit.

'LOCKOUT'

'Lockout' is the term used when the module in the unit senses a fault. When a fault is detected by the module it will shut off the gas and go into lockout. If this occurs contact the manufacturer.

OPTIONAL POWER FLUE (continued)

Installation Instructions (continued)

LOCATION OF FLUE TERMINAL FOR POWER FLUE

Listed below are the minimum clearances required for fan-assisted terminations:

1. Below eaves, balconies and other projections.200mm
2. From the ground, above a balcony or other surface.300mm
3. From a return wall or external corner.....300mm
4. From a Gas meter.1000mm
5. From an electricity meter or fuse box.500mm
6. From a drainpipe or soil pipe.75mm
7. Horizontally from any building structure or obstruction facing a terminal.....500mm
8. From any other flue terminal. Cowl, or combustion air intake.300mm
9. Horizontally from any openable window, door, non-mechanical air inlet,
or any other opening into a building with the exception of sub floor ventilation.300mm
10. From a mechanical air inlet including a spa blower.....1000mm
11. Vertically below an openable window, non-mechanical air inlet,
or any other opening into a building with the exception sub floor ventilation.500mm

ELECTRICAL

SHOULD THE SUPPLY FLEX AT THE BACK OF THE FIREBOX BE DAMAGED, A SPECIALLY PREPARED FLEX IS REQUIRED. FOR REPLACEMENT CONTACT THE MANUFACTURER.

THE ON/OFF WALL SWITCH MUST NEVER BE ATTACHED TO A METAL FRAME.

WARNING

Whenever servicing the power flue system, always turn off the electrical power supply and close the manual gas control valve.

IMPORTANT INFORMATION

In addition to the instructions in this manual all national, state and local regulations must be adhered to. These include but are not limited to:

- Australian Standards AS3000 - Electrical Installation.
- Australian Standards AS5601 - Gas Installation.
- Local Gas and Electrical Authority Regulations.
- Municipal Building Codes.

The power flue should be serviced every 12 months by an authorised technician. If repairs are needed an authorised technician must carry them out.

FITTING THE MOTOR

The power flue motor has a 150mm spigot and a twin spigot of 150mm & 200mm. The single spigot fits over the vertical flue and the 150mm/200mm flue attaches to the horizontal spigot.

FLUE SIZE

All flue prior to the motor is 150mm/200mm twin skin and all flue after the motor is 150mm/200mm twin skin.

OPTIONAL POWER FLUE (continued)

Installation Instructions (continued)

HORIZONTAL FLUE RUN

The maximum length of horizontal flue run is to be 13.5 metres with a maximum of four (4) bends; these bends can be 45° or 90°. **The horizontal flue run is to have a grade downwards from the motor to the termination.**

VERTICAL FLUE RUN

The minimum vertical flue run is 900mm from the top of the firebox (1500mm from the floor). If a longer vertical run is required twin skin flue 150mm & 200mm can be added between the muffler top and the fan. The flue can be cut to the required height.

FLUE CLEARANCES

All flue clearances are as per the requirements listed in the heater specifications.

TERMINATION

The termination to be used for all horizontal installations is to be 100mm cowl that has been approved as a horizontal cowl.

Installation of Power Flue Kit

POWER FLUE MUFFLER

The power flue muffler has a spigot at each end. The end that attaches to the firebox has a spigot equivalent to the inner flue spigot diameter of the firebox, the top of the muffler has a 150mm spigot which the motor fits to, or the 150/200 twin skin flue if required. The flow arrow on the muffler is to be pointing up.

WIRING (see wiring diagram page 29)

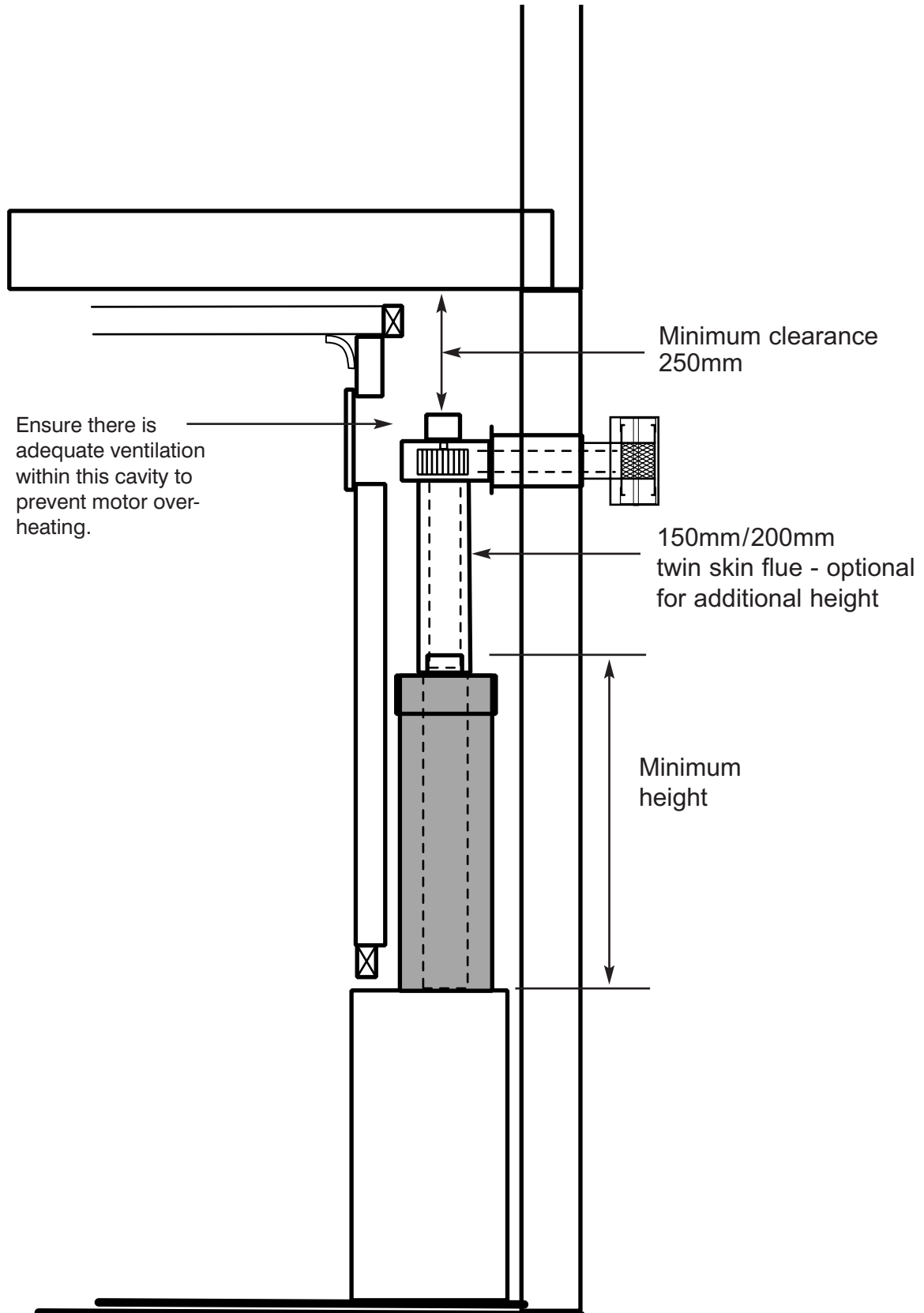
A 3 metre lead is supplied with the power flue, this lead has a different connection on each end, one end is plugged into the connection on the left hand side of the firebox and the other end is to be plugged into the fan. The wire coming from the rear of the firebox with the standard 3-pin plug attached is to be plugged into a power point. A single gang wall switch is also supplied attached to the 3 metres of lead; this wall switch is to be attached at a location accessible to the client. No other wiring is required.

SERVICING OF THE POWER FLUE MOTOR

The Real Flame Power Flue motor is designed so as to make servicing the motor a simple task. The power lead connected to the motor is to be disconnected (unplugged) and the two side clips are to be undone, the fan motor will then lift out for servicing. The fan Motor box connected to the flue does not have to be disconnected from the flue.

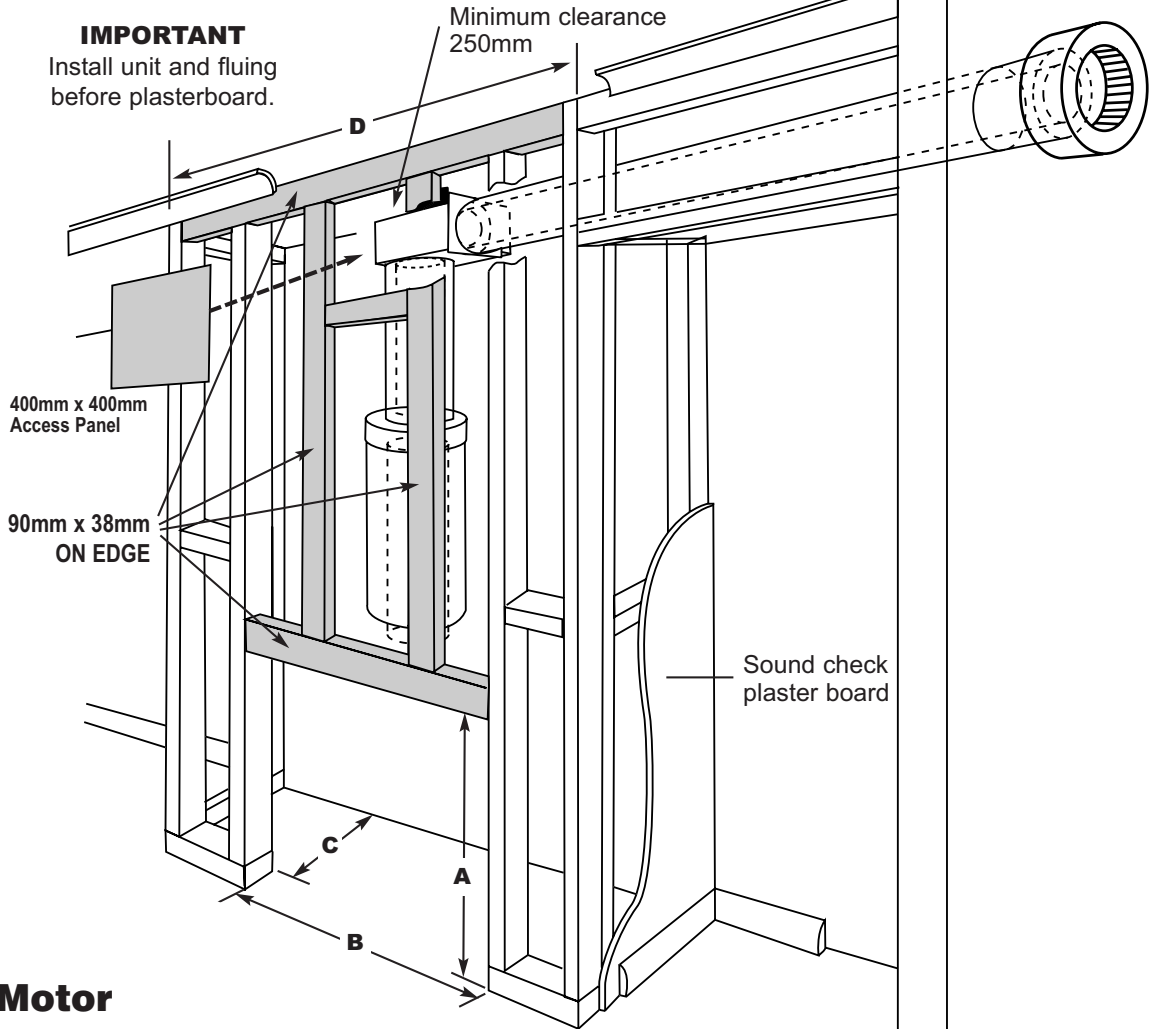
OPTIONAL POWER FLUE (continued)

Motor Clearance

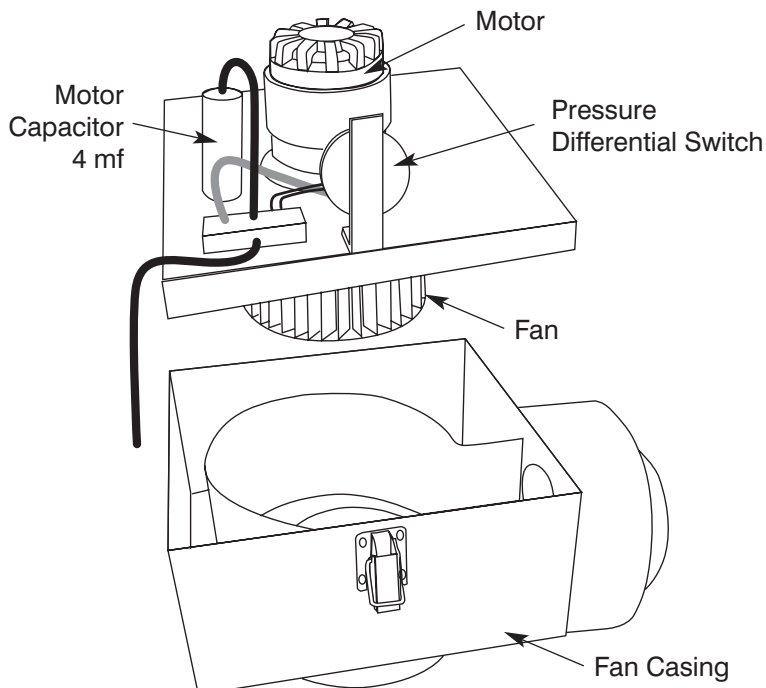


OPTIONAL POWER FLUE (continued)

Frameout

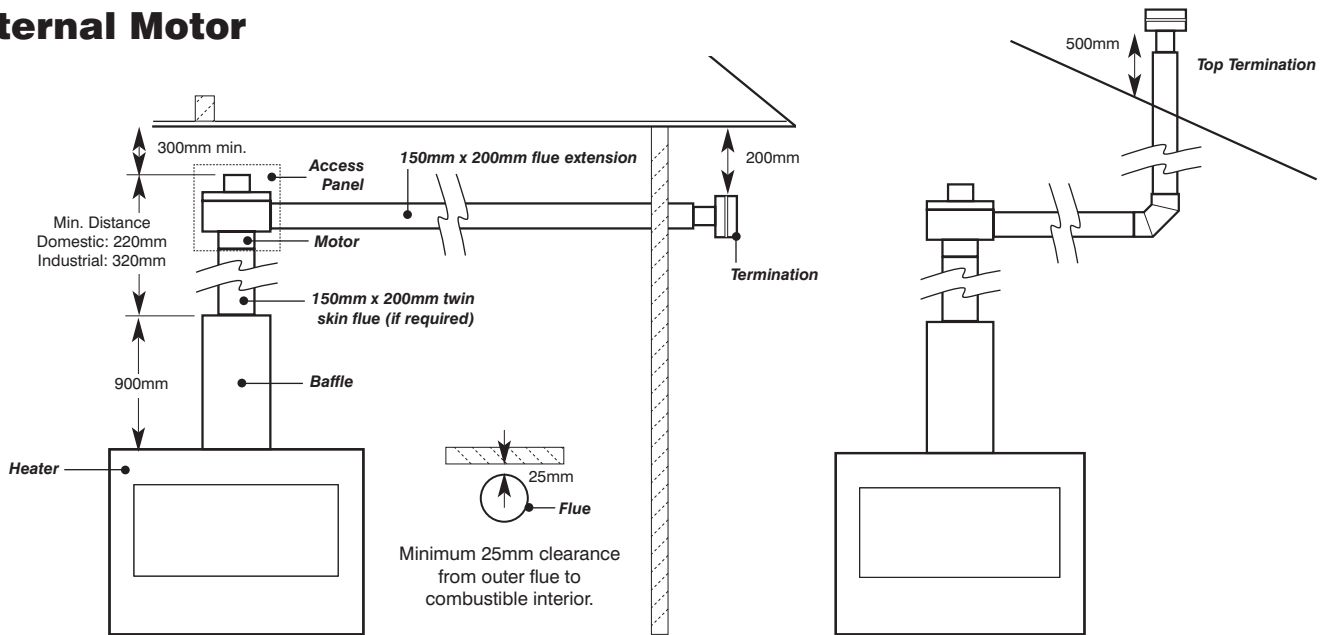


Motor



OPTIONAL POWER FLUE (continued)

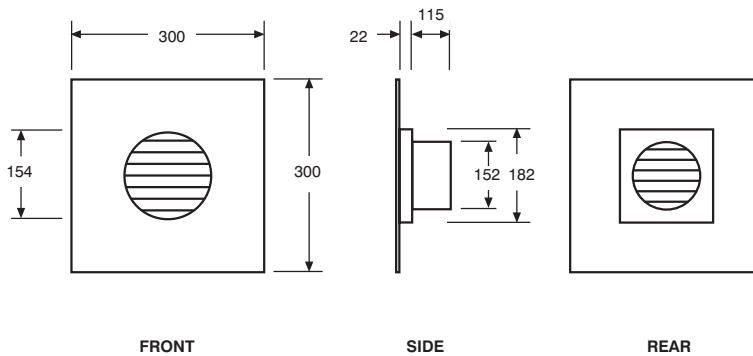
Internal Motor



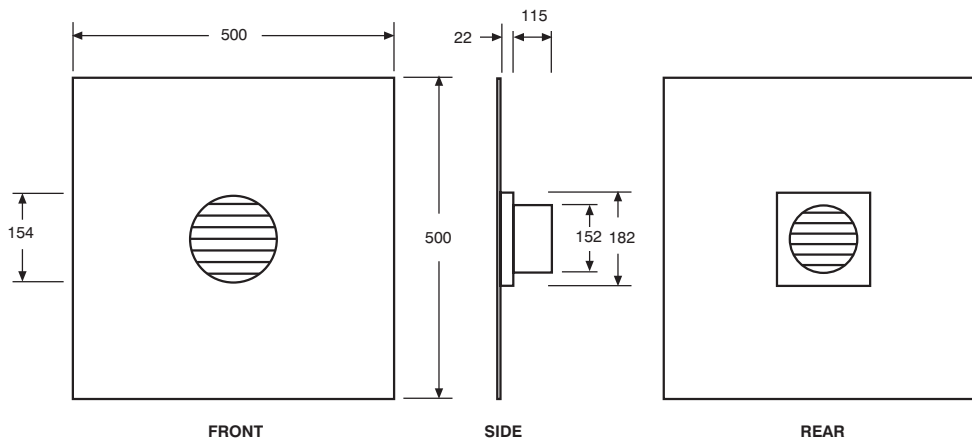
NOTE:

1. Maximum of 4 elbows, 45° or 90°.
2. Allow 400mm x 400mm access panel for service of motor.

Flush Cowl Terminations 300x300

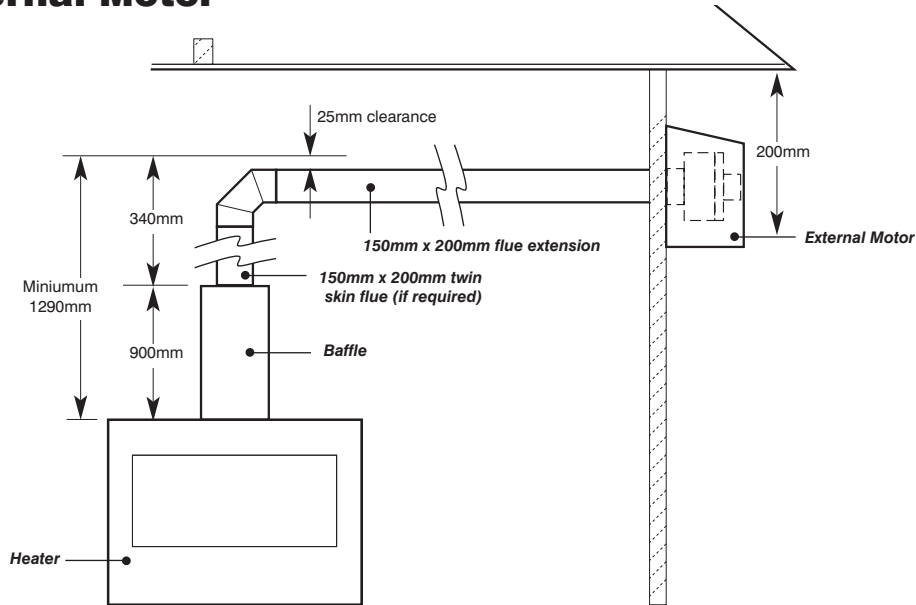


Flush Cowl Terminations 500x500



OPTIONAL POWER FLUE (continued)

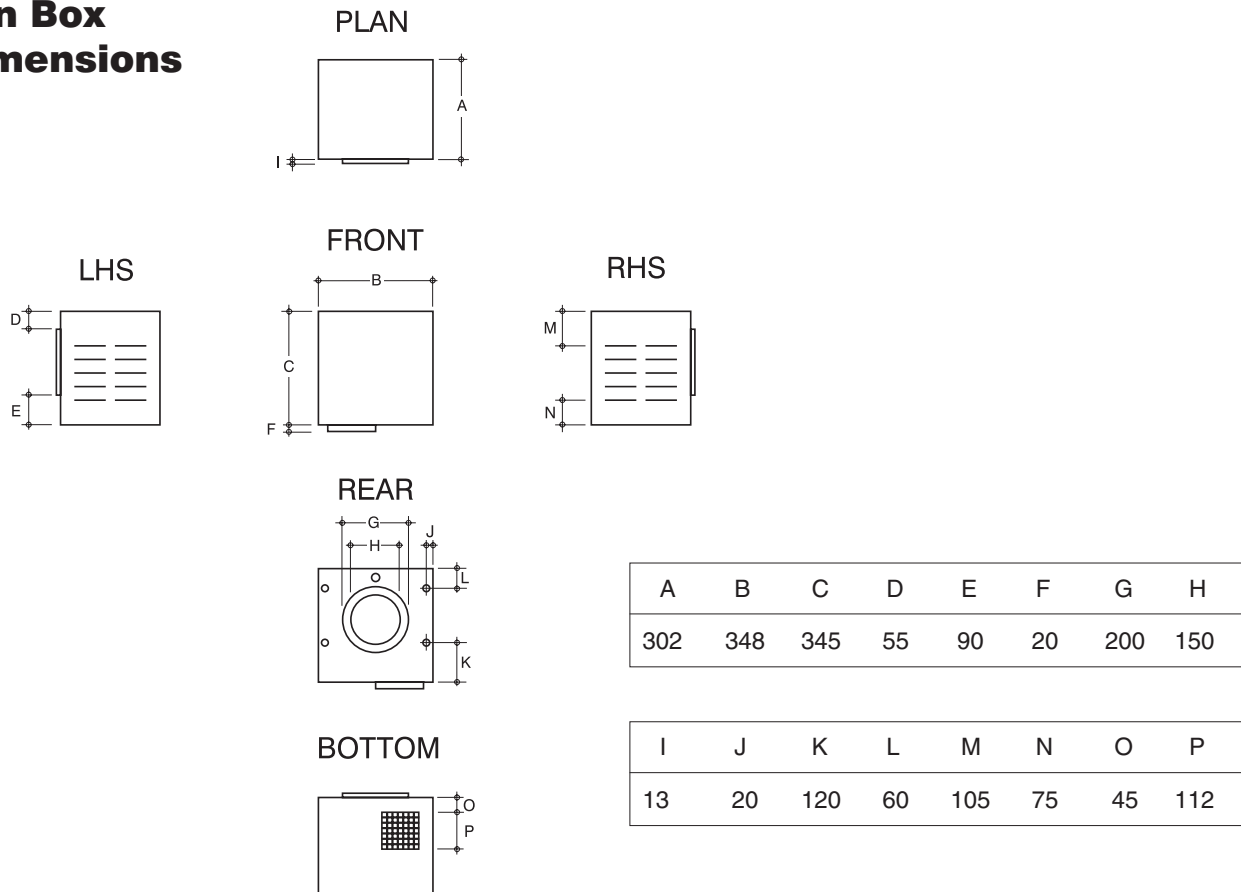
External Motor



NOTE:

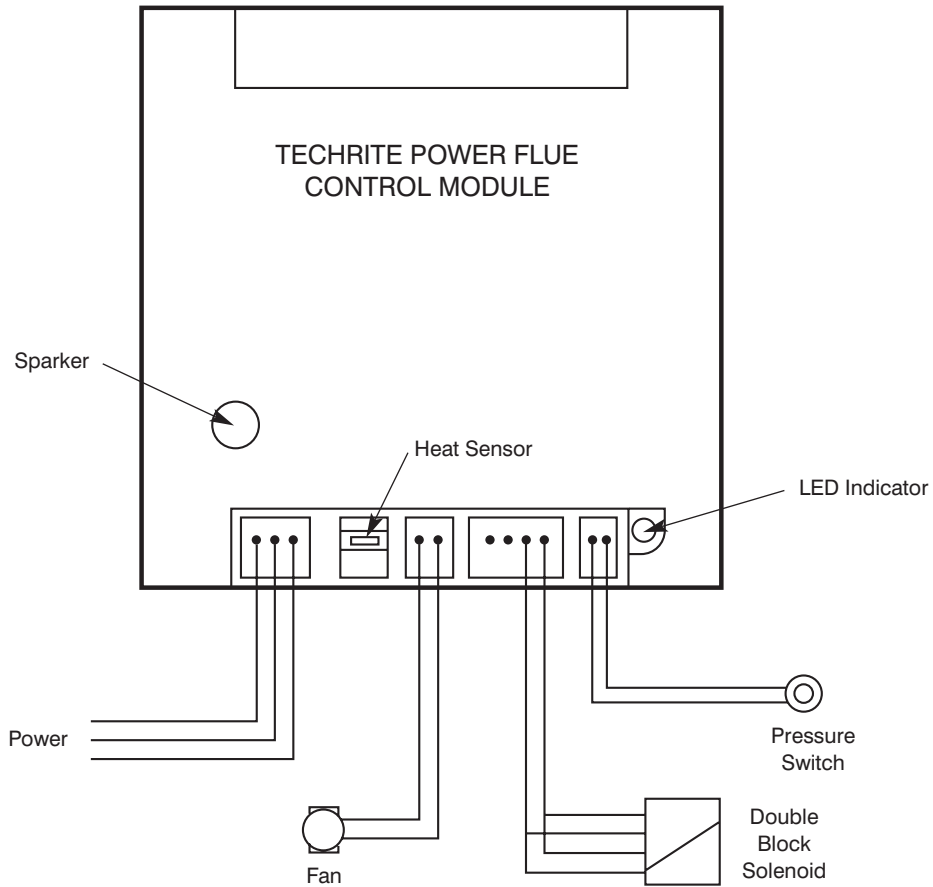
1. Maximum of 4 elbows, 45° or 90°.

Fan Box Dimensions



OPTIONAL POWER FLUE (continued)

Wiring Diagram



Parts List

PART No.	DESCRIPTION
1.	Dungs BM.740-007 double block solenoid valve
2.	Dungs DGAI.73 Module 5.1.3.
3.	Electronic Ignition Sparker
4.	Electronic Flame Sensor
5.	Ecofit 2GTA35 Motor. Complete with 'sail' switch.
6.	900mm Real Flame Power Flue Muffler.

TROUBLE SHOOTING FOR ELECTRONIC IGNITION AND POWER FLUE SYSTEM.

Symptom	Possible Cause	Corrective Action
Fire turned on and nothing happens	No Power to Module	Connect Power
Fire turned on and motor starts but there is no spark	Pressure switch not operating	Check pressure switch
Fire sparks when turned on but will not ignite	A. No Gas	Connect Gas.
	B. Sparker is to far from metal	Adjust sparker so it cross lights to metal.
	C. Pressure switch (Power Flue) is not operating correctly.	Remove fan from housing and check that small tube supplying air to pressure switch has not moved or been damaged.
	C. Valve solenoids are faulty	Check solenoids
Fire ignites and then shuts down within a couple of seconds	D. Solenoid wires to module not connected correctly	Check that the four pin plug from the valve has been connected correctly
	A. Something is touching the heat sensor	Ensure that nothing is touching the sensor which is located behind the cover plate at front of burner.
Fire ignites and shuts down after several minutes	B. The power polarity is reversed	Check polarity
	A. Insufficient air for burner to operate correctly	Check that the unit has correct ventilation as per Installation manual.
	B. Pressure switch not operating correctly	Check air supply tube to pressure switch.

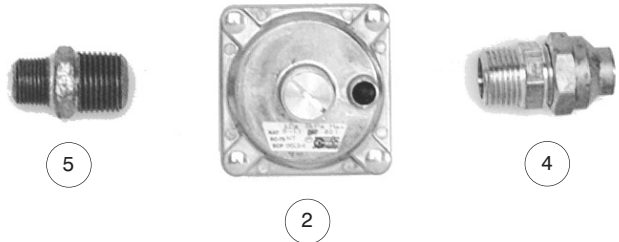
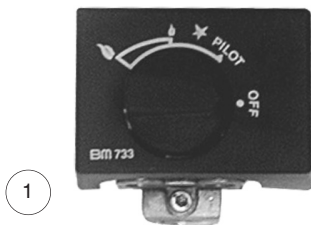
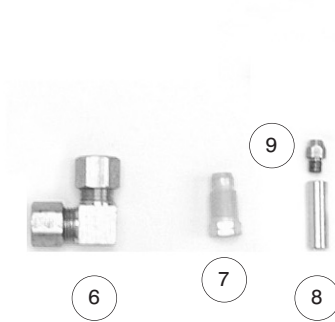
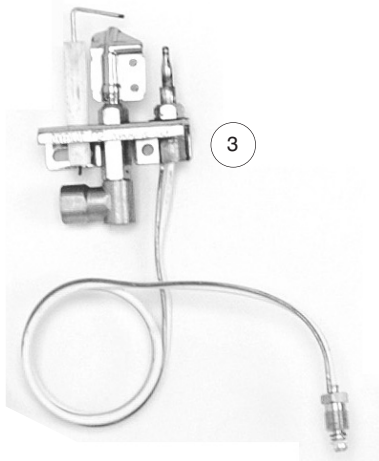
TROUBLE SHOOTING FOR ELECTRONIC IGNITION AND POWER FLUE SYSTEM. (continued)

The power flue and electronic control box have a red LED light that indicates the possible cause of a problem, the LED light will flash in different sequences for different problems, the most common are:-

Long Flash	Short Flash	
1	0	Normal Running State.
1	1	Flame Failure.
1	2	Waiting for pressure switch ON
1	3	Waiting for pressure switch OFF
2	1	Maximum retries exceeded

PARTS LIST

PART No.	DESCRIPTION	PART No.	
01	BM 733 Control Valve	05	1/2" to 3/8" Hex Nipple
02	Regulator SC-75	06	5/16" 90O Union Elbow
03N	S.I.T. ODS Pilot Assembly (Natural Gas)	07	1/4" Nut and Olive
03P	S.I.T. ODS Pilot Assembly (Propane Gas)	08	Injector Holder Stem
04	1/2" Male to 1/2" Copper Union	09	Injector

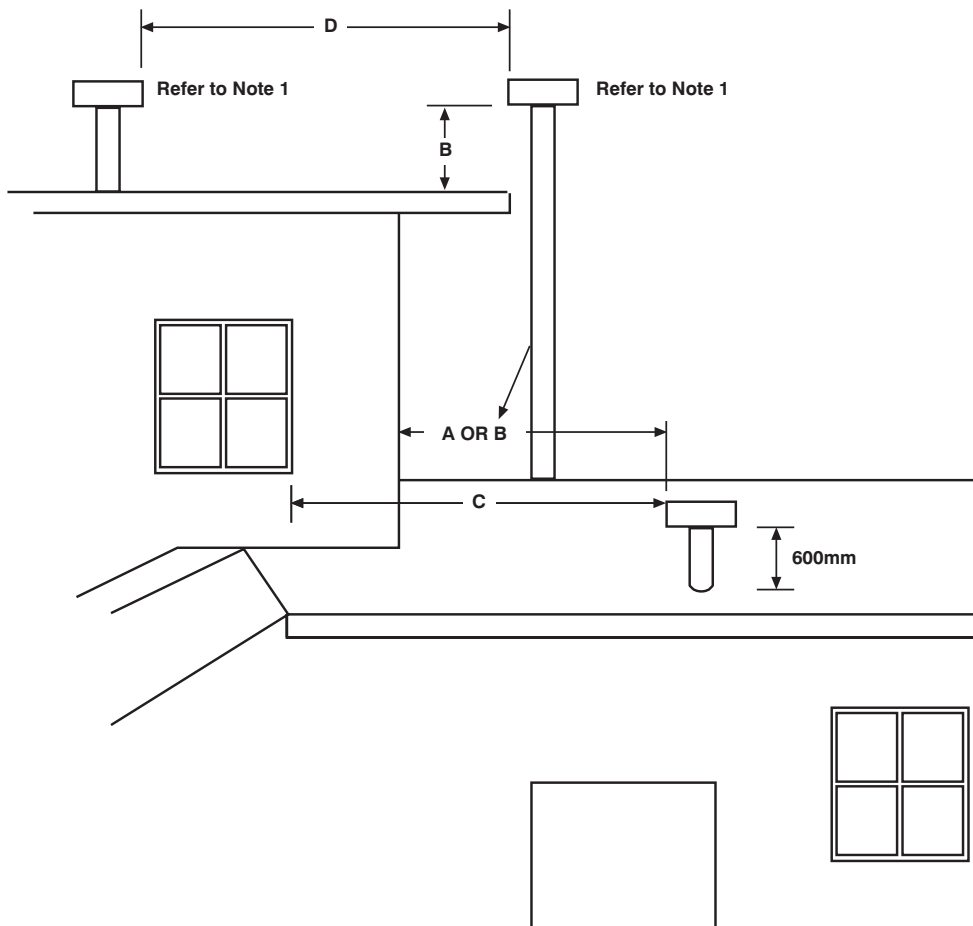


LOG AND COAL SETS



HEATSEEKER FLUE TERMINATION (COWLS) REGULATIONS

Natural Draught

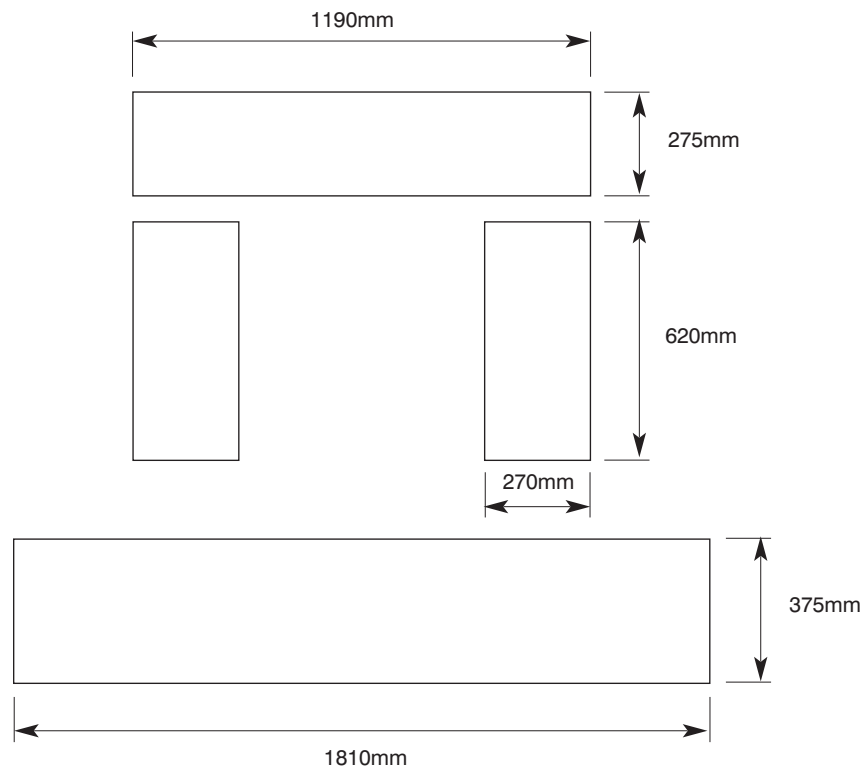


AREA	CLEARANCE REQUIRED
A: Horizontally from a neighboring structure	1000mm
B: If less than a meter horizontally from a neighboring structure then terminates above that structure by	500mm
C: From any opening into a building	1500mm
D: From another flue terminal	200mm

Notes:

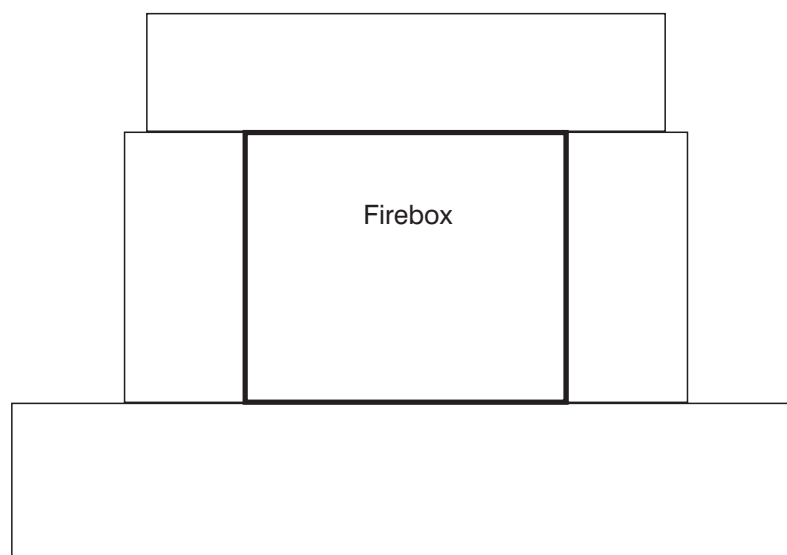
1. A trafficable roof designed for personal or public use, the end of the flue shall be at least 2 meters above the roof level. This dimension is to be increased where necessary so that the minimum distance of 500mm is maintained above any surrounding parapet or at least 200mm from the nearest part of a chimney.
2. The current version of the AG601 gas codes and any other relevant codes should be read in conjunction with the above guidelines to ensure a correct and safe installation.

OPTIONAL MARBLE HEARTH AND/OR MARGIN SET

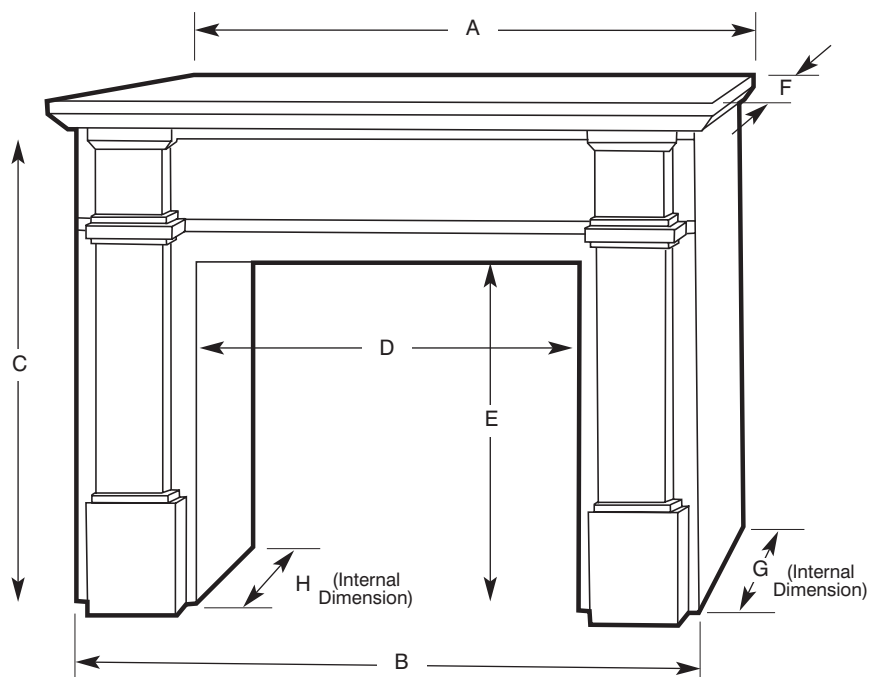
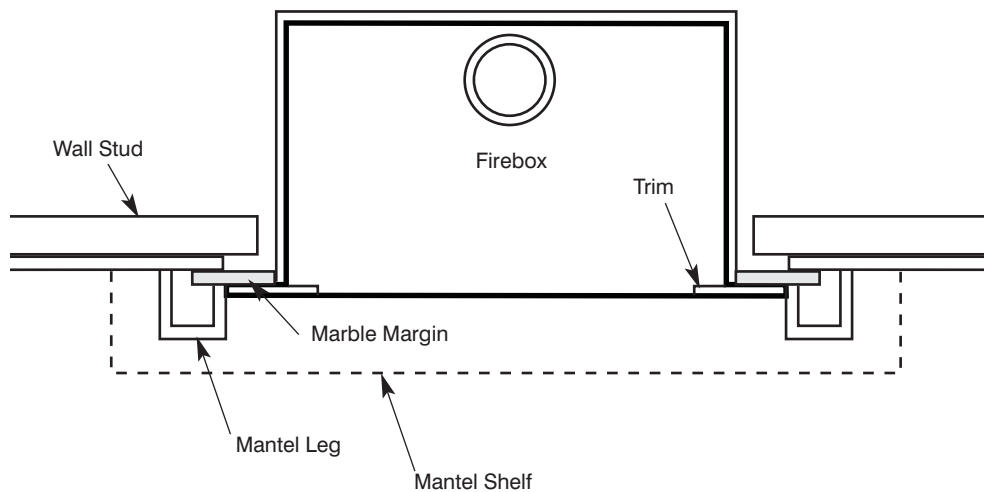


Marble Margin Set Installation Procedure

1. Install Heatseeker with trim in place.
2. Install marble over trim up to the fire opening. Use liquid nails to fix to wall. Marble should look like the diagram below once it has been installed and before mantelpiece has been attached.



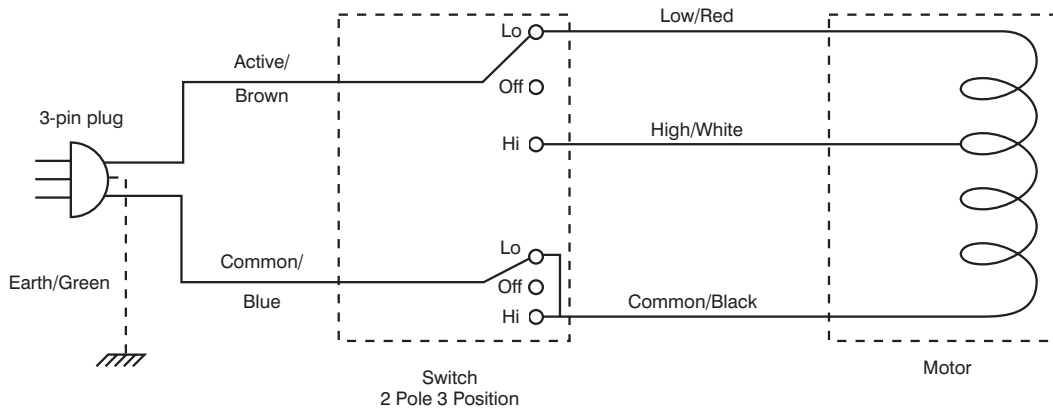
OPTIONAL MANTELPIECE INSTALLATION



MANTELPIECE DIMENSIONS

	A	B	C	D	E	F	G	H
Federation Square	1440	1340	1165	950	950	235	-	-
Adelaide Federation	1460	1300	1170	950	950	235	-	-
Windsor Universal	1810	1665	1180	1090	860	280	100	80
Bouvier Universal	1810	1665	1180	1090	860	280	100	80
Kensington Universal	1810	1665	1180	1090	860	280	100	80
Friedrich Universal	1810	1665	1180	1090	860	280	100	80

ELECTRICAL DIAGRAM





REAL FLAME PTY LTD

ABN 76 006 311 155

Head Office/Factory/Showroom

1340 Ferntree Gully Rd.

Scoresby Vic 3179

Ph: (03) 8706 2000 Fax: (03) 8706 2001

E-mail: info@realflame.com.au

Richmond - VIC Showroom

300 Swan St.

Richmond Vic 3121

Ph: (03) 9428 4443 Fax: (03) 9428 4445

Geelong - VIC Showroom

1/2A Gordon Avenue.

Geelong West Vic 3218

Ph/Fax: (03) 5229 0844

E-mail: realflamegeelong@hotmail.com.au

Sydney - NSW Showroom

654 Pacific Highway.

Chatswood NSW 2067

Ph: (02) 8905 0189 Fax: (02) 8905 0192

E-mail: info@realflame.com.au

Miranda - NSW Showroom

36 Kareena Rd

Miranda NSW 2228

Ph: (02) 8513 6202 Fax: (02) 9520 1974

E-mail: paul@realflamemiranda.com.au

Adelaide - SA Showroom

173 -175 Magill Rd.

Norwood SA 5067

Ph: (08) 8132 0371 Fax: (08) 8132 1687

E-mail: realflamesa@iprimus.com.au

Miton - QLD Showroom

46 Douglas St,

Milton QLD 4064

Ph: (07) 3368 2011

Perth - WA Showroom

47-53 McDonald St East,

Osborne Park WA 6017

Ph: (08) 9444 9900 Fax: (08) 9444 9800

Fyshwick - ACT Showroom

88 Wollongong St,

Fyshwick ACT 2609

Ph: (02) 6280 5522