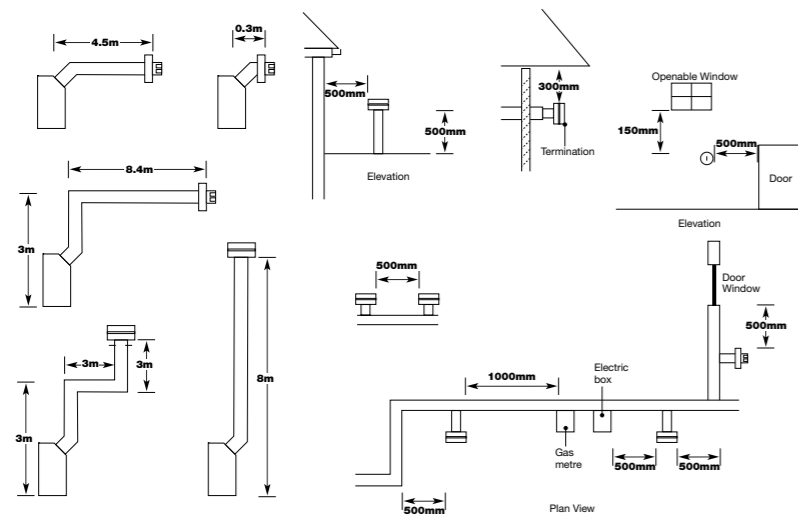


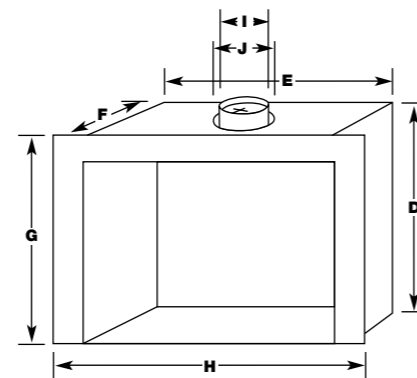
Specifications & Construction

Captiva

The design of the Captiva allows for ease of installation by builders into both brick veneer and weatherboard homes; and thanks to its balanced flue technology is also ideal for situations where conventional fluing may once have been prohibitive.



NOT TO SCALE



Frame Out

Model	A	B	C
600	885mm	680mm	475mm
900	895mm	960mm	475mm

Fire Box

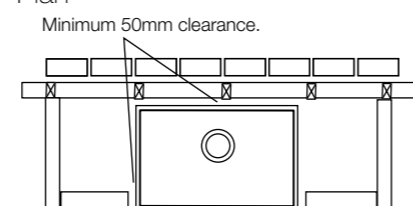
Model	D	E	F	G	H	I	J
600	785mm	580mm	380mm	840mm	790mm	100mm	180mm
900	780mm	860mm	410mm	840mm	1020mm	100mm	180mm

Flue Size

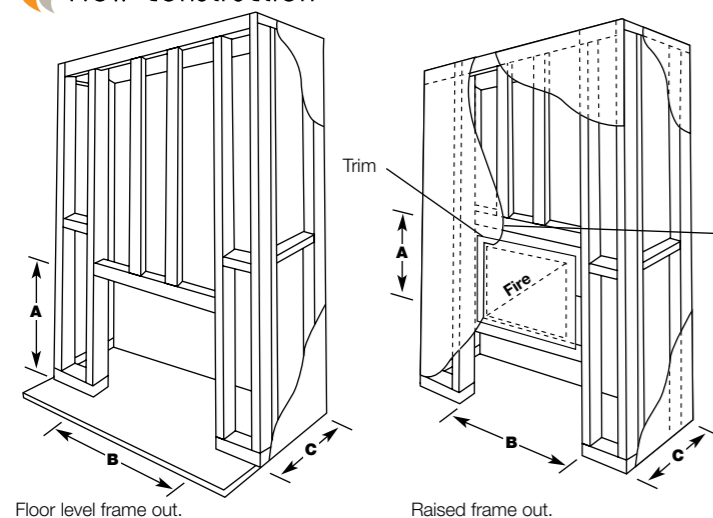
Model	Flue Size		Gas Consumption	
	Inner	Outer	Model	Mj/hr NG / Mj/hr LPG
600	100mm	180mm	600	26 / 26
900	100mm	180mm	900	30 / 30

AGA GSCS20081

Plan



New Construction



NOTE: Install unit and flue prior to plastering.

NOTE: Plaster to run beyond studs and behind trim or square edge.

Demand Efficiency

The Captiva high efficiency glass fronted fireplaces have an impressive large scale fire with exceptional heating capacities. Ideal for installation into medium to large rooms and thanks to their balanced flue direct vent technology can be installed into situations where conventional flue methods are not possible. Two of the most efficient gas fireplaces on the market, the Captiva 600 or 900 are the sensible choice for a practical and stunning heating solution for your home.



For detailed specifications visit:

www.realflame.com.au

Head Office/Factory/Showroom
1340 Ferntree Gully Rd, Scoresby VIC T: 03 8706 2000

Showrooms

300 Swan St, Richmond VIC T: 03 9428 4443

2a Gordon Ave, Geelong VIC T: 03 5229 0844

654 Pacific Hwy, Chatswood NSW T: 02 8905 0189

36 Kareena Road, Miranda NSW T: 02 8513 6202

173-175 Magill Rd, Norwood SA T: 08 8132 0371

94 Bundall Road, Bundall QLD T: 07 3257 0394

47-53 McDonald St East, Osborne Park WA T: 08 9444 9900

Warranty: Your Real Flame gas firebox is unconditionally guaranteed for a period of 10 years, all other parts are guaranteed for 12 months from date of purchase. This warranty does not cover outdoor installations

Available from:



CONCEIVED, DESIGNED, RESEARCHED, DEVELOPED AND BUILT IN AUSTRALIA



🔥 Demand efficiency

The Captiva balanced flue gas fireplaces have a large glass viewing area that can be dressed with coals and logs, coal only or pebbles. Simple styling makes them an ideal choice for both classic and contemporary situations, they can be set with a traditional surround and boxed mantel, or flush finished for a more modern look. Trims come in a choice of stainless steel, or matt black, in either four sided or three, with stainless steel or matt black louvres to suit.

The Captiva can flue horizontally, vertically or even a combination of both thanks to its balanced flue technology as seen on the specifications page.



- 🔥 Glass fronted space heater
- 🔥 Balanced flue
- 🔥 Pebbles or Coals and Logs
- 🔥 New application
- 🔥 Traditional or modern
- 🔥 Full remote control function
- 🔥 600 up to 90m²
- 🔥 900 up to 100m²

