

# CALDOR





# CALDOR

BF16

## A FLAME TO FILL THE BIGGEST OF ROOMS

The Caldor is an exceptional wood insert fire that can heat large open areas or be ducted into one or two extra rooms. With an enormous combustion chamber that can take logs up to 760mm long, this fire will heat huge areas with ease. The guillotine front glass door glides up and down effortlessly and provides an impressive viewing area of 1130 x 394.



Huge combustion chamber.

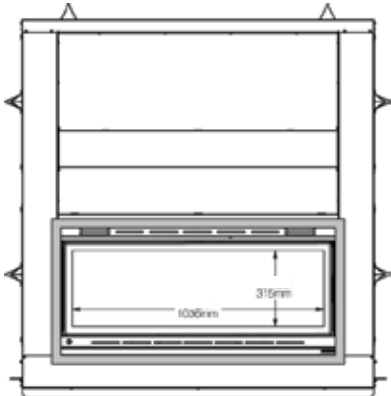
Zero clearance applications.

Will take log lengths up to 760mm.

Optional hot air diffuser ducts. (2 x 200mm)

Triple skin flue system.

# CALDOR



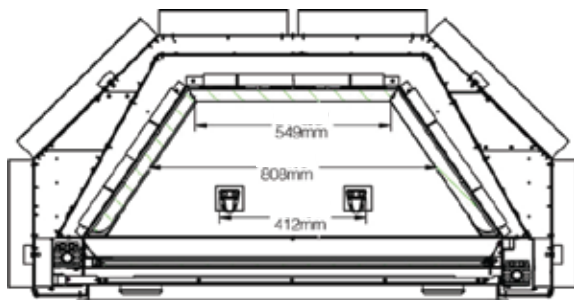
Glass surface

	FLUE SPIGOT	HEATS UP TO M <sup>2</sup>	OVERALL HEIGHT	OVERALL WIDTH	OVERALL DEPTH
BF16	200	150	1623	1590	810

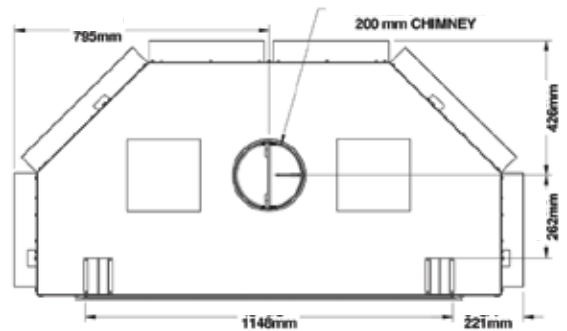
All measurements in millimetres (mm)

\* Note: The m<sup>2</sup> heating capacity will vary depending on location, insulation values and other thermal influences. Speak with your sales consultant if unsure.

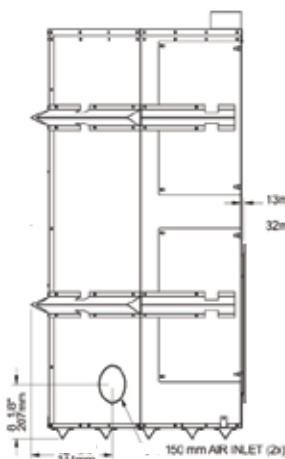
The Real Flame Caldor fire has been tested AS/NZ52918 and is exempt from AS/NZ54012 and AS/NZ54013



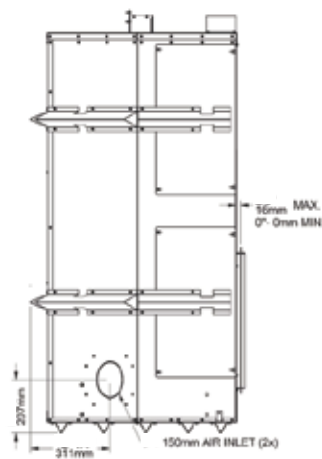
Combustion chamber



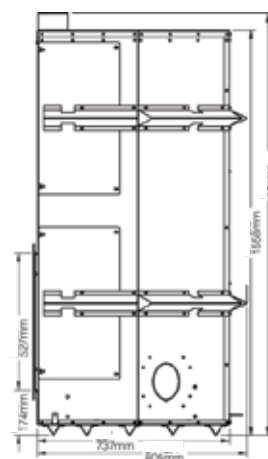
Top View



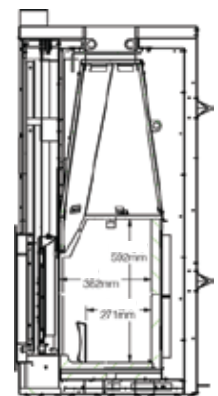
Left side  
Black straight narrow trim



Left Side  
Black straight masonry trim



Right side



Combustion chamber

## WARRANTY

Firebox: 15 Years Components: 2 Years

VISIT [WWW.REALFLAME.COM.AU](http://WWW.REALFLAME.COM.AU) FOR MORE TECHNICAL INFORMATION.

