

LIGNA





LIGNA

700 | 800 | 900

ENGINEERED TO WORK BRILLIANTLY

The Ligna series of open fronted wood fire inserts are a stunning addition to any environment. Apart from being economical to install, the Ligna series produces brilliant radiant and convection heat much more efficiently than a conventional masonry fireplace. Its unique heat exchange design traps hot air which would otherwise be lost up the chimney and circulates it through natural convection into the room so the heat is kept inside the room where you want it.



New or existing applications

Hide away safety screen

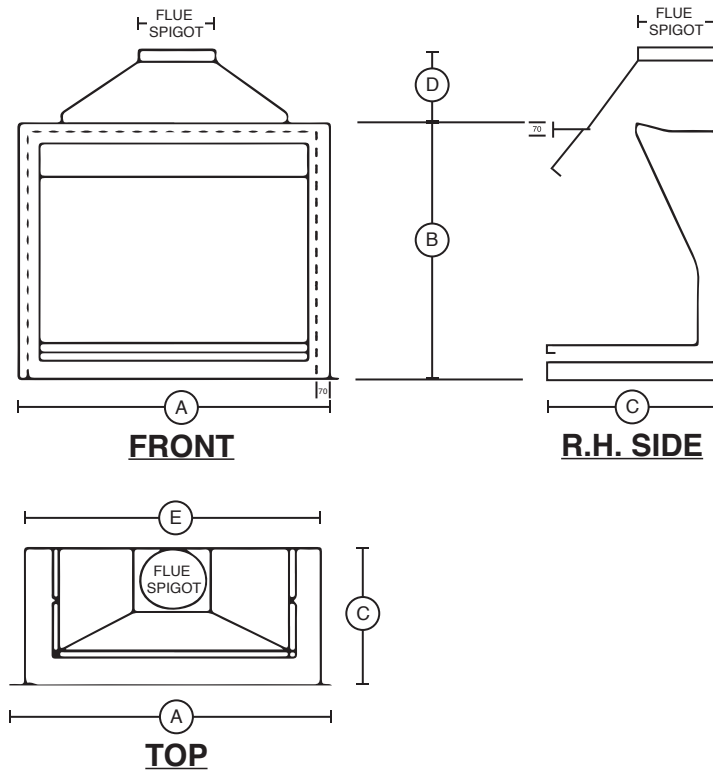
Slide out ash pan

Can be positioned on a timber floor

Timber frame for new installs with non combustible enclosure

Conceived, designed and built in Australia

LIGNA



	A	B	C	D	E	Flue Diameter (mm)		Heats up to (m2)
						Inner	Outer	
700	780	706	450	205	680	229	280	165
800	900	715	475	230	800	254	305	185
900	1020	780	500	260	920	280	330	200

All measurements in millimetres (mm)

Note: The m2 heating capacity will vary depending on location, insulation values and other thermal influences. Speak with your sales consultant if unsure.

The Real Flame Ligna series has been tested and certified to AS2918-1990 for safe installations and AS4013 for low emission (Exempt)

WARRANTY

Firebox: 15 Years Components: 2 Years

VISIT WWW.REALFLAME.COM.AU FOR MORE TECHNICAL INFORMATION.

