

ELEMENT 1200 & 1800 DOUBLE SIDED FLAME EFFECT SPACE HEATER XLC FLUE CONFIGURATIONS

POLYPROPYLENE FLUE INSTALLATION

SUPPLEMENT INSTRUCTION MANUAL

The Element 1200 & 1800 Double Sided space heaters are suitable to be installed into a frame out installation.

Designed to operate on Natural gas and LPG

Approval no.GMK 10441

VERSION 5E

WARRANTY INFORMATION

The benefits provided to you under the following warranty are in addition to any other rights and remedies available to you under the law.

1. Warranty

If:

- (a) during the first 15 years from the date of purchase (Firebox Warranty Period), there is a defect in the firebox of the Gas Burner; or
- (b) during the first 2 years from the date of purchase (Parts Warranty Period), there is a defect in the gas valves or other parts of the Gas Burner,
due to improper workmanship or material, Glen Dimplex will replace or repair the Gas Burner without charge. Any replacement product is warranted only for the time remaining on the original Firebox Warranty Period or the Parts Warranty Period as relevant.

2. Registration

You must register to receive the benefit of this warranty by completing the warranty registration on our website (www.realflame.com.au) or completing and mailing the attached registration card within 30 days of purchase of your Gas Burner (or, if the Gas Burner is fitted to a new home, within 30 days of the date of settlement of purchase of such new home).

3. Exclusions

Glen Dimplex is not obliged to replace or repair the Gas Burner under clause 1 if:

- (a) it has been improperly stored, installed, connected, used, operated or repaired, or damaged, abused, tampered with, altered (without our written approval), or not maintained in strict accordance with our installation and operating instructions; or
- (b) it has been installed in an outdoor setting.

4. Limit of Liability

The warranty provided under this warranty is limited to replacement or repair of the Gas Burner only, at our option. To the extent permitted by law, Glen Dimplex excludes liability for consequential loss or any other loss or damage caused to property or persons arising from any cause whatsoever, and damage arising from normal wear and tear.

5. Claiming under the Warranty

In order to claim under this warranty you must, within the Firebox Warranty Period or the Parts Warranty Period (as relevant), contact Glen Dimplex, providing the original proof of purchase and the details below:

Supplier Name _____

Date Of Purchase / settlement of property if new home _____

Model / Serial Number _____

This warranty does not cover the cost of claiming under the warranty or transporting the Glen Dimplex Gas Burner to and from the supplier.

Our goods come with guarantees that cannot be excluded under the Australian Consumer Law. You are entitled to a replacement or refund for a major failure and for compensation for any other reasonably foreseeable loss or damage. You are also entitled to have the goods repaired or replaced if the goods fail to be of acceptable quality and the failure does not amount to a major failure.

If you would like to speak to someone about your Gas Burner or claiming under this warranty, please contact the Service Warranty Desk on 1300 554 155.

Glen Dimplex Australia Pty Ltd ACN 69 118 275 460
Head Office: 1340 Ferntree Gully Road, Scoresby 3179
Telephone: (03) 8706 2000 Facsimile: (03) 8706 2001

INSTALLATION NOTICE

- The installation of this appliance is only to be carried out by an authorised person in accordance with the Manufacturer's Instructions, local gas fitting regulations, AS/NZS5601.1-2013 installation code for gas burning appliances and any other relevant statutory regulations.
- In all cases the installation of this appliance shall meet the requirements as set out in AS/NZS5601.1-2013.
- Do not install in a fireplace as a Type 1 installation.
- Not intended as a fireplace insert.

- **NOTE:** A slight smell may be apparent for the first few hours of use. This is due to the heat resistant paint curing. It is recommended to open windows in the room for the first lighting of the fire. In some instances a slight discolouration may occur inside the firebox. This is a normal condition and is not covered by warranty.

WARNING

The Element 1200 & 1800 double sided space heaters have a primary safety glass fitted. This safety glass is fitted to these appliances to reduce the risk of injury from burns and at no time should this glass be permanently removed.

For protection of young children or the infirm, a secondary guard is required.

The appliance is not intended for use by persons (including children) with reduced physical, sensory or mental capabilities, or lack of experience and knowledge, unless they have been given supervision or instruction concerning use of the appliance by a person responsible for their safety. Children should be supervised to ensure that they do not play with the appliance.

WARNING

The glass panel gets extremely hot! Precaution should be taken and young children supervised at all times when the heater is operating.

IMPORTANT SAFETY NOTICE

- DO NOT PLACE ARTICLES ON OR AGAINST THIS APPLIANCE.
- DO NOT USE OR STORE FLAMMABLE MATERIALS IN OR NEAR THIS APPLIANCE.
- DO NOT SPRAY AEROSOLS IN THE VICINITY OF THIS APPLIANCE WHILST IT IS IN OPERATION.
- CARE MUST BE TAKEN TO ENSURE THAT ANY RETURN AIR REGISTER OR EXHAUST SYSTEM DOES NOT ADVERSLEY AFFECT THE OPERATION OF THE APPLIANCE OR DRAUGHT OF CHIMNEY OR FLUE.
- DO NOT MODIFY THIS APPLIANCE.
- APPLIANCE IS DESIGNED TO OPERATE WITH LUMINOUS FLAMES. MAY EXHIBIT SLIGHT CARBON DEPOSIT.

SERVICING

It is recommended you service your gas fire every 2 years as a minimum.

CORD REPLACEMENT

Electrical cord replacement must be undertaken by qualified and trained personnel only.

CONTENTS

Contents4

Double Sided Standard 5 -13.5m - Wall Mounted Fan5

Installation instructions6

Poly Pro General Installation Requirements7

Setup With External Wall Mounted Fan Terminal10

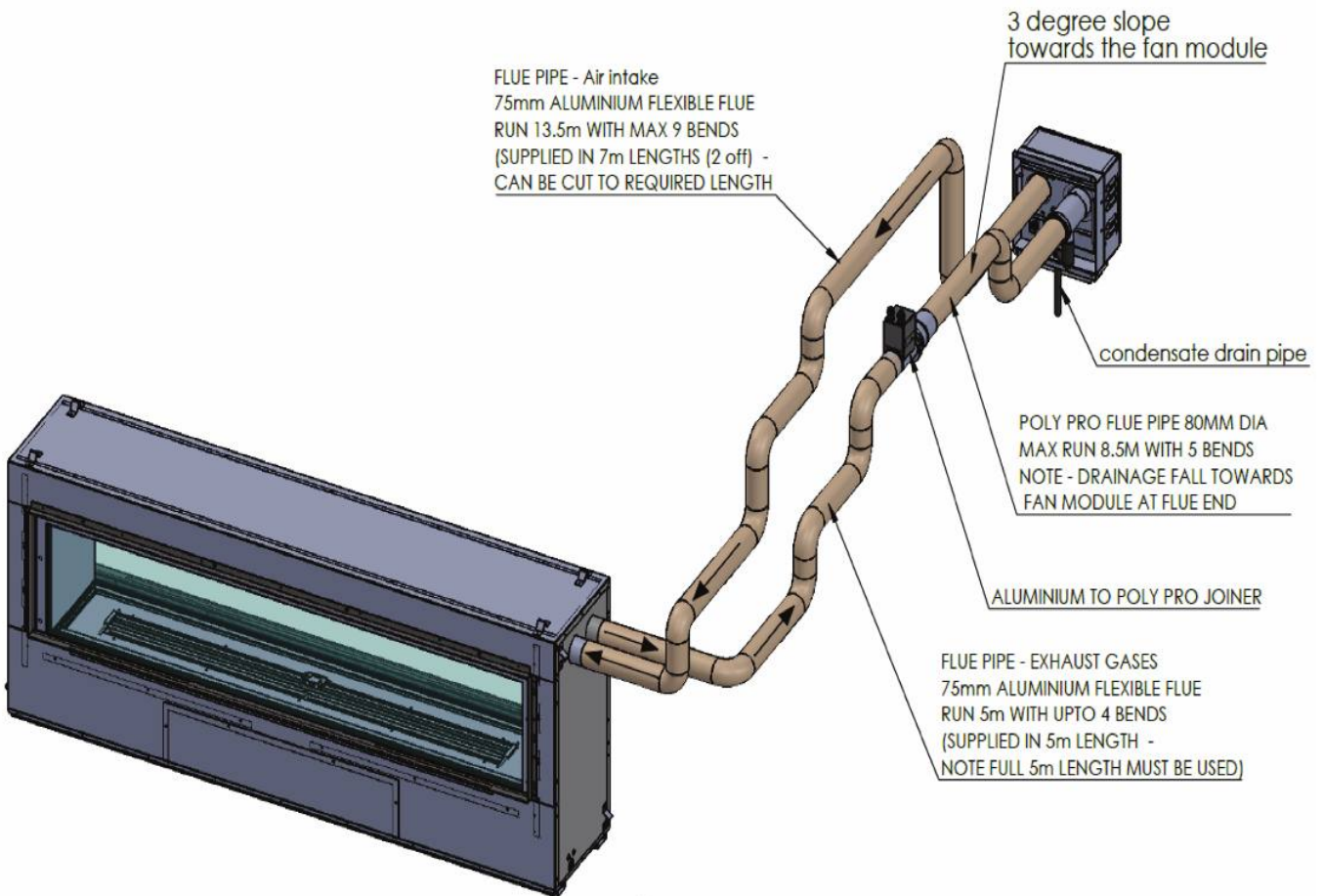
Installation instructions (Continued).....11

Double Sided Flue Termination.....35

Glen Dimplex contact information.....36

DOUBLE SIDED STANDARD 5 -13.5M - WALL MOUNTED FAN

13.5mts condensing flue run with poly pro



INSTALLATION INSTRUCTIONS

INSTALLATION CODES

Note appliance gas type – Natural gas or LPG. Should the appliance be the incorrect gas type, please contact the supplier and refer to conversion instructions.

Installers – Please ensure the installation and instruction manuals supplied with this appliance are supplied to the customer and the customer is trained on how to operate the appliance correctly.

Do not modify the appliance.

Do not exceed maximum rated pressures.

Appliance must be installed with gas installation code (AS/NZS5601) and applicable electrical installation code (AS3000).

Test for gas leaks prior to operating appliance.

Check gas pressures and adjust if incorrect.

FLUE CONFIGURATIONS

For flue configurations 0-5m (aluminium flexible flue only) – Refer to Element 1200 & 1800 double sided instruction booklet.

Where lengths greater than 5m are required the inlet is run completely in aluminium flexible flue, the first 5m of the outlet flue (hot exhaust) is run in flexible aluminium flue, then a poly flue system is used that requires drainage points to allow for condensation removal. – Note drain fall direction is different for rooftop flues. – Refer XLC Rooftop instruction.

Aluminium flue connections must be sealed with a suitable sealant.

Recommended Silicon – Non-acetic, neutral cure 150degc or higher temperature rated. Bostik RTV 926 or similar

Wall mounted fan module – terminal must be installed with clearances as specified by AS/NZS 5601.

Run air intake flue as required – Maximum run 14m. Flues can be run next to each other. Maintain clearances to combustibles

INSTALLATION INSTRUCTIONS (continued)

FLUE TERMINATION LOCATION

This section is used to determine where your flue termination will be located.

- Flue terminations shall not be recessed in walls or sidings.
- **EXTREMELY IMPORTANT:** In heavy snow areas take extra care to prevent blocking flue termination with snow removal equipment.
- Flue gases exiting flue terminals are very hot and must not be restricted to assure fireplace combustion is not affected.
- Do not place, build any obstruction, plant any bushes or for any reason attempt to conceal the flue termination. To do so will affect the operation of the fireplace and may be hazardous.
- This unit must always vent directly to outdoors.

Condensate disposal

Where possible the condensate drainage pipe should terminate at a suitable foul water discharge point, eg waste drain point washing machine waste point etc.

The HepVO waterless trap should be installed where access can be maintained.

A P-trap can be used as an option instead of the HepVo waterless trap.

Do not discharge condensate onto walkways, electrical connections, earth stakes, copper pipes, waterways, ponds etc.

POLY PRO GENERAL INSTALLATION REQUIREMENTS

Refer to specific setups for detailed installation guides.

⚠ WARNING

CARBON MONOXIDE POISONING HAZARD. Failure to follow the steps outlined below for each appliance connected to the venting system being placed into operation could result in carbon monoxide poisoning or death.

⚠ WARNING

Risk of carbon monoxide poisoning or fire due to joint separation or pipe breakage.

Poly Pro flue systems meets Flame spread/ Smoke ratings <25/<50 (per UL-723 ASTM E-84 and ULC-S102) when used in conjunction with the below noted materials.

- 3m Fire barrier Plenum wrap 5A+
- Unifrax FyreWrap 0.5 Plenum insulation
- Knauf Insulation – Atmosphere Duct wrap with ECOSE

Use soapy water to lubricate gaskets and tubes.

DO NOT USE petroleum based lubricants.

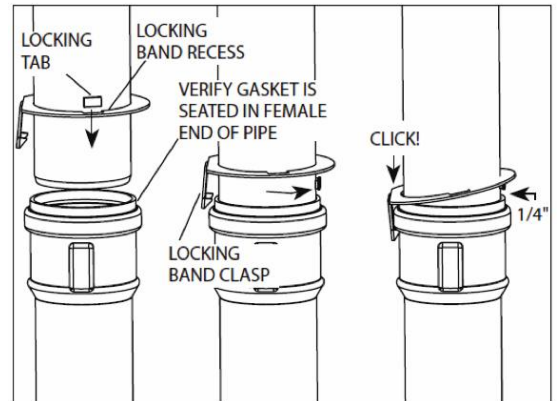
POLY PRO GENERAL INSTALLATION REQUIREMENTS (continued)

Joint Connections

Verify the gasket is seated evenly inside the groove in the female end. For PP/Metal pipe with a locking tab, slide locking band on male pipe section. Insert locking tab into locking band recess, rotate button away from locking band clasp, insert pipe sections, push lock band clamp downward into socket, disengage socket/tab 1/4" - 5/8" from socket.

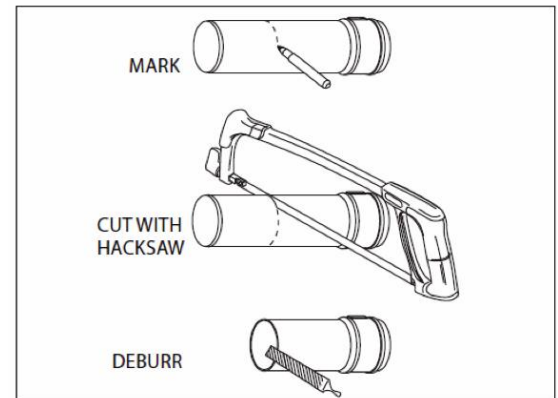
Screws are not allowed for joint connection. Never penetrate the wall of PolyPro vent pipe. (Exception - a SS screw may be used outside the building on exterior termination fittings to orient an elbow, etc.)

- **IMPORTANT:** Locking bands are mandatory on all exhaust vent joints.



Installation

1. Pipe lengths may be cut to length. Use an alternative clamp (PPS-PAC/PPS-LBC) for the connection if a locking tab is removed.
 - Cut square (not an angle) to the end of the pipe.
 - Remove burrs before assembly.



2. Check with appliance manufacturer for any restrictions or limits on vent length, number of elbows, etc.
3. The slope of the vent pipe must be at least 3° (50mm per meter) back to the appliance.
4. Every horizontal section must be supported.
5. The venting system shall be securely supported using suitable hangers. Duravent hardware is recommended; field supplied support hardware suitable to the AHJ is acceptable, hardware must not deform on damage the vent. Make sure the load on the vent system is not supported by the appliance.

On Duravent and other certain clamp styles, 1/4" or greater All-thread may be used as an extension.

6. Vertical installations must be supported every 3 meters or less.
7. Elbows and tees are sufficiently supported when a bracket is fixed at the female end of the connected straight section.

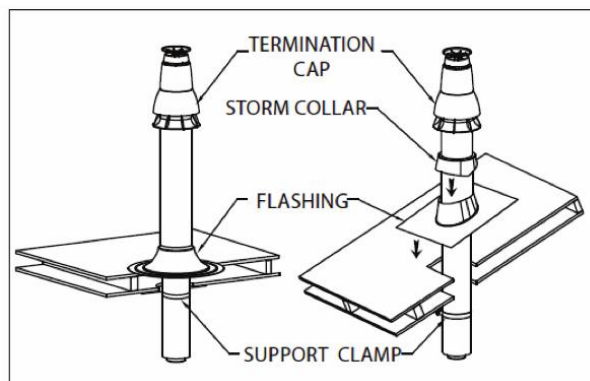
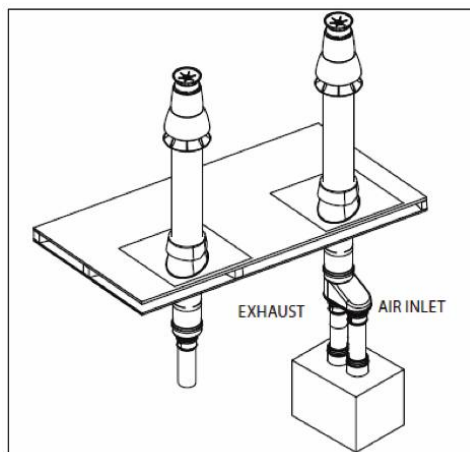
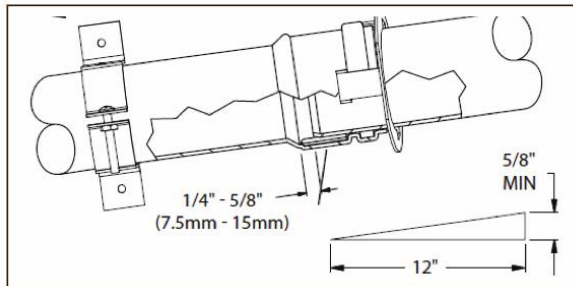
POLY PRO GENERAL INSTALLATION REQUIREMENTS (continued)

Vertical Concentric

1. Locate penetration.
2. Cut hole in roof.
3. Cut hole in ceiling above appliance.

Cut hole(s) big enough for pipe in all ceilings above appliance if installing in a multi storey installation.
4. Firestop each ceiling penetration.
5. Attach flashing to roof.

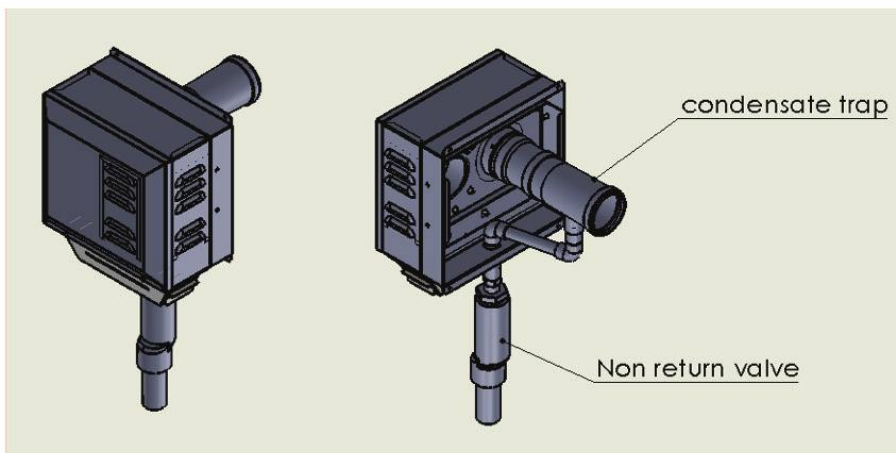
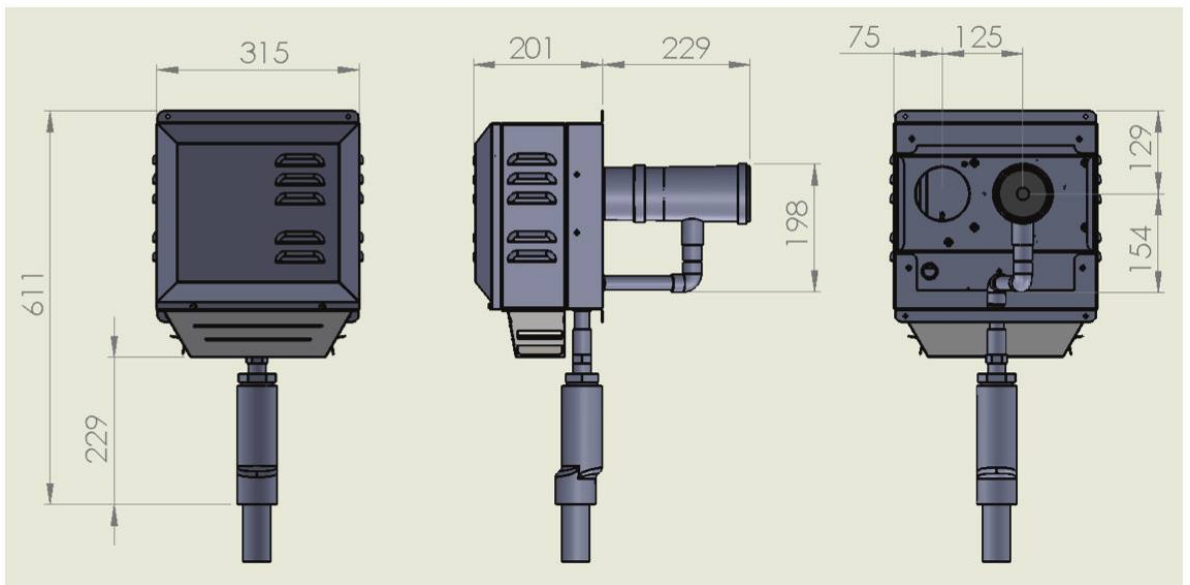
Slide storm collar onto flashing if using the adjustable roof flashing.
6. Slide vertical termination into flashing from above until seated on flashing.
7. Plumb termination and mount support bracket to structure.



SETUP WITH EXTERNAL WALL MOUNTED FAN TERMINAL

- Maximum 13.5m flue length
- Instructions are in 3 sections
- 3. Intake pipe connection
- 4. Flue exhaust connections
- 5. Wall mount controller setup

Wall mounted fan terminal



IMPORTANT INSTALLATION NOTES

- Flexi flue must be fully extended to length. 5m for exhaust flue and 2 x 7m for inlet.
- 5m of flexi flue on the exhaust side **MUST** be used before prior to converting to polypropylene. Failure to do this will result in appliance shutdown.

INSTALLATION INSTRUCTIONS

Intake pipe connection to appliance



Flexi flue is provided for air intake. A maximum of 2 x 7m lengths can be used.

Cut tube to length where required.

Ensure ends are burr free and round, test fit flue will slide over connection.



Recommended Silicon – Non-acetic, neutral cure 150°C or higher temperature rated.

Bostik RTV 926 or similar.

Apply an 8mm thick silicon bead fully around heater connection approx. 10mm from the top.



Apply an 8mm silicon bead fully around the inside of the flue end (heater connection end)

Fit flue clamp over flue (loosely).

INSTALLATION INSTRUCTIONS (continued)



Slide flue onto connection spigot fully.
Tighten clamp fully.
Wipe excess silicon, visually check connection to ensure connection is fully sealed.

Intake pipe joiner connection



Ensure ends are burr free and round, test fit flue will slide over connection joiner.



Apply an 8mm thick silicon bead fully around both ends of connector approx. 10mm from the ends.

INSTALLATION INSTRUCTIONS (continued)

Intake pipe joiner connection (continued)



Apply an 8mm silicon bead fully around the inside of the flue ends.

Fit flue clamp over flue ends (loosely).



Slide each flue halfway onto connection joiner.

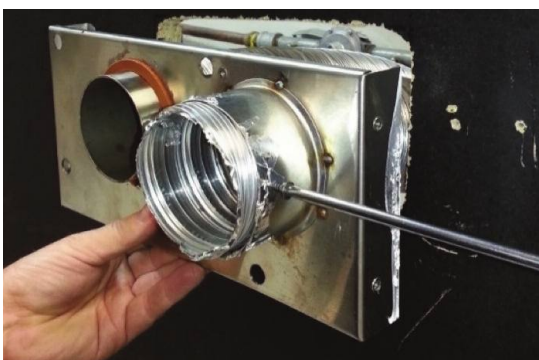
Tighten clamp fully.

Wipe excess silicon, visually check connection to ensure connection is fully sealed.

Intake connection to wall mounted fan terminal



Cut air intake flue to length (Approximately 70mm through wall exit). Connection plate will sit against wall.



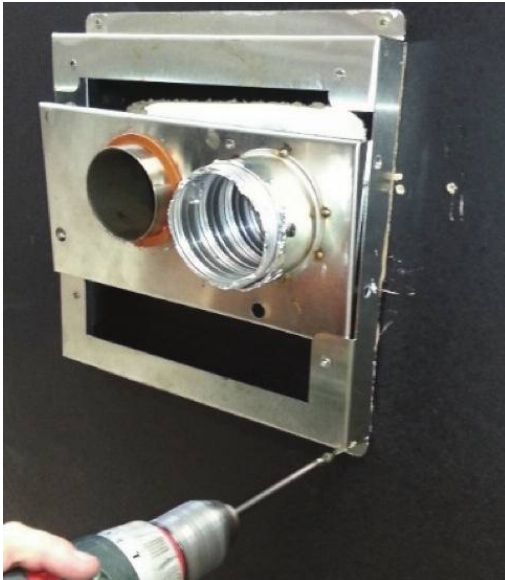
Ensure ends are burr free and round, test fit flue will slide over connection.

Feed air intake flue pipe through location spigot and fit retaining screw.

Push connection plate into approximate position.

INSTALLATION INSTRUCTIONS (continued)

Intake connection to wall mounted fan terminal (continued)



Locate wall mounting bracket into position and affix to wall.



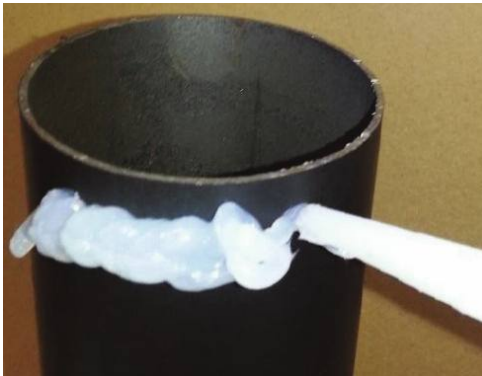
Assemble spigot connection plate assembly to wall mounting bracket. (4 screws)

INSTALLATION INSTRUCTIONS (continued)

Flue exhaust connections - Inlet connection to appliance



Note: The full 5m of flexi flue must be used.
Fully extend the 5m aluminium flexi flue. NOTE FULL LENGTH MUST BE USED.
Ensure ends are burr free and round, test fit flue will slide over connection.



Apply an 8mm thick silicon bead fully around heater connection approx. 10mm from the top.



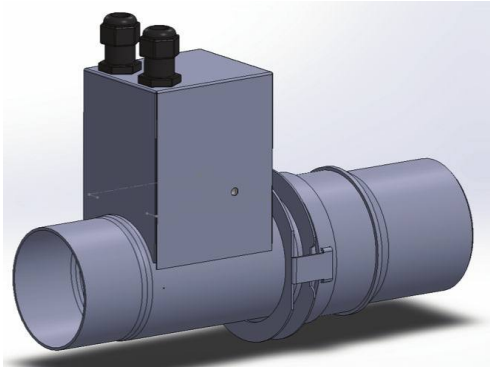
Apply an 8mm silicon bead fully around the inside of the flue ends.
Fit flue clamp over flue ends (loosely).



Slide flue onto connection spigot fully.
Tighten clamp fully.
Wipe excess silicon, visually check connection to ensure connection is fully sealed.

INSTALLATION INSTRUCTIONS (continued)

Aluminium to Poly Pro flue connection



Note: A total of 5m of aluminium flexi flue must be used prior to the joiner. Failure to do this will result in appliance shutdown.



Apply sealant to flue inner and connector.



Apply sealant to flue inner and connector.



Fit flue clamp over flue (loosely).
Slide flue onto connection spigot fully.
Tighten clamp fully.
Wipe excess silicon, visually check connection to ensure connection is fully sealed.

INSTALLATION INSTRUCTIONS (continued)

Poly Pro to Poly Pro flue connection

Verify gasket is sitting correctly.

Apply a light soapy water film to the gasket and tube end.

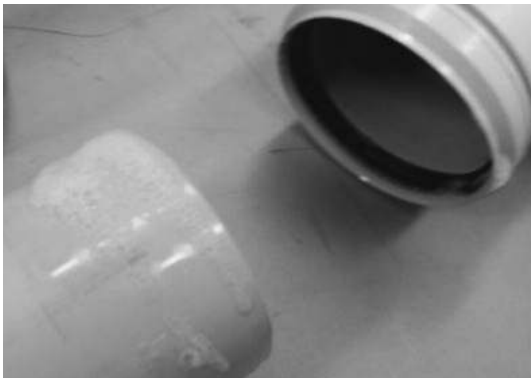
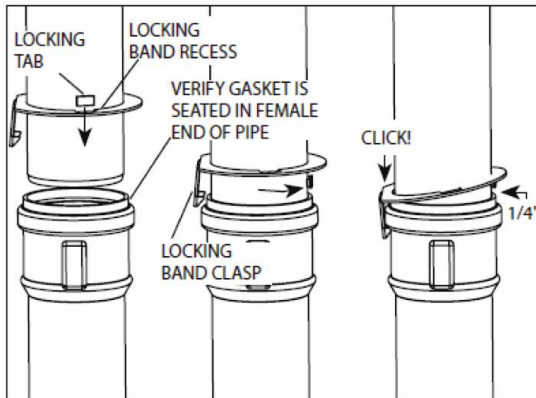
Insert pipe fully into end fitting, Pipe will push in smoothly and evenly, should this not occur remove pipe and reseal gasket. Reapply light soapy film to ensure easy fit.

Rotate clip so catch is opposite the location tab

Clip catch into place to prevent flue pipes from separating.

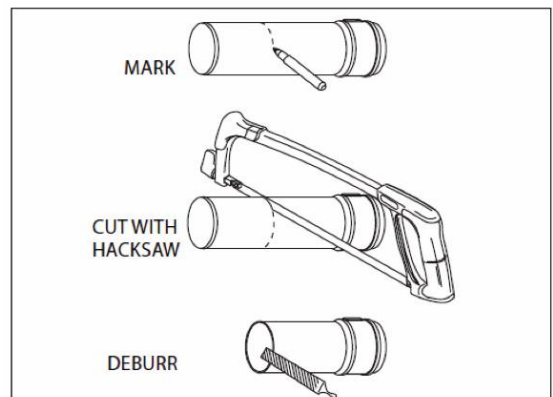
Ensure pipes are clipped adequately.

Ensure a minimum of 3deg fall occurs towards the drain end.



Installation

1. Pipe lengths may be cut to length. Use an alternative clamp (PPS-PAC/PPS-LBC) for the connection if a locking tab is removed.
 - Cut square (not an angle) to the end of the pipe.
 - Remove burrs before assembly.
2. Check with appliance manufacturer for any restrictions or limits on vent length, number of elbows, etc.
3. The slope of the vent pipe must be at least 3° (50mm per meter) back to the appliance.
4. Every horizontal section must be supported.



INSTALLATION INSTRUCTIONS (continued)

Poly Pro to wall mounted fan module connection

Ensure mounting plate is affixed to wall bracket.
Verify gasket is sitting correctly in condensate drain connection.

Apply a light soapy water film to the gasket and the tube end.

Insert pipe fully into end fitting, Pipe will push in smoothly and evenly, should this not occur remove pipe and reseal gasket. Reapply light soapy film to ensure easy fit.

Tighten hose clamp to restrain flue in place.



Wall Mounted fan module setup

Wall mounted fan module – terminal must be installed with clearances as specified by AS/NZS 5601.

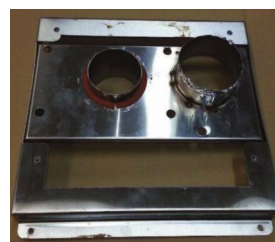


Remove cover from fan terminal

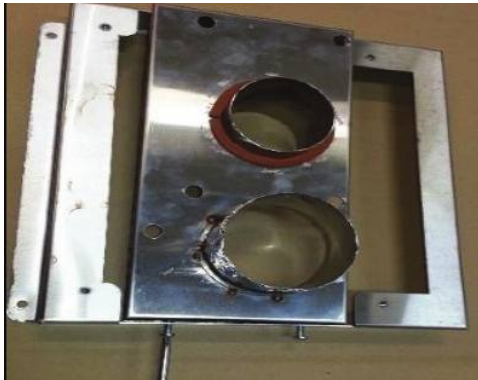
Remove main assembly from the rear wall mounting plate assembly.

Remove the 5 screws as shown. (Do not remove fan plate screws)

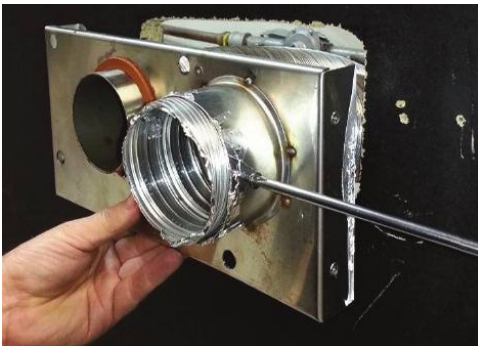
Lift off main fan terminal assembly.



INSTALLATION INSTRUCTIONS (continued)



Remove wall mount plate from flue connection plate.

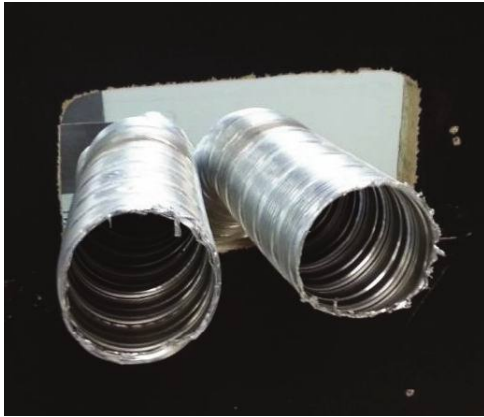


Push connection plate into approximate position.



Locate wall mounting bracket into position and affix to wall.

INSTALLATION INSTRUCTIONS (continued)



Locate terminal on wall and predrill mounting holes where required.

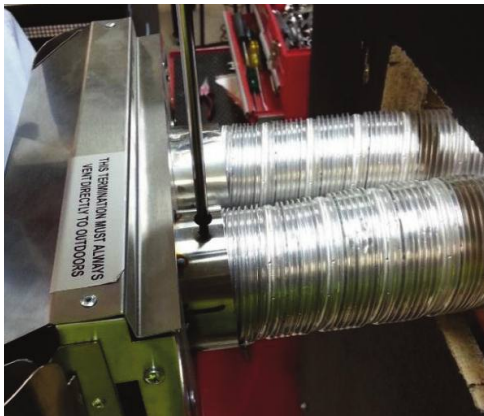
Cut flue exhaust tube (hot tube) to length (Flue must extend a minimum of 50mm past the exit face of wall.) It is recommended that the tubes are cut slightly longer and pushed back into wall upon fixing of wall terminal. Allow flue movement between terminal and last flue hanging clip.

Cut Air intake as per flue exhaust.

Ensure ends are burr free and round, test fit flue will slide inside both the hot exhaust connection and air intake connection.



Feed air hot exhaust flue into connection, ensure inserted 50mm. Fit retaining screw from below.



Feed air intake flue into connection, ensure inserted 50mm. Fit retaining screw from below.

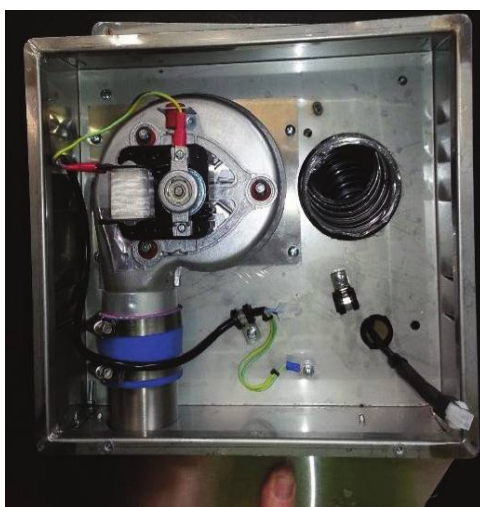
INSTALLATION INSTRUCTIONS (continued)



Assemble spigot connection plate assembly to wall mounting bracket. (4 screws)



Feed power cable through bottom area of bracket.



Assemble main body assembly onto wall mounting bracket, feed power cable through grommet hole prior to fitting. (refit 5 screws as shown and tighten) Main body assembly must sit flush up against the mounting bracket and seal.

INSTALLATION INSTRUCTIONS (continued)



Connect power cable connector.
Fit cable clamp to cable.

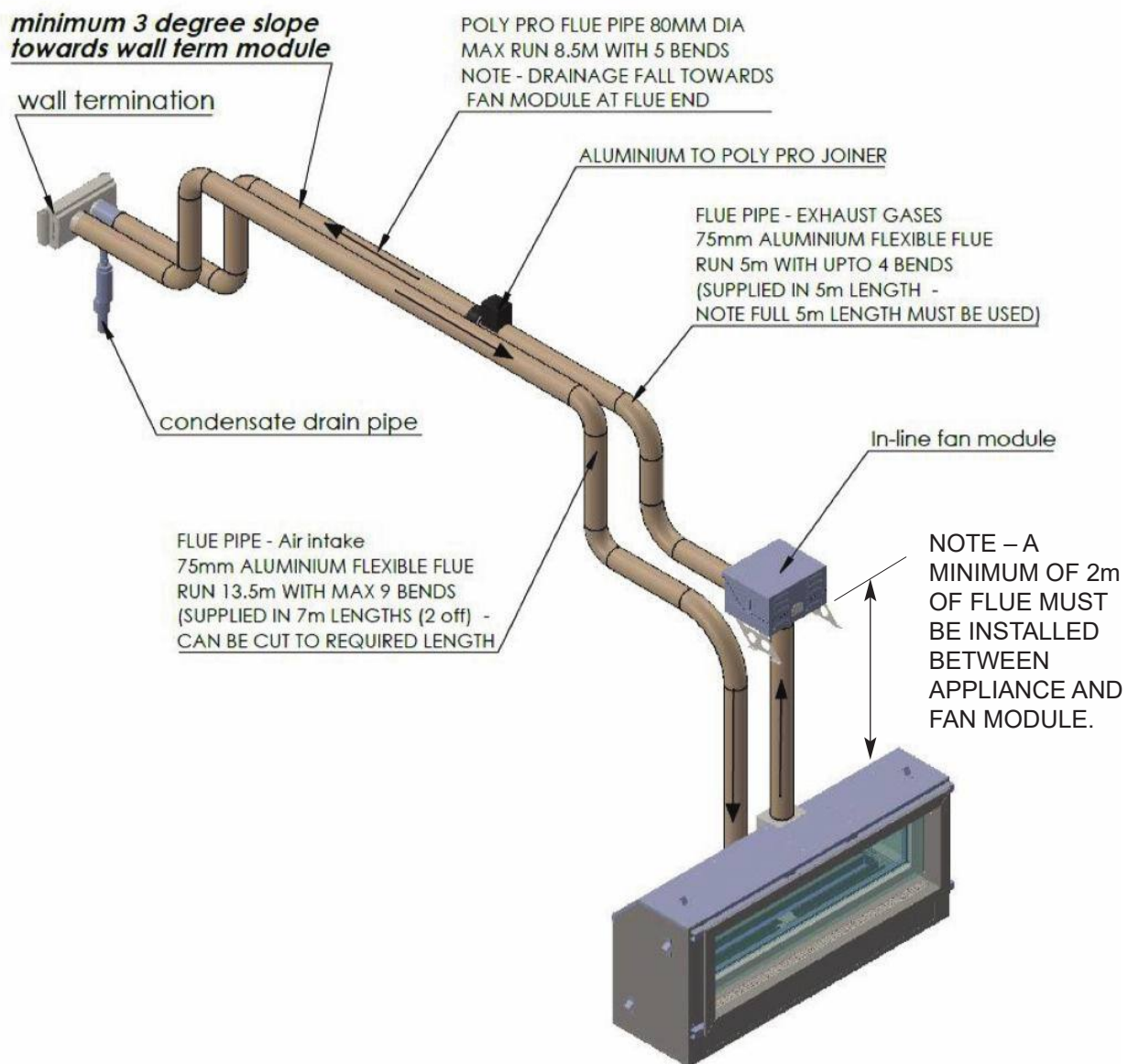


Fit front cover.

INSTALLATION INSTRUCTIONS (continued)

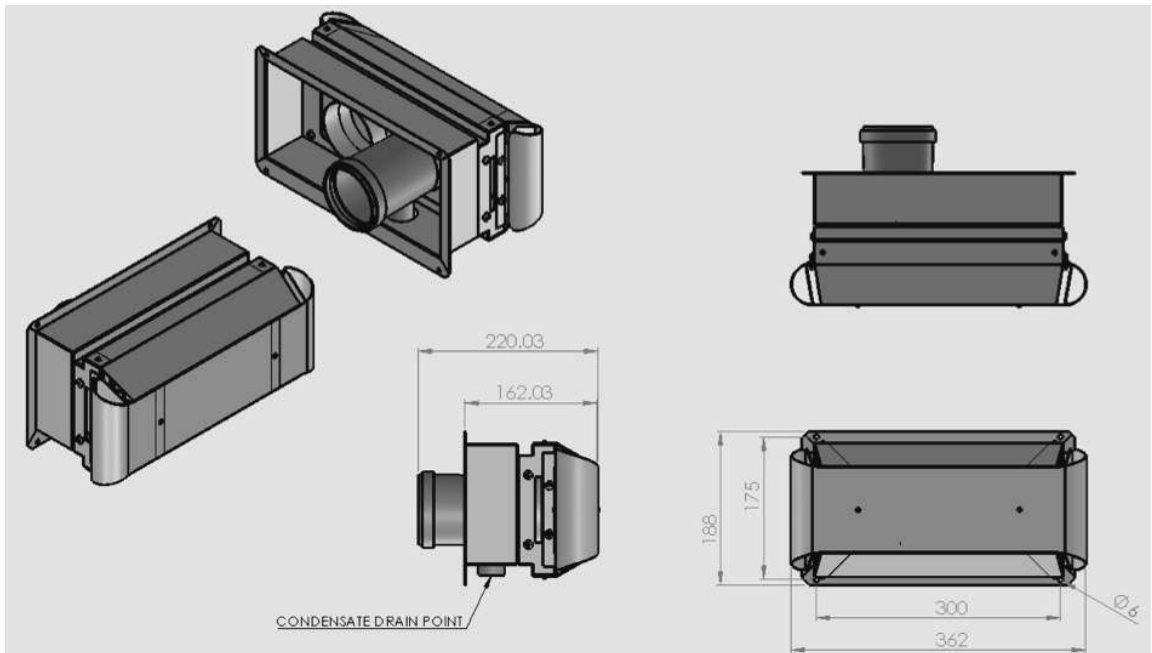
SETUP WITH APPLIANCE MOUNTED FAN OR INLINE MOUNTED FAN AND WALL TERMINAL

- Maximum 13.5m flue length
 Instructions are in 3 sections
 - Intake pipe connection
 - Flue exhaust connections
 - Wall terminal setup



NOTE - A MINIMUM OF 3 DEG. DRAINAGE FALL MUST BE INSTALLED IN THE POLY PRO FLUE. DRAINAGE DIRECTION IS TOWARDS THE WALL TERMINAL AT THE END OF THE FLUE.

INSTALLATION INSTRUCTIONS (continued)



IMPORTANT INSTALLATION NOTES

- Flexi flue must be fully extended to length. 5m for exhaust flue and 2 x 7m for inlet.
- 5m of flexi flue on the exhaust side **MUST** be used before prior to converting to polypropylene. Failure to do this will result in appliance shutdown.

Air intake pipe - Intake pipe connection to appliance



Cut flue to length to suit connection.

Ensure ends are burr free and round, test fit flue will fit over connection.

Recommended Silicon – Non-acetic, neutral cure 150degc or higher temperature rated.

Bostik RTV 926 or similar.



Apply an 8mm thick silicon bead fully around heater connection approx. 10mm from the top.

INSTALLATION INSTRUCTIONS (continued)

Air intake pipe - Intake pipe connection to appliance (continued)



Flexi flue is in 7m lengths. A maximum of 2 lengths can be used.

Apply an 8mm silicon bead fully around the inside of the flue end (heater connection end)

Fit flue clamp over flue (loosely).



Slide flue onto connection spigot fully.

Tighten clamp fully.

Wipe excess silicon, visually check connection to ensure connection is fully sealed.

Air intake pipe - Intake pipe joiner connection



Ensure ends are burr free and round, test fit flue will slide over connection joiner.

INSTALLATION INSTRUCTIONS (continued)

Air intake pipe - Intake pipe joiner connection (continued)



Apply an 8mm thick silicon bead fully around both ends of connector approx. 10mm from the ends.



Apply an 8mm silicon bead fully around the inside of the flue ends.

Fit flue clamp over flue ends (loosely).



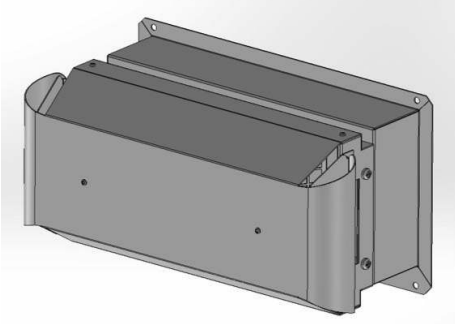
Slide each flue halfway onto connection joiner.

Tighten clamp fully.

Wipe excess silicon, visually check connection to ensure connection is fully sealed.

INSTALLATION INSTRUCTIONS (continued)

Air intake pipe - Intake connection to wall mounted fan terminal



Locate terminal on wall and predrill mounting holes where required.

Cut flue inlet tube to length (Flue must extend a minimum of 50mm past the exit face of wall.) It is recommended that the tubes are cut slightly longer and pushed back into wall upon fixing of wall terminal. Allow flue movement between terminal and last flue hanging clip.

Ensure ends are burr free and round, test fit flue will slide inside both the hot exhaust connection and air intake connection.

Feed air intake flue into connection, ensure inserted 50mm. Fit retaining screw from below.

Push terminal into approximate position and affix onto wall.

Flue Exhaust Connections - Connection to fan module at appliance



Check flue piece for correct shape and fitment onto appliance spigot.

Ensure ends are burr free and round, test fit flue will slide over connection.

NOTE: A minimum of 2m of flue must be run between appliance and fan module.

Recommended Silicon – Non-acetic, neutral cure 150degc or higher temperature rated.

Bostik RTV 926 or similar.

Apply an 8mm thick silicon bead fully around heater connection approx. 10mm from the top.

Apply an 8mm thick silicon bead fully around the lower fan connection spigot approx. 10mm from the end.



INSTALLATION INSTRUCTIONS (continued)

Flue Exhaust Connections - Connection to fan module at appliance (continued)



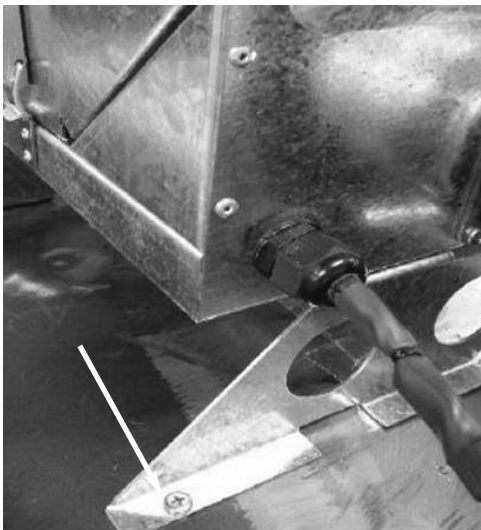
NOTE: 5m of flexi flue on the exhaust side MUST be used before prior to converting to polypropylene, 2m of which is between fan module and appliance. Failure to do this will result in appliance shutdown.

Apply an 8mm silicon bead fully around the inside of the flue end, both ends.

NOTE: A minimum of 2m of flue must be installed between the appliance and fan module. Failure to do this will result in appliance shutdown.

Fit flue clamp and tighten clamp fully.

Wipe excess silicon, visually check connection to ensure connection is fully sealed.



Fit 2nd flue clamp loosely onto the 2m flue section.

Mount fan module onto supports.

INSTALLATION INSTRUCTIONS (continued)

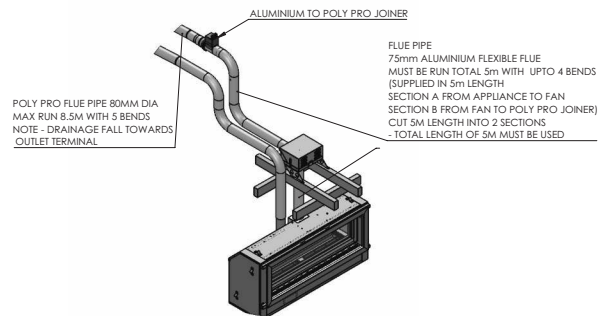
Flue Exhaust Connections - Fit hot exhaust flue pipe from outlet termination to fan outlet connection

Cut tube to length where required.

Ensure ends are burr free and round, test fit flue will slide over connection.



5m of flexi flue on the exhaust side **MUST** be used before prior to converting to polypropylene. Failure to do this will result in appliance shutdown.



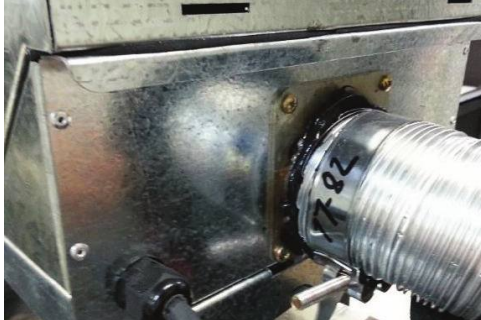
Apply an 8mm thick silicon bead fully around heater connection approx. 10mm from the top.

Apply an 8mm silicon bead fully around the inside of the flue end (heater connection end)

Fit flue clamp over flue (loosely).

INSTALLATION INSTRUCTIONS (continued)

Flue Exhaust Connections - Fit hot exhaust flue pipe from outlet termination to fan outlet connection (continued)



Slide flue onto connection spigot fully.

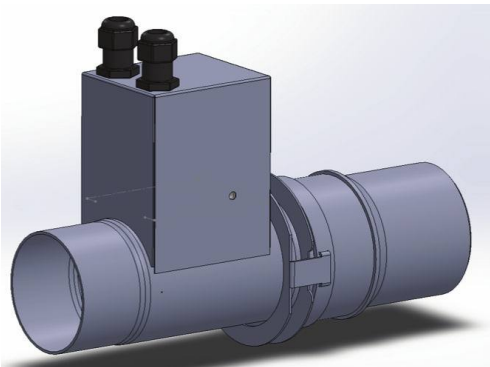
Tighten clamp fully.

Wipe excess silicon, visually check connection to ensure connection is fully sealed.



Connect power cable to fan module

Flue Exhaust Connections - Aluminium to Poly Pro flue connection



Ensure ends are burr free and round, test fit flue will slide over connection joiner.



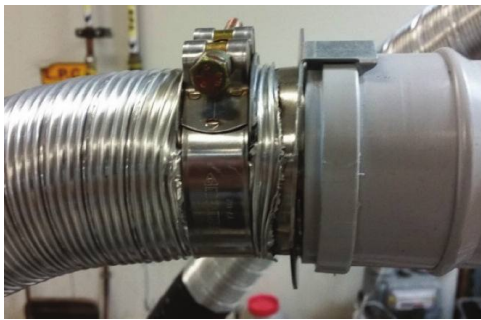
Apply sealant to flue inner and connector.

INSTALLATION INSTRUCTIONS (continued)

Flue Exhaust Connections - Aluminium to Poly Pro flue connection (continued)



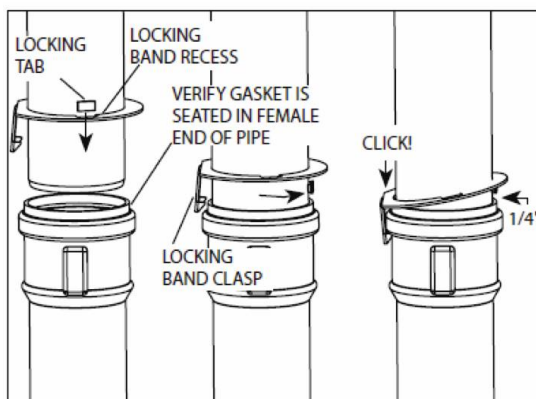
Fit flue clamp over flue (loosely).
 Slide flue onto connection spigot fully.
 Tighten clamp fully.
 Wipe excess silicon, visually check connection to ensure connection is fully sealed.



Apply soapy water to oring in Poly Pro flue and dampen surface of connector.
 Push connector fully into Poly pro end connection.
 Push both clips over to lock into place.

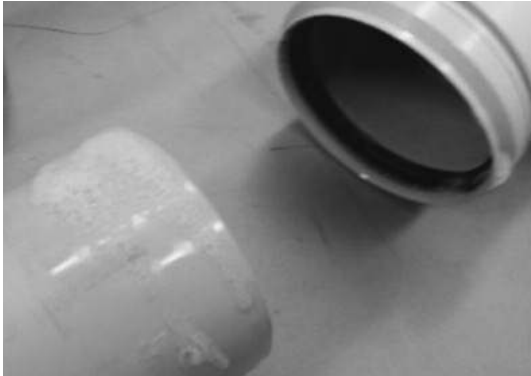
Flue Exhaust Connections - Poly Pro to Poly Pro flue connection

Verify gasket is sitting correctly.
 Apply a light soapy water film to the gasket and tube end.
 Insert pipe fully into end fitting, Pipe will push in smoothly and evenly, should this not occur remove pipe and reseal gasket. Reapply light soapy film to ensure easy fit.
 Rotate clip so catch is opposite the location tab
 Clip catch into place to prevent flue pipes from separating.
 Ensure pipes are clipped adequately.
 Ensure a minimum of 3deg fall occurs towards the drain end.



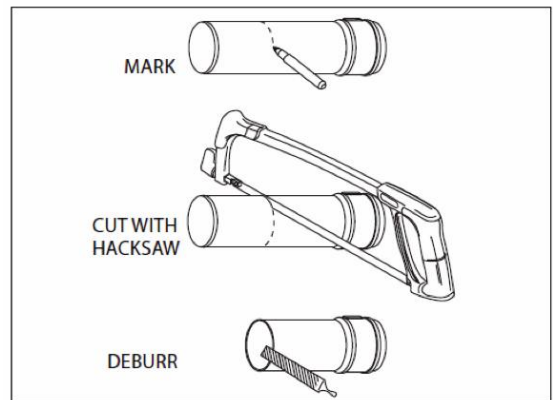
INSTALLATION INSTRUCTIONS (continued)

Flue Exhaust Connections - Poly Pro to Poly Pro flue connection (continued)



Installation

1. Pipe lengths may be cut to length. Use an alternative clamp (PPS-PAC/PPS-LBC) for the connection if a locking tab is removed.
 - Cut square (not an angle) to the end of the pipe.
 - Remove burrs before assembly.
2. Check with appliance manufacturer for any restrictions or limits on vent length, number of elbows, etc.
3. The slope of the vent pipe must be at least 3° (50mm per meter) back to the appliance.
4. Every horizontal section must be supported.



Flue Exhaust Connections - Poly Pro to Wall mounted terminal

Ensure terminal is affixed to the wall.

Verify gasket is sitting correctly in condensate drain connection.

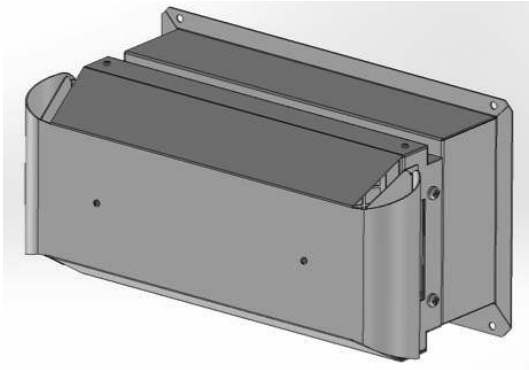
Apply a light soapy water film to the gasket and the tube end.

Insert pipe fully into end fitting, Pipe will push in smoothly and evenly, should this not occur remove pipe and reseal gasket. Reapply light soapy film to ensure easy fit.

Tighten hose clamp to restrain flue in place.

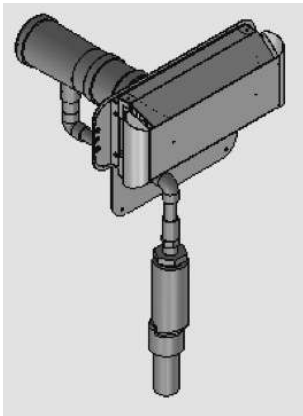
INSTALLATION INSTRUCTIONS (continued)

WALL TERMINAL WITH CONDENSATE MOUNTING



Locate terminal on wall and predrill mounting holes where required.

Markout the required penetration area. Cutout the area in wall for the flue pipes and condensate drain. (NOTE - Access to rear of terminal may be required to assemble flue) Where access is not available a single large cutout is required for the flues and the condensate drain.



Cut inlet air tube. Flue must extend a minimum of 50mm past the exit face of wall.) It is recommended that the intake tube is cut slightly longer and pushed back into wall upon fixing of wall terminal. Allow flue movement between terminal and last intake flue hanging clip.

Attach intake flue using the self tapping screw.

Ensure condensate drain retaining clamp is tight.



Push terminal into approximate position and affix onto wall

INSTALLATION INSTRUCTIONS (continued)

WALL TERMINAL WITH CONDENSATE MOUNTING (continued)



Assemble condensate drain and attach to pipe exiting wall. PVC pressure pipe cement must be used.

40mm PVC pipe must be fitted (not shown) to drain to waste

Components supplied loose.



15mm PVC Elbow or 15mm STRAIGHT CONNECTOR

15mm PVC class 18 tube

15mm PVC to 15mm threaded union

15mm to 20mm union

20mm to 40mm union

40mm non-return valve

WIRING – FLUE TEMPERATURE LIMITING DEVICE

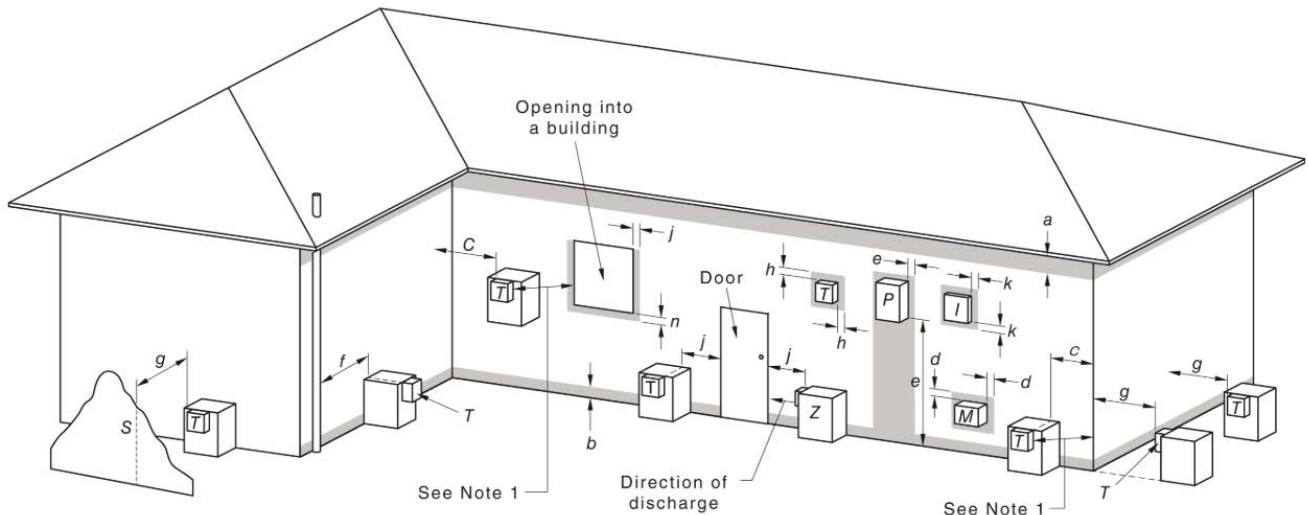
The flue temperature limiting device is inbuilt into the extension wiring and the flue adapter.

The connection directly connects to the loom from the appliance. The other end directly connects to the fan module.

Connections are not interchangeable.

The temperature limiting is preset and does not require adjustment.

DOUBLE SIDED FLUE TERMINATION



- Key
 I = Mechanical air inlet
 M = Gas meter
 P = Electricity meter or fuse box
 S = Structure
 T = Flue terminal
 Z = Fan-assisted appliance only

Shading indicates prohibited area for flue terminals

Ref.	Item	Minimum clearances, mm	
		Natural draught	Fan-assisted
a	Below eaves, balconies and other projections: For appliances up to 50 MJ/h input	300	200
	For appliances over 50 MJ/h input	500	300
b	From the ground, above a balcony or other surface*	300	300
c	From a return wall or external corner*	500	300
d	From a gas meter (M) [‡] (see Clause 5.11.5.9 for vent terminal location of regulator) (see Table 6.9.6 for New Zealand requirements)	1 000	1 000
	From an electricity meter or fuse box (P) ^{†,‡}	500	500
f	From a drain pipe or soil pipe	150	75
g	Horizontally from any building structure* or obstruction facing a flue terminal	500	500
h	From any other flue terminal, flue cowl, or combustion air intake*	500	300
j	Horizontally from an openable window, door, non-mechanical air inlet, or any other opening into a building with the exception of sub-floor ventilation: Appliances up to 150 MJ/h input*	500	300
	Appliances over 150 MJ/h input up to 200 MJ/h input*	1 500	300
	Appliances over 200 MJ/h input up to 250 MJ/h input*	1 500	500
	Appliances over 250 MJ/h input*	1 500	1 500
	All fan-assisted appliances, in the direction of discharge	—	1 500
k	From a mechanical air inlet, including a spa blower	1 500	1 000
n	Vertically below an openable window, non-mechanical air inlet, sub-floor ventilation, or any other opening into a building with the exception of weep holes: For space heaters up to 50 MJ/h input	150	150
	For other appliances up to 50 MJ/h input	500	500
	For appliances over 50 MJ/h input and up to 150 MJ/h input	1 000	1 000
	For appliances over 150 MJ/h input	1 500	1 500

* Unless appliance is certified for closer installation.

† Prohibited area below electricity meter or fuse box extends to ground level.

‡ Minimum clearances d and e also apply to any combustion air intake openings of appliances.

NOTE 1: Where dimensions c, j or k cannot be achieved, an equivalent horizontal distance, measured diagonally from the nearest discharge point of the terminal to the opening, may be deemed by the Technical Regulator to comply.

NOTE 2: See Clause 6.9.4 for restrictions on a flue terminal under a covered area.

NOTE 3: A flue terminal is considered to be a source of ignition. AS/NZS 1596:2014 specifies the minimum clearances required from a flue terminal to an LP Gas cylinder (see Figure I.5(A), Appendix I).

NOTE 4: For minimum clearances not addressed above, acceptance should be obtained from the Technical Regulator.

NOTE 5: Contact the appliance manufacturer if in doubt that the minimum clearances will provide adequate thermal protection of surfaces adjacent to the flue terminal. Additional protective measures may be required.



www.realflame.com.au

1300 554 155