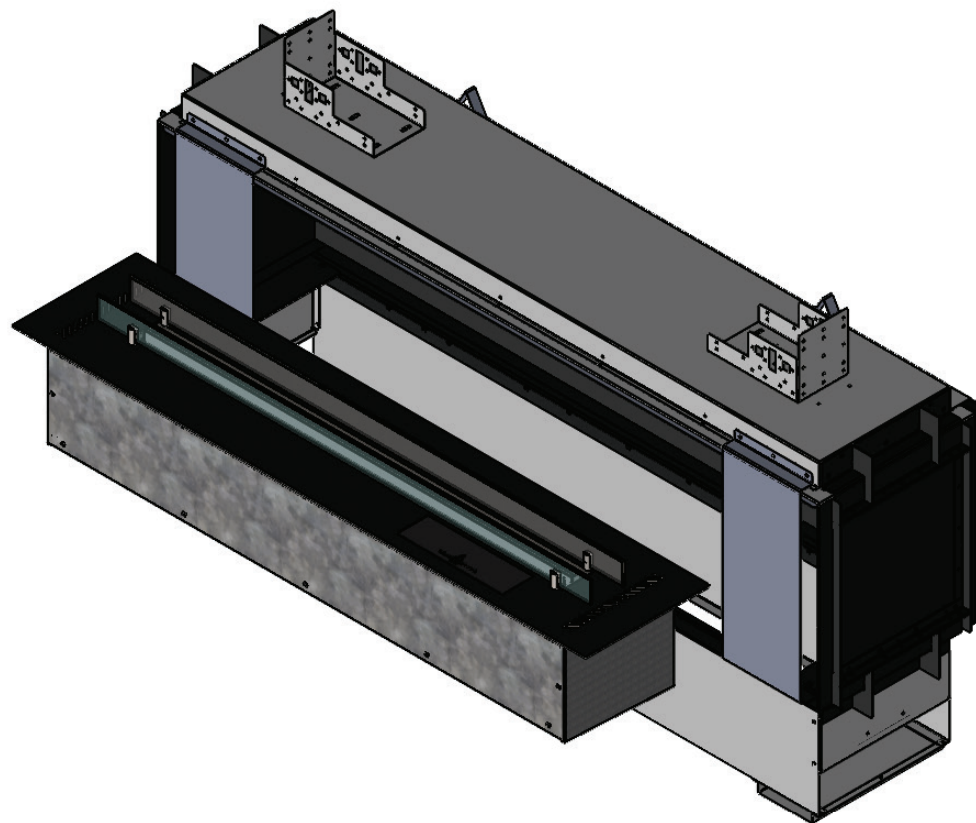


---

# ETLIS FIRE SURROUND DECORATIVE APPLIANCE

---

## INSTALLATION SPECIFICATIONS



This manual is for the installation of the surround with burner. For installation of the burner only and its operations, please refer to the manual provided with the Etlis burner.

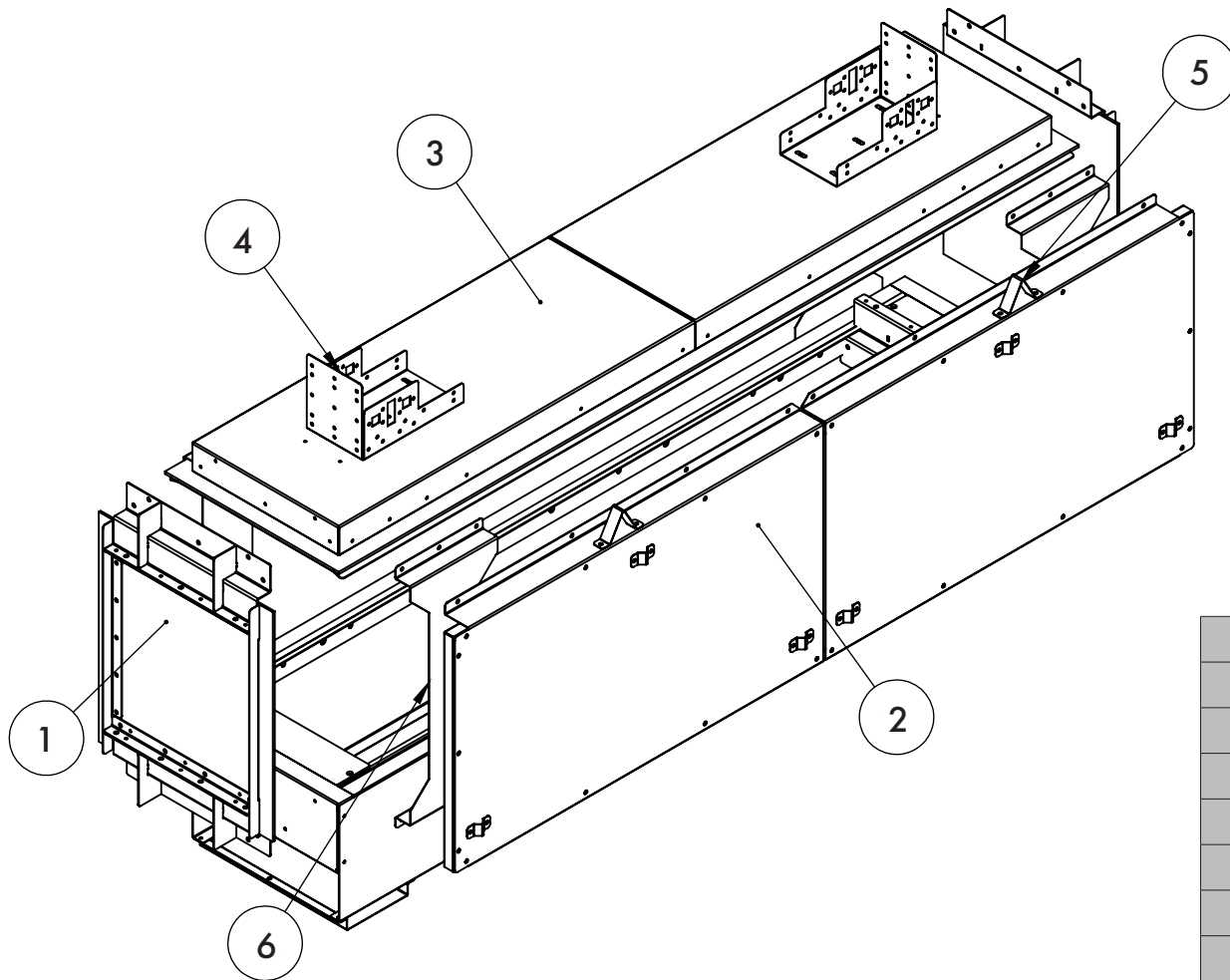
Version 4

---

# CONTENTS

PARTS LIST	3
BURNER DIMENSIONS	4
SINGLE SIDED INSTALL	5
TUNNEL INSTALL	13
TWO SIDED CORNER INSTALL	21
THREE SIDED INSTALL	29
ROOM DIVIDER INSTALL	37
FOUR SIDED INSTALL	45
WARRANTY INFORMATION	53

## PARTS LIST



### NOTE

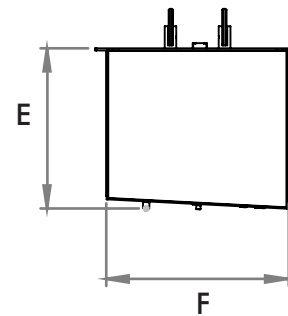
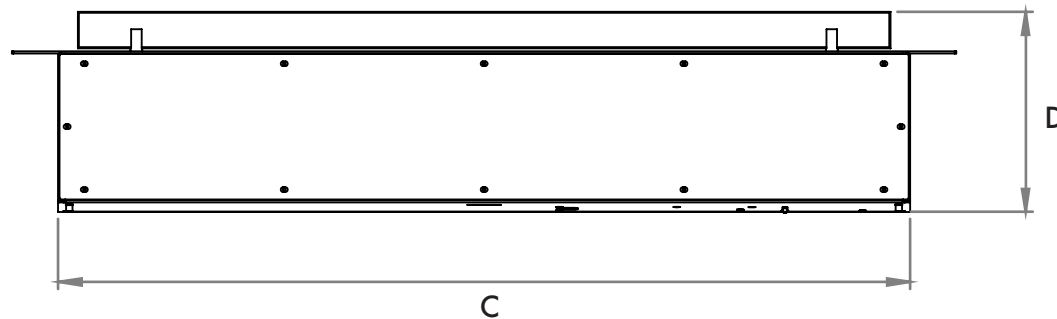
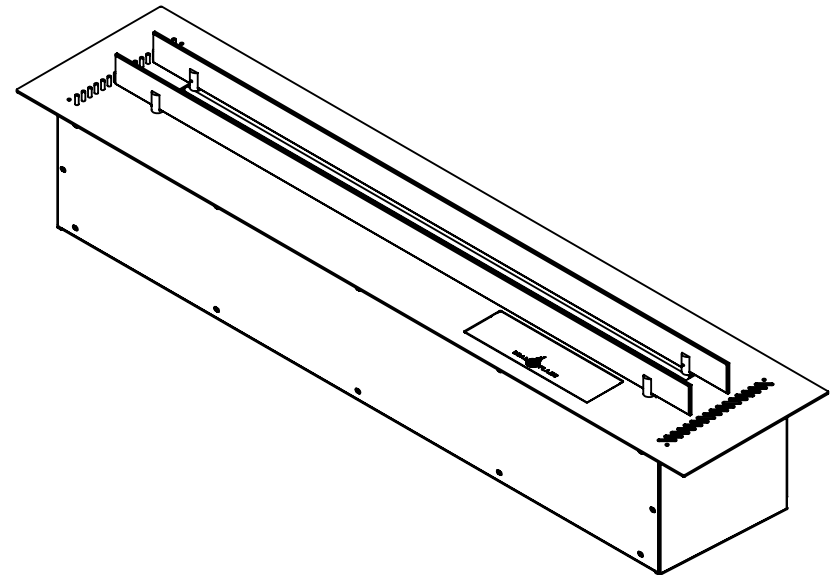
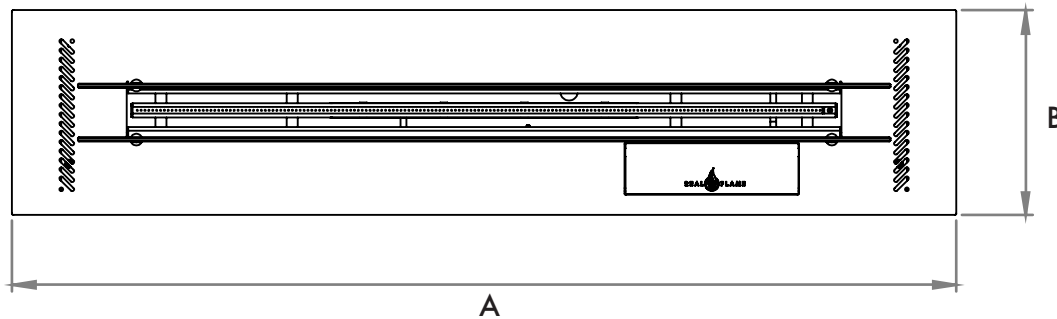
Back wall assembly is an optional part. It may or may not be present depending on your install configuration.

### PART CODES

ETLF12SUR	-	ETLIS 12 SURROUND
ETLF12SUR-BK	-	ETLIS 12 SURROUND BACK WALL
ETLF8SUR	-	ETLIS 8 SURROUND
ETLF8SUR-BK	-	ETLIS 8 SURROUND BACK WALL

PARTS	DESCRIPTION	QTY
1	Side wall assembly	2
2	Back wall assembly	1
3	Firebox chassis	1
4	Firebox mounting / supporting brackets	2
5	Back wall top standoffs	2
6	Transit support brace	4
7	Panel screws	46

# BURNER DIMENSIONS



UNIT	A	B	C	D	E	F
890	890	280	764	273	219	255
1290	1290	280	1164	273	219	255

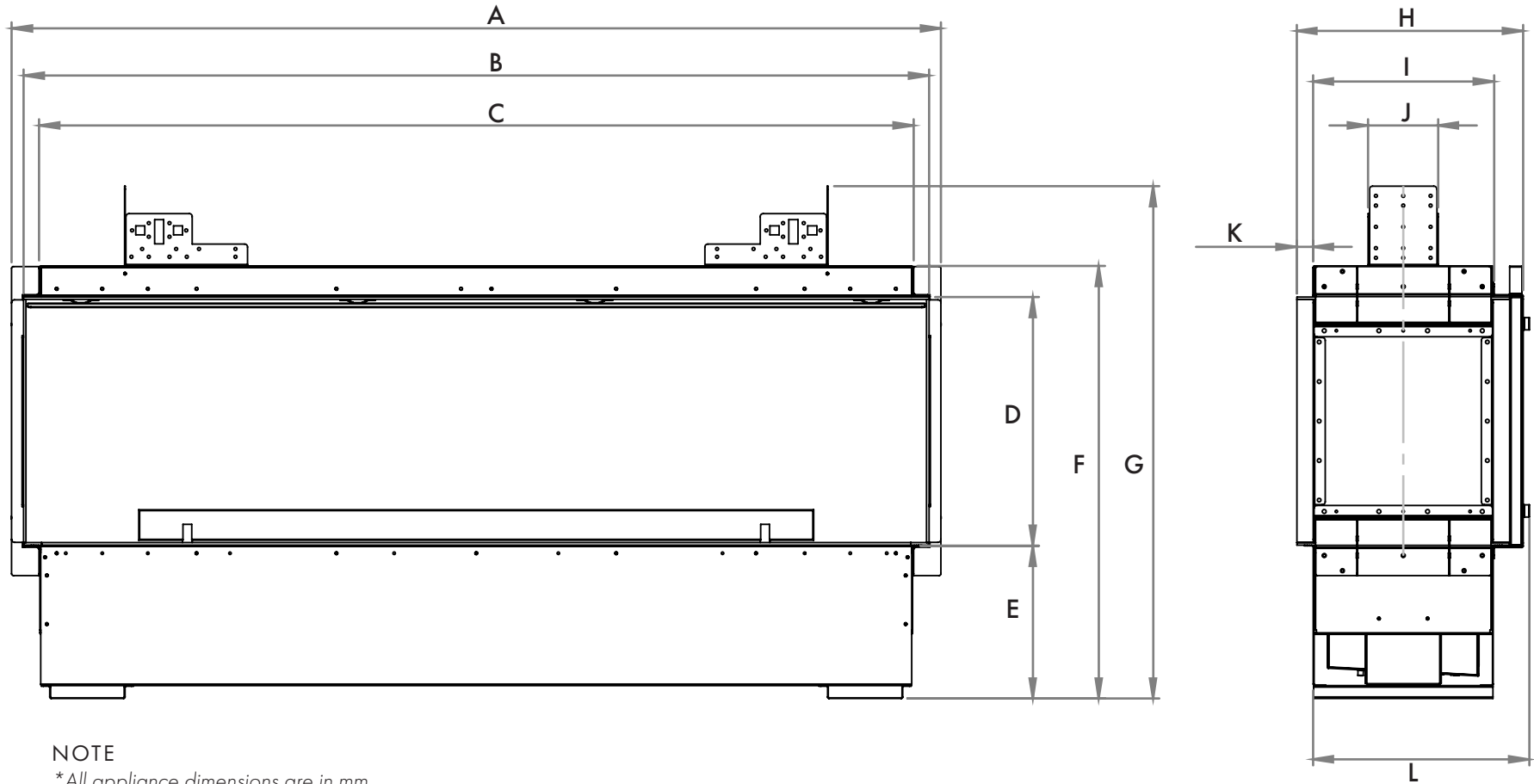
NOTE  
 \*All appliance dimensions are in mm.

---

# SINGLE SIDED INSTALL INSTRUCTIONS

# SURROUND DIMENSIONS

## SINGLE SIDED

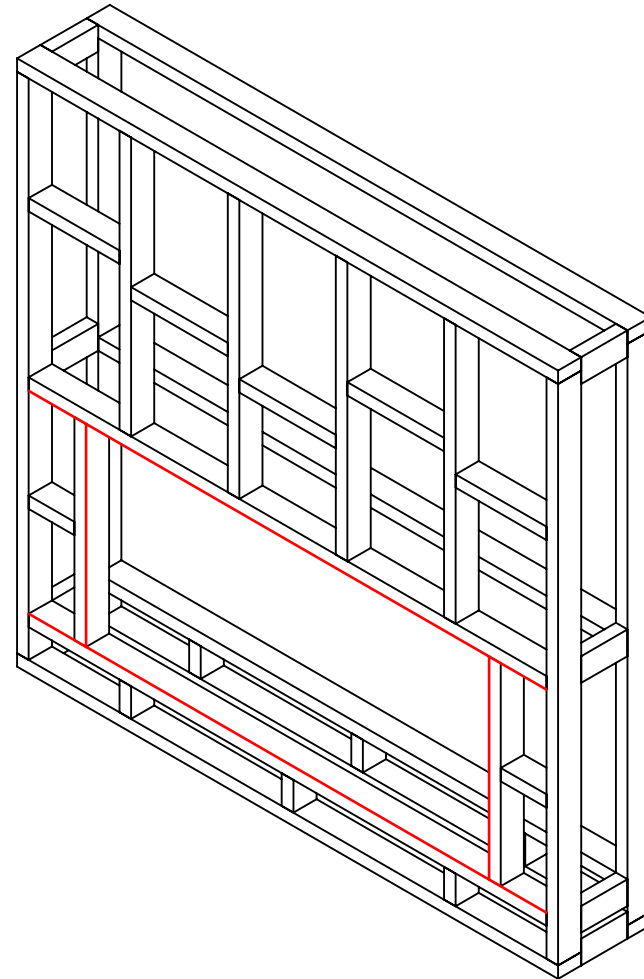
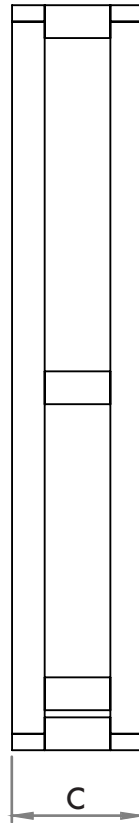
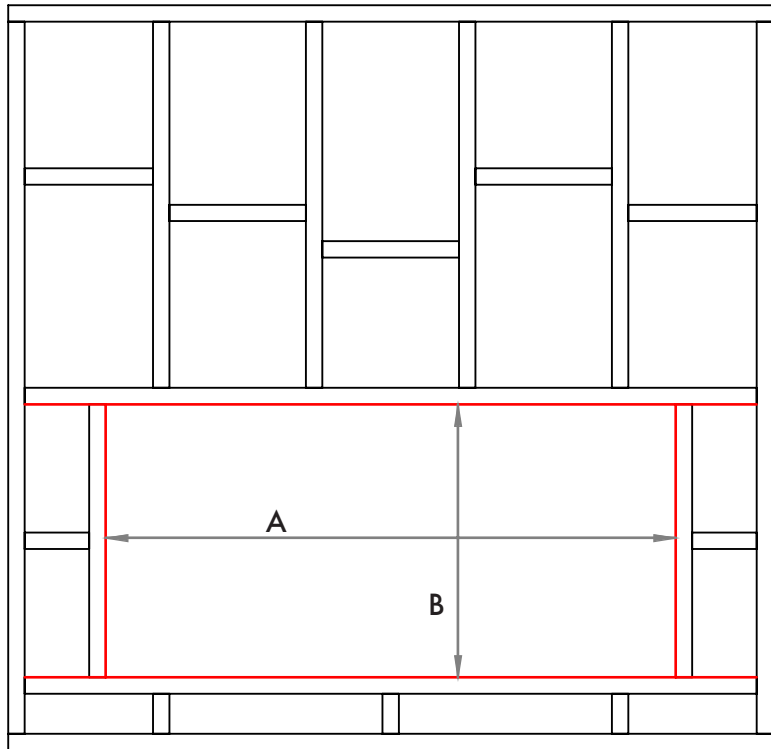


**NOTE**

*\*All appliance dimensions are in mm.*

UNIT	A	B	C	D	E	F	G	H	I	J	K	L
<b>890</b>	1128	1089	1035	410	251	712	843	383	296	115	27	356
<b>1290</b>	1528	1489	1435	410	251	712	843	383	296	115	27	356

# MINIMUM FRAMING DIMENSIONS WITH PINE FRAME



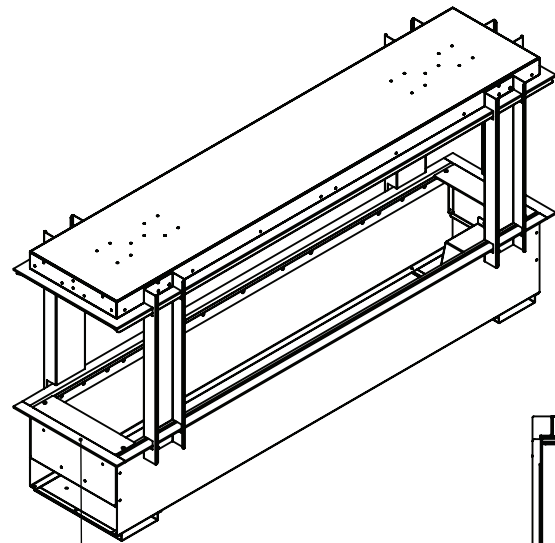
UNIT	A	B	C
890	1160	750	360
1290	1560	750	360

NOTE  
\*All appliance dimensions are in mm.

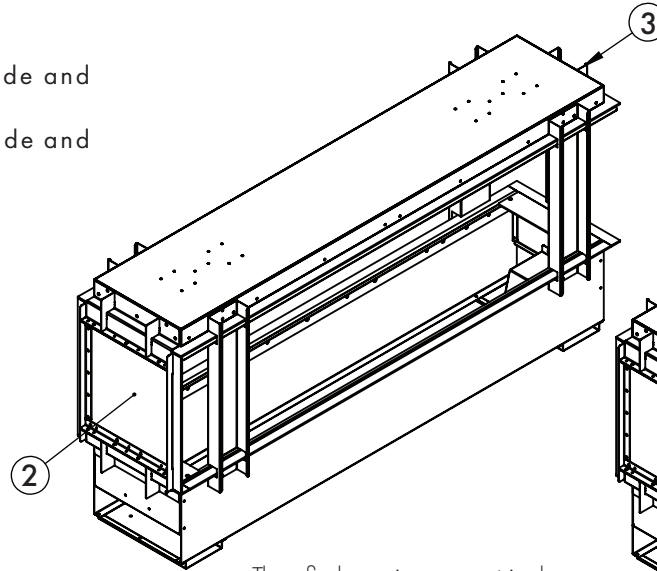
# ASSEMBLY INSTRUCTION

## SINGLE SIDED

1. Uncrate the appliance and remove all parts from within the firebox.
2. Fit side wall panel assembly to open side.
3. Remove side support brace on the opposite side and fit the second side wall assembly.
4. Remove the two support braces on one long side and fit back panel assembly to the firebox.
5. Remove remaining two front support braces.



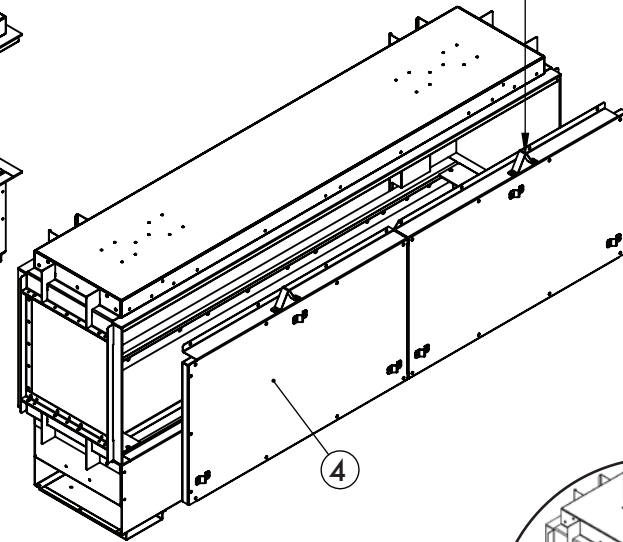
Take care to not scratch the powder coat/paint while fitting the side panel.



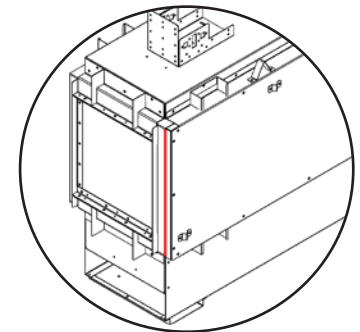
The firebox is symmetrical. Either side can be used as front.



Stand offs must be fitted and be facing up.



Caution: Fit side panels to the firebox first before removing support braces to fit the back panel



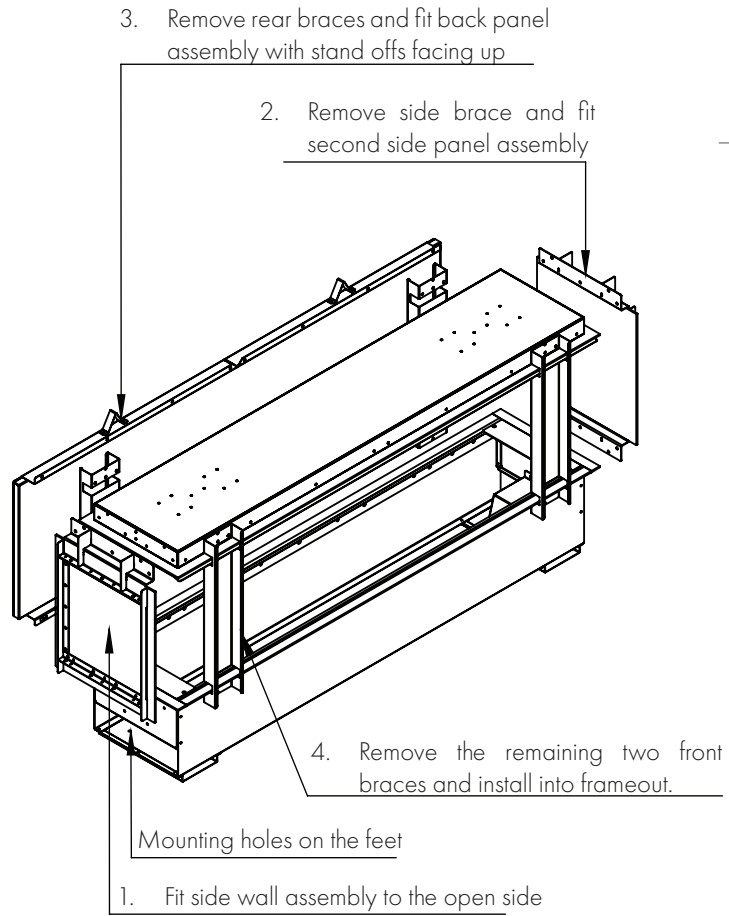
### NOTE

When fitting the rear panel, to prevent light shadows in corners of firebox use a bead of dark (black) silicon to seal the joint. Use silicon 150°C temperature rated.

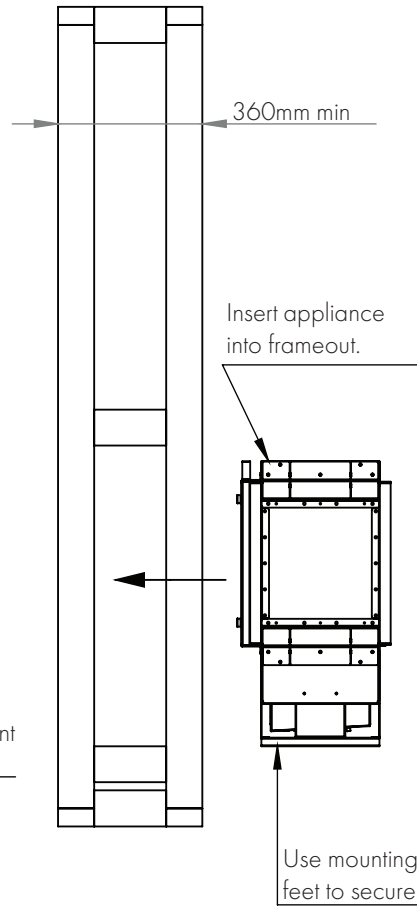
# MINIMUM FRAMING DIMENSIONS WITH APPLIANCE AND PINE FRAME - SINGLE SIDED

STEP 1

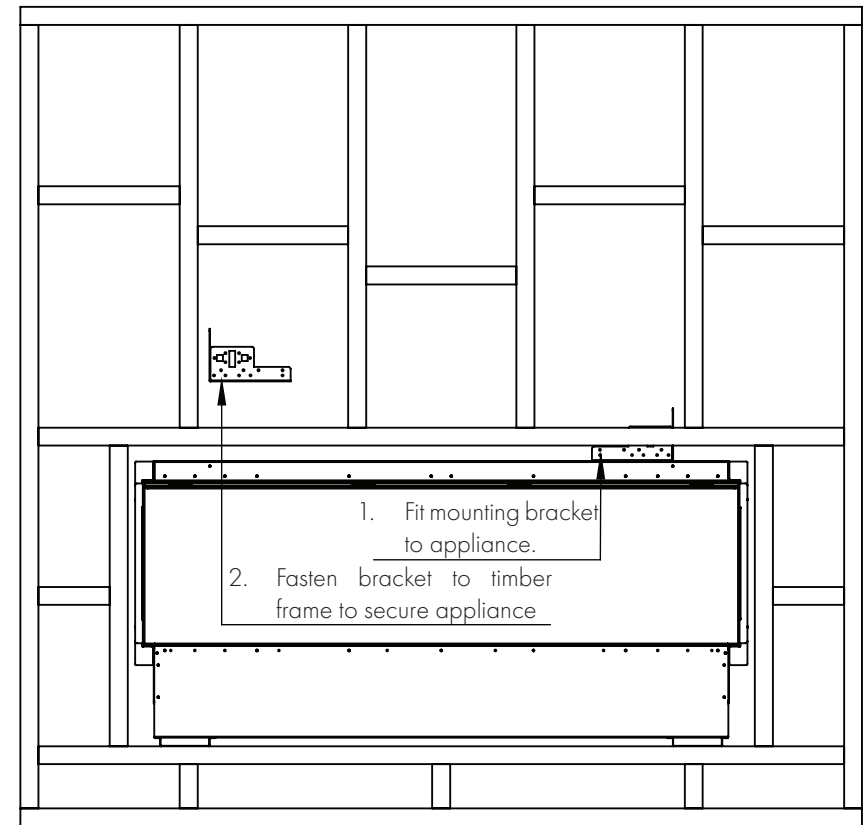
**Caution:** Fit side panels to the firebox first before removing support braces to fit the back panel



STEP 2



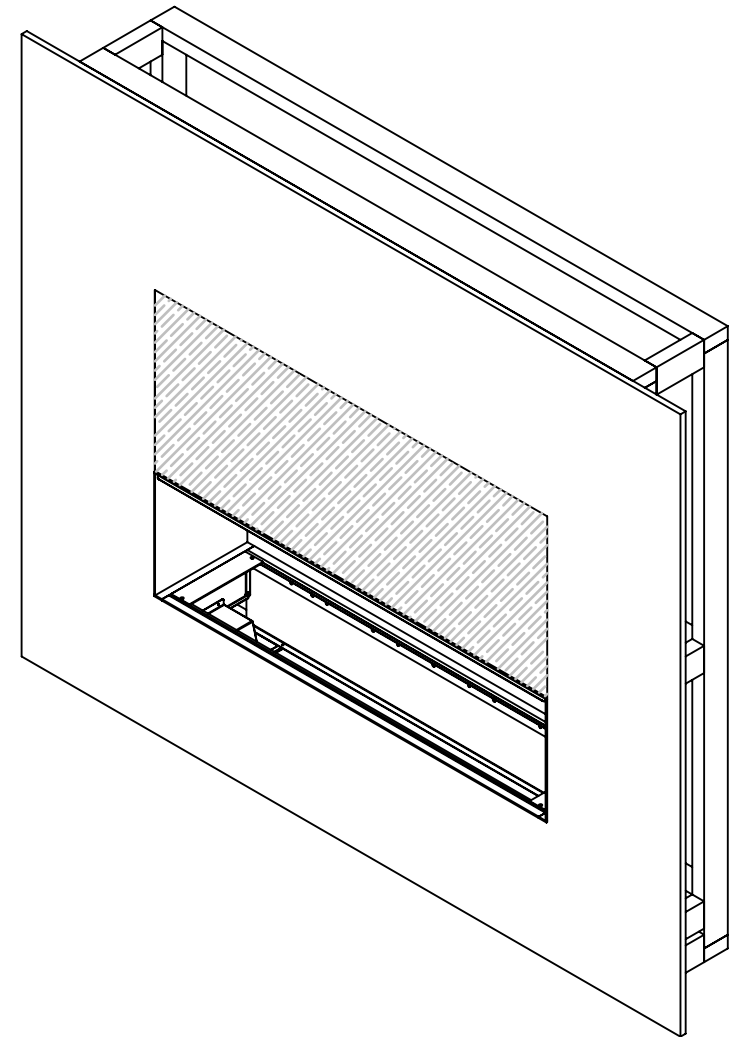
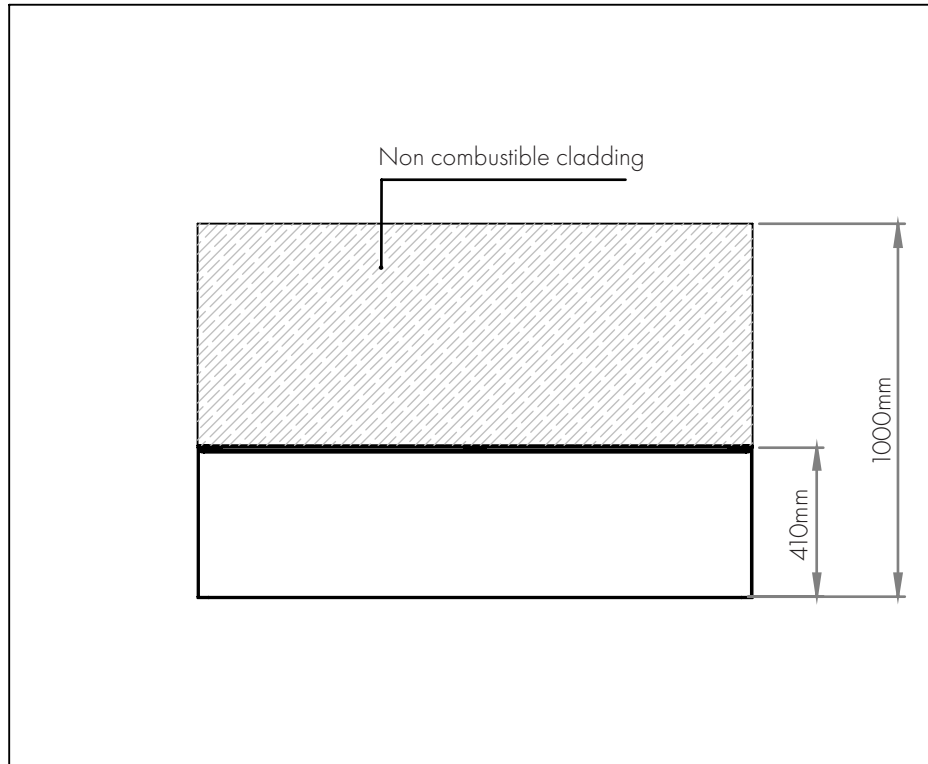
STEP 3



# MINIMUM FRAMING DIMENSIONS

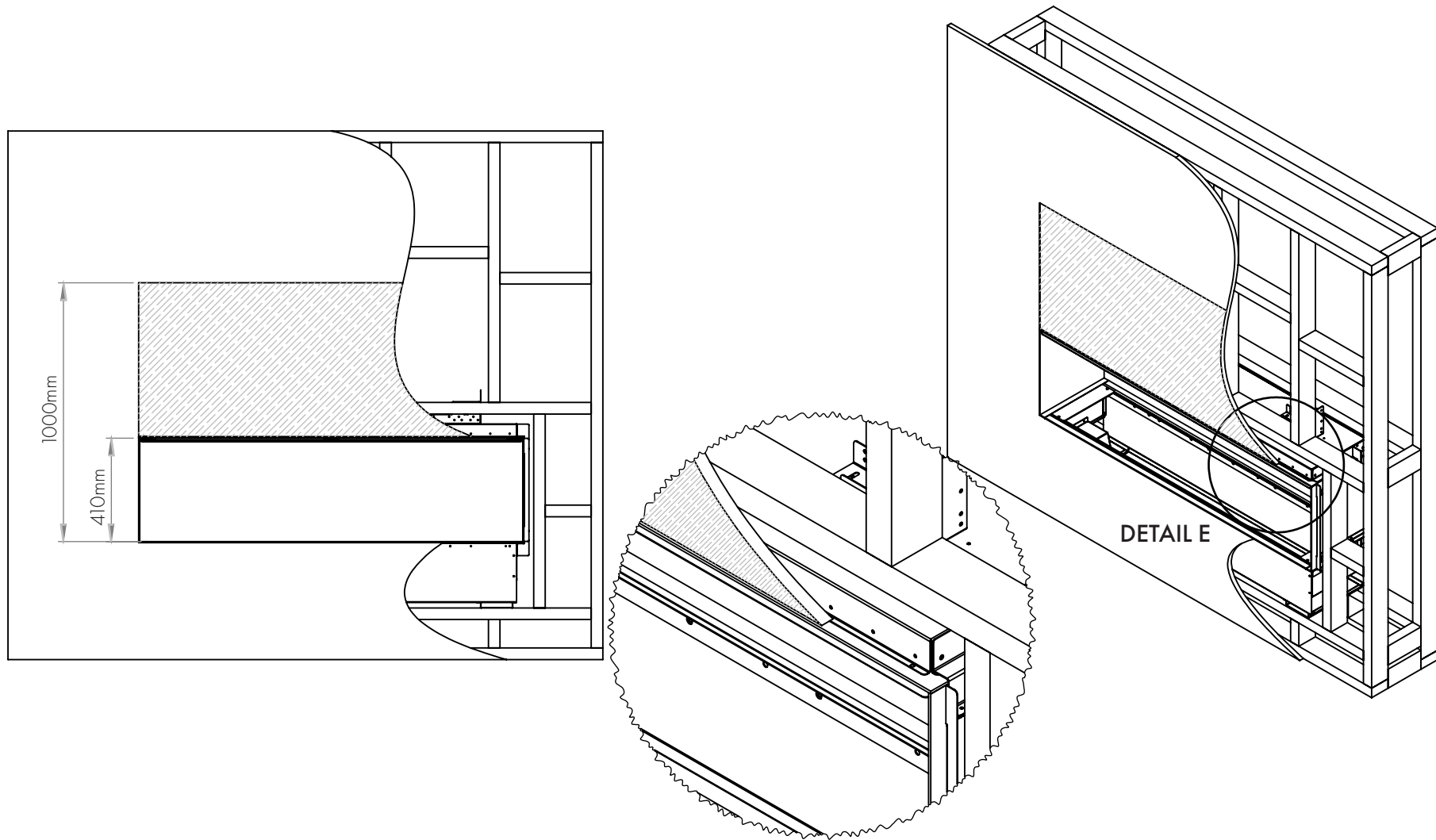
## CLADDING INSTRUCTIONS - SINGLE SIDED

ALL MODELS RECOMMENDED MATERIAL		
INSTALL	VILLABOARD 9mm - RATED TO 60 DEG C	FIRECHECK PLASTERBOARD 13MM - RATED TO 50 DEG C
SINGLE SIDED	✔	✘
ALL OTHER	✔	✔



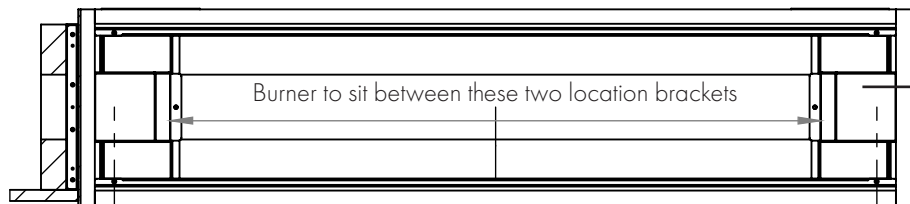
# MINIMUM FRAMING DIMENSIONS

CLADDING INSTRUCTIONS CONT. - SINGLE SIDED

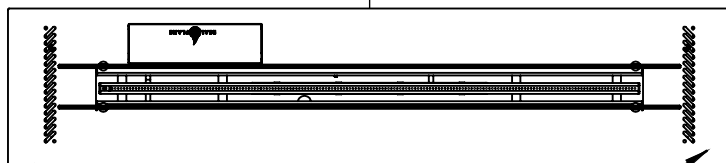


# MINIMUM FRAMING DIMENSIONS

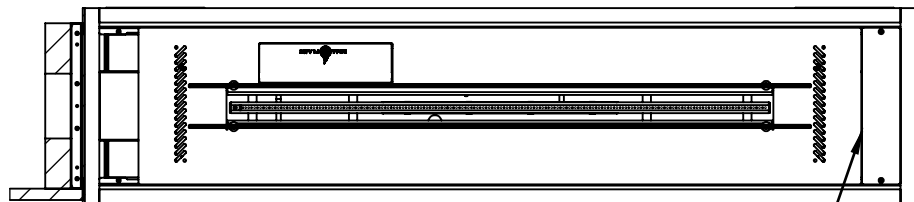
## APPLIANCE FITMENT - SINGLE SIDED



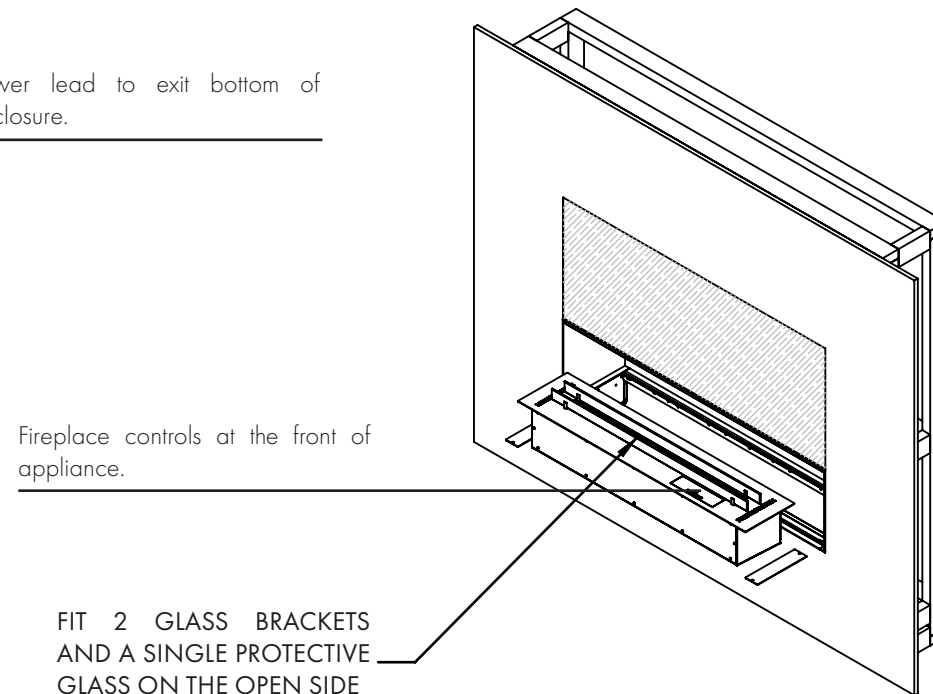
Power lead to exit bottom of enclosure.



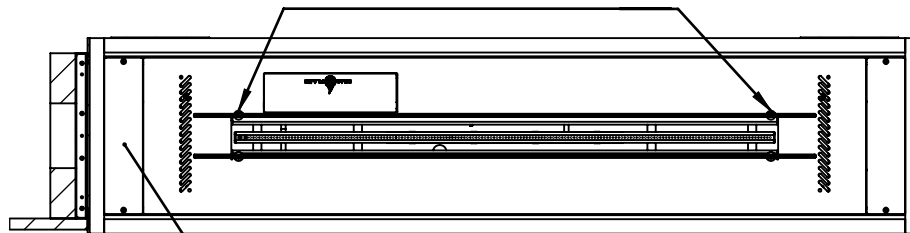
2. Place burner between two location brackets in the firebox.
1. Remove both side covers off the firebox.



Fit one side cover plate back on and align burner against the cover plate



**FIT 2 GLASS BRACKETS AND A SINGLE PROTECTIVE GLASS ON THE OPEN SIDE**



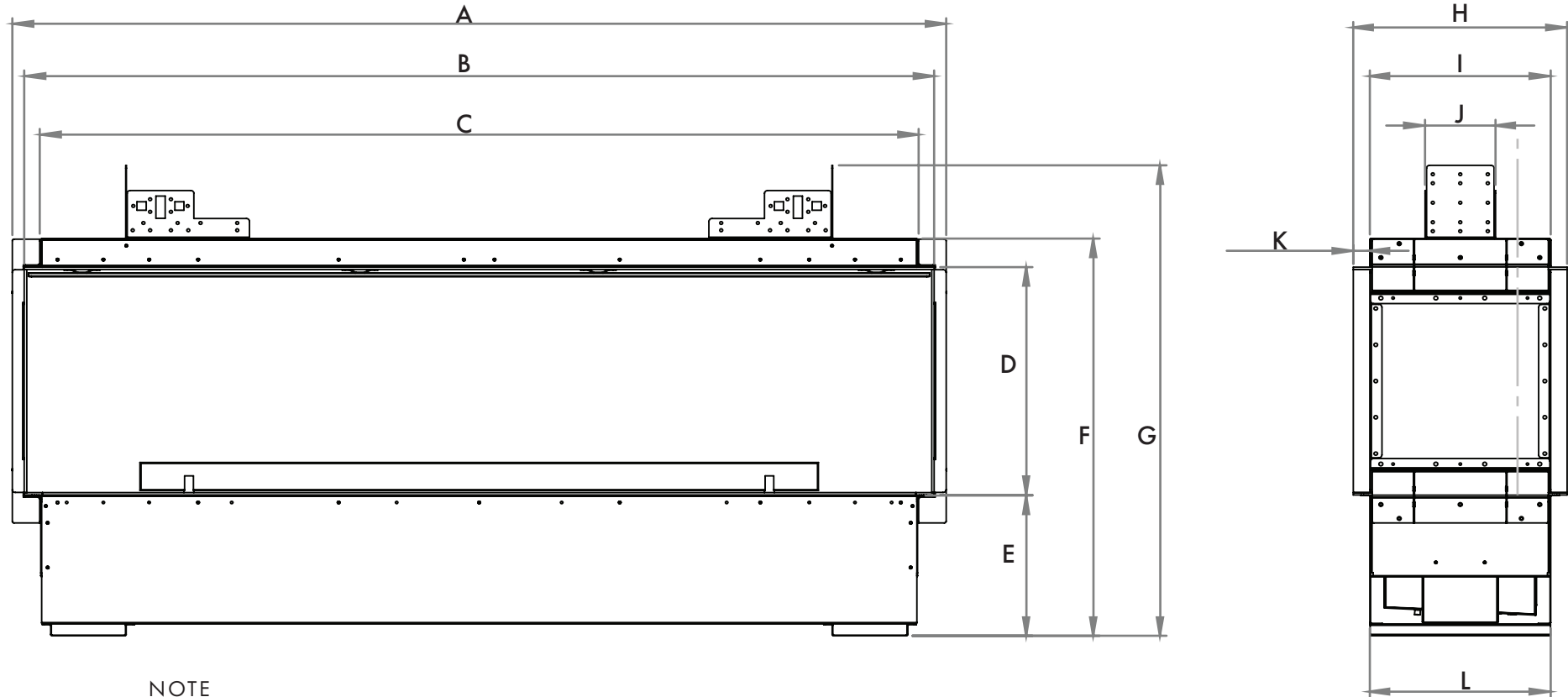
Fit second cover plate and ensure that the burner is sitting level. Ensure there is no significant gap between the two side cover plates and the burner.

---

# TUNNEL INSTALL INSTRUCTIONS

# SURROUND DIMENSIONS

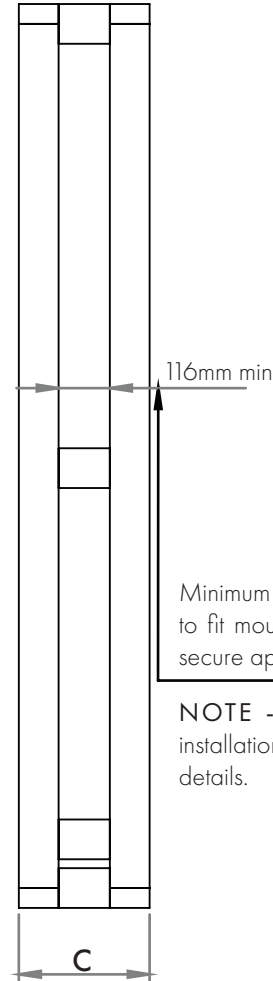
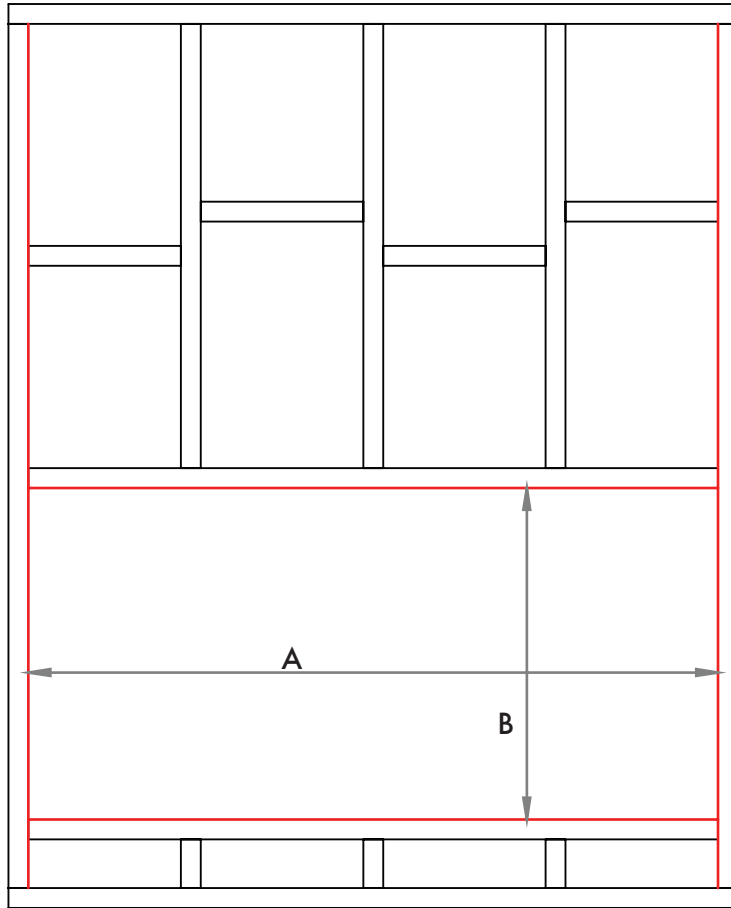
## DOUBLE SIDED - TUNNEL INSTALL



NOTE  
 \*All appliance dimensions are in mm.

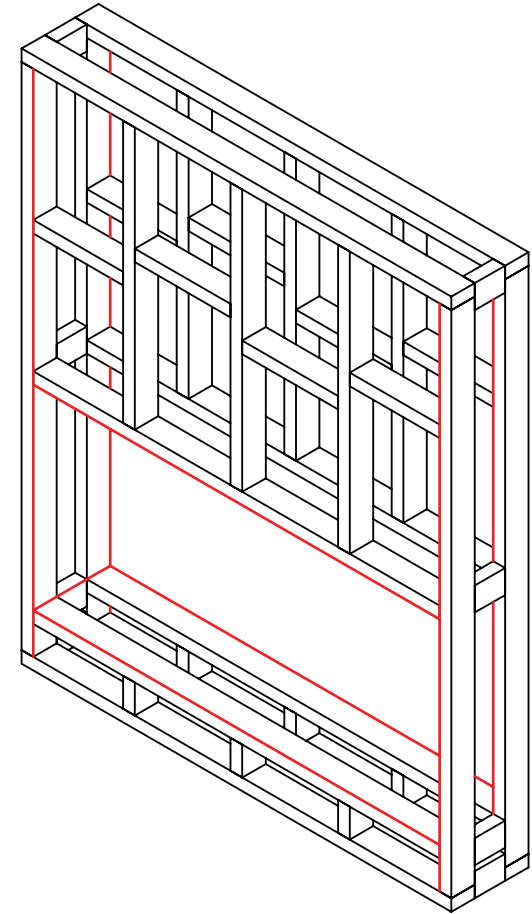
UNIT	A	B	C	D	E	F	G	H	I	J	K	L
<b>890</b>	1128	1089	1035	410	251	712	843	350	296	115	27	296
<b>1290</b>	1528	1489	1435	410	251	712	843	350	296	115	27	296

# MINIMUM FRAMING DIMENSIONS WITH PINE FRAME



Minimum gap required to fit mounting brackets to secure appliance.

NOTE - Refer appliance installation page for more details.



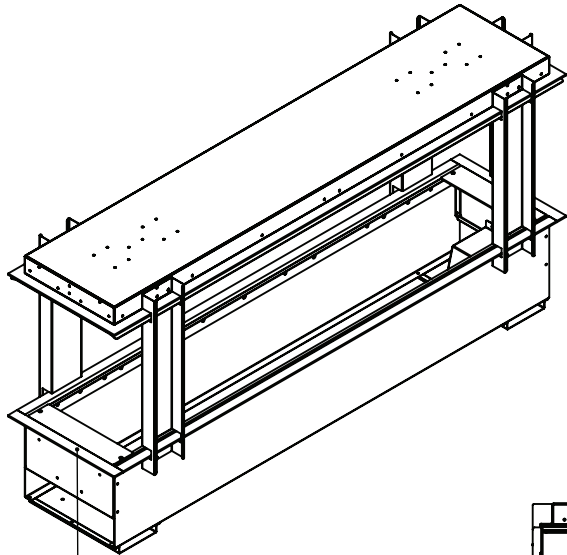
UNIT	A	B	C
890	1160	750	296
1290	1560	750	296

NOTE  
\*All appliance dimensions are in mm.

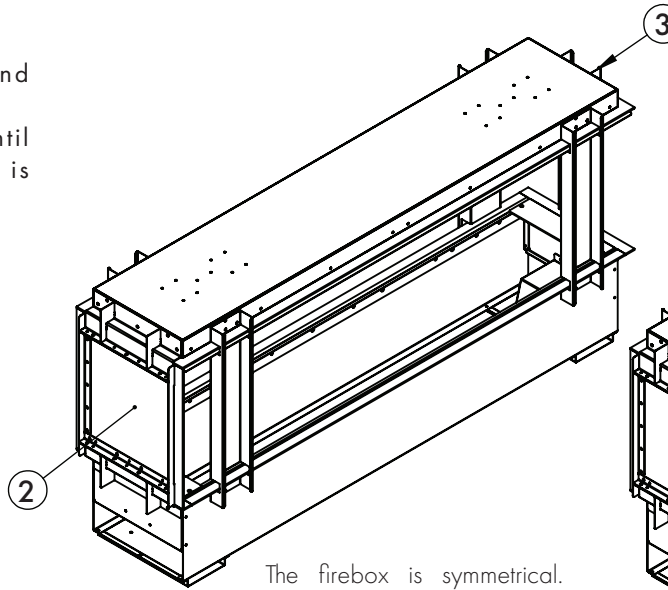
## ASSEMBLY INSTRUCTION

### DOUBLE SIDED - TUNNEL INSTALL

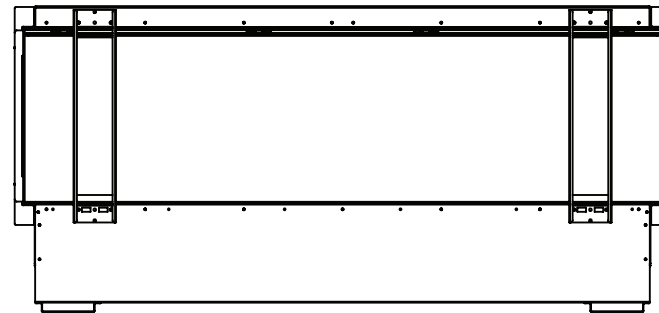
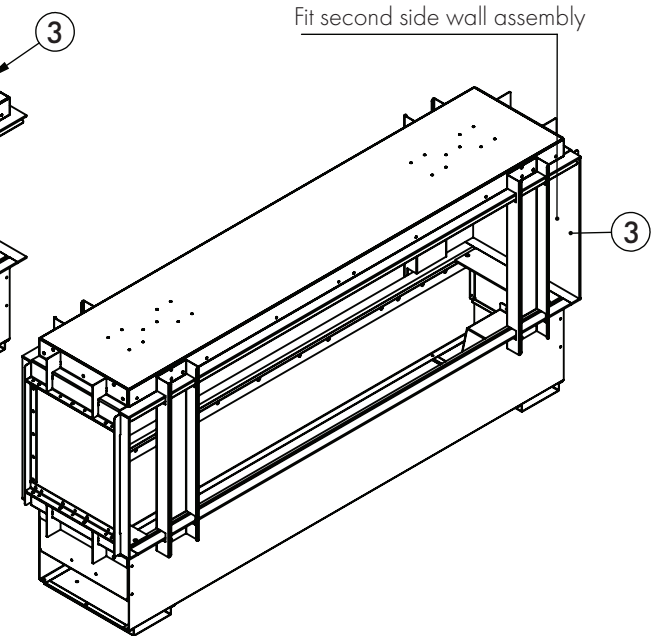
1. Uncrate the appliance and remove all parts from within the firebox.
2. Fit side wall panel assembly to open side.
3. Remove side support brace on the opposite side and fit the second side wall assembly.
4. Do not remove the remaining support braces until appliance is installed into the frameout and is secured in place.



Take care to not scratch the powder coat/paint while fitting the side panel.



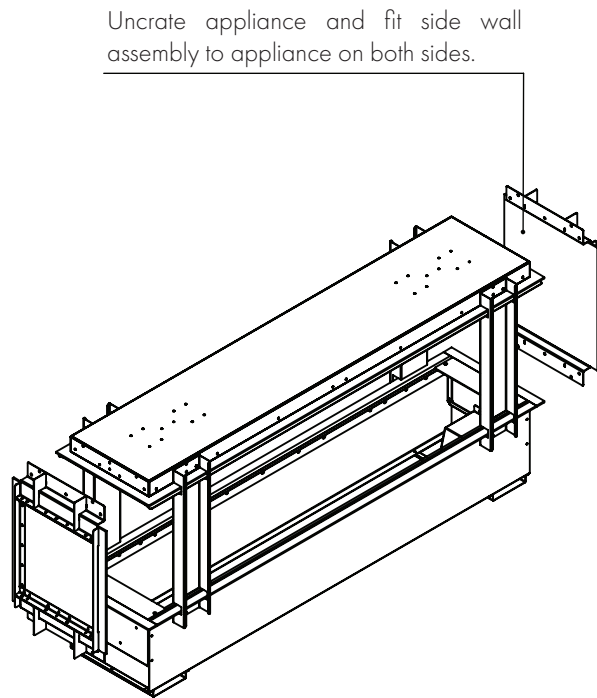
The firebox is symmetrical. Either side can be used as front.



DO NOT REMOVE THE 4 TRANSIT BRACES (2) UNTIL APPLIANCE IS ATTACHED TO THE FRAME OUT STRUCTURE.

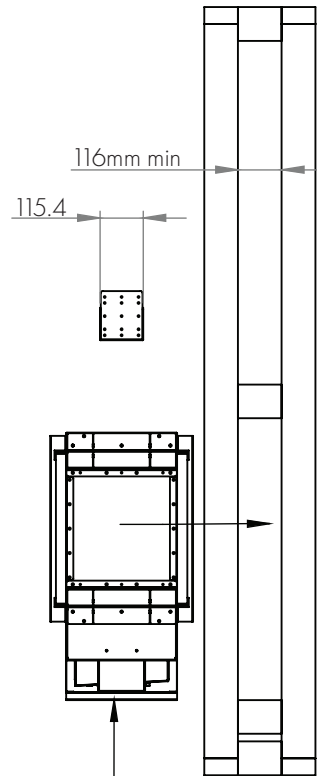
# MINIMUM FRAMING DIMENSIONS WITH APPLIANCE AND PINE FRAME - DOUBLE SIDED

STEP 1



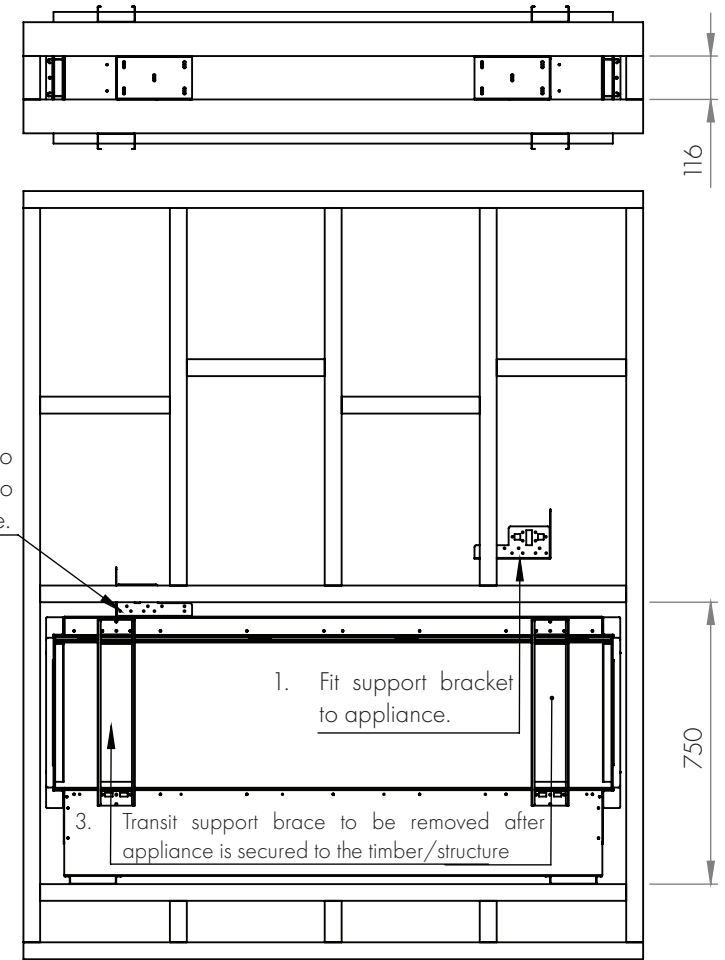
NOTE  
\*All appliance dimensions are in mm.

STEP 2



Insert appliance into frameout.

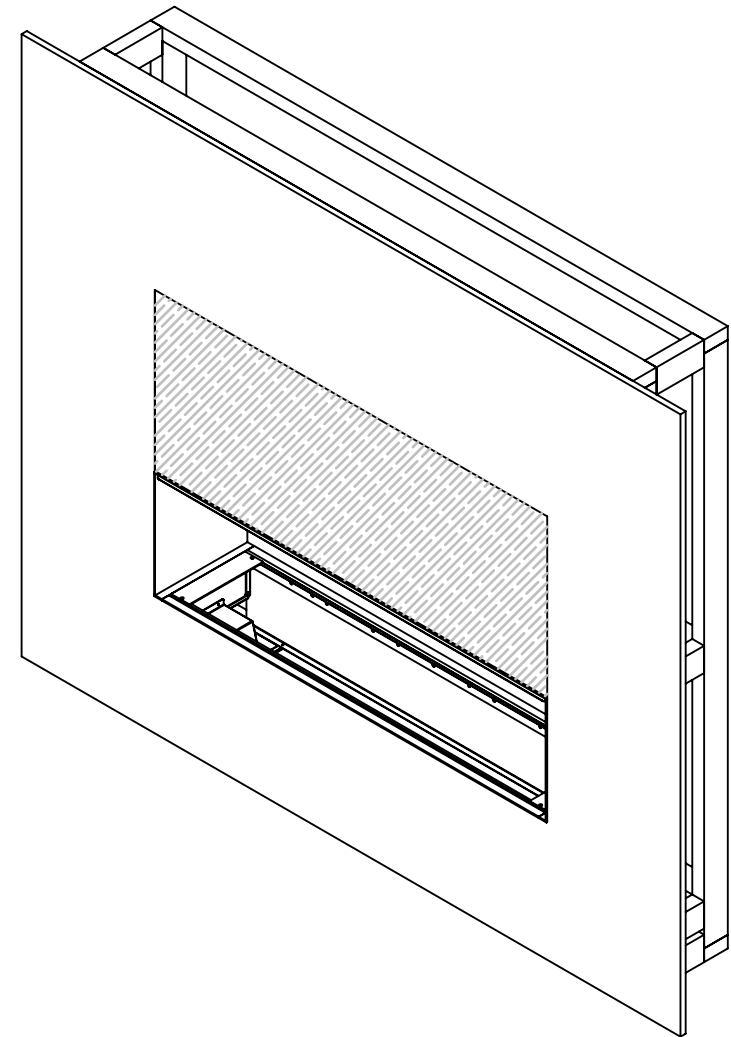
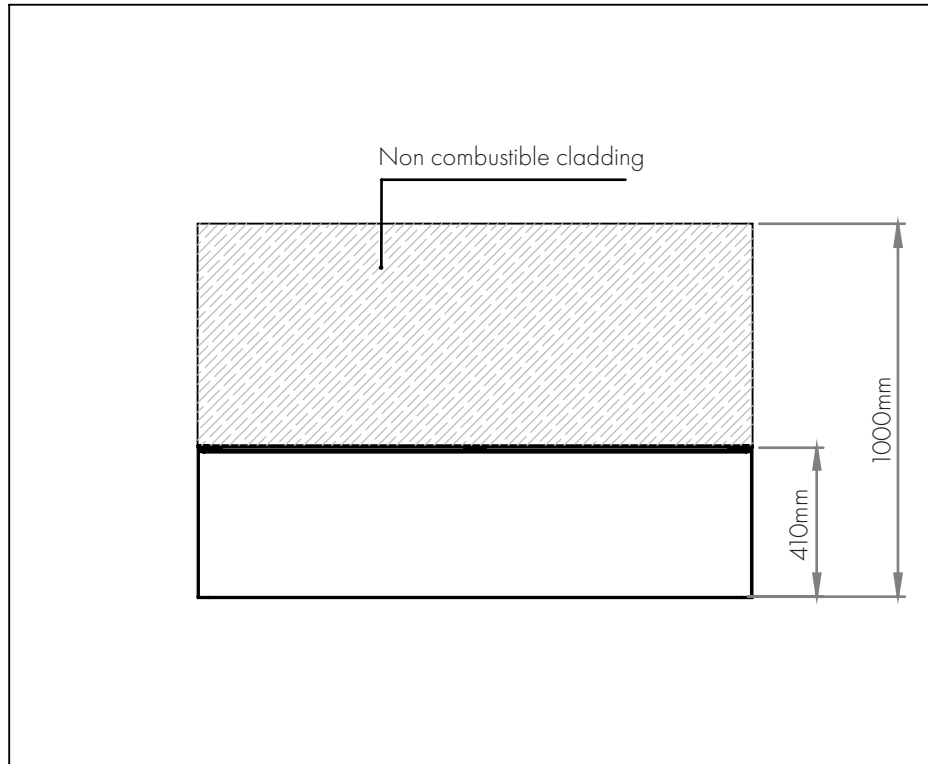
STEP 3



# MINIMUM FRAMING DIMENSIONS

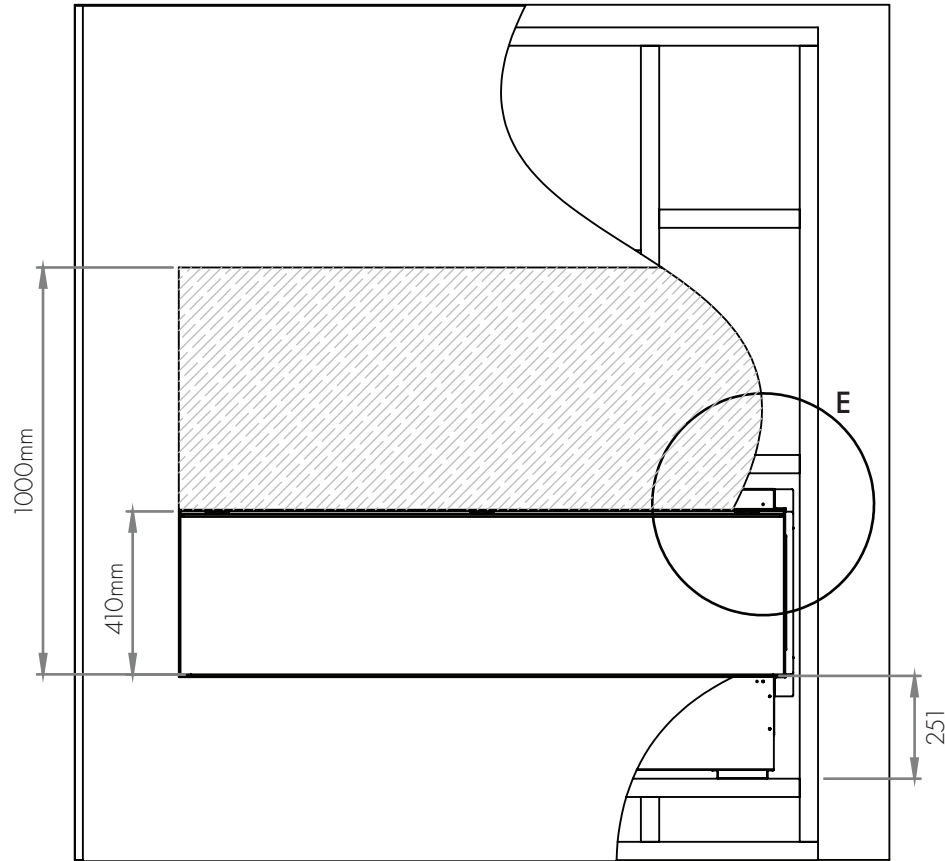
## CLADDING INSTRUCTIONS - DOUBLE SIDED

ALL MODELS RECOMMENDED MATERIAL		
INSTALL	VILLABOARD 9mm - RATED TO 60 DEG C	FIRECHECK PLASTERBOARD 13MM - RATED TO 50 DEG C
SINGLE SIDED	✔	✘
ALL OTHER	✔	✔

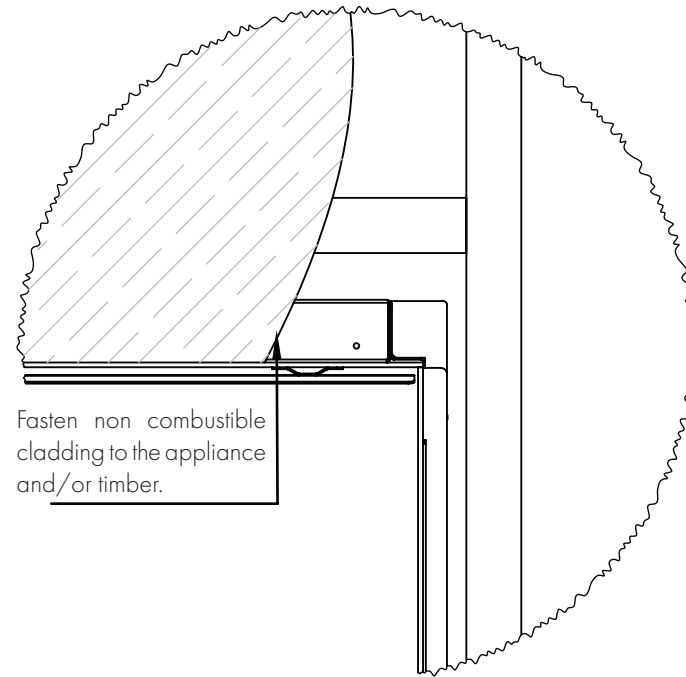


# MINIMUM FRAMING DIMENSIONS

CLADDING INSTRUCTIONS CONT. - DOUBLE SIDED



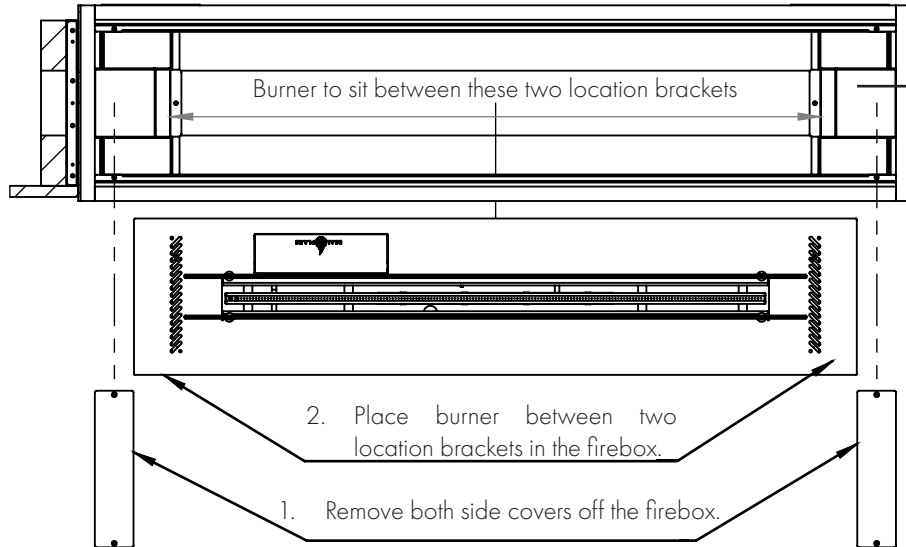
DETAIL E



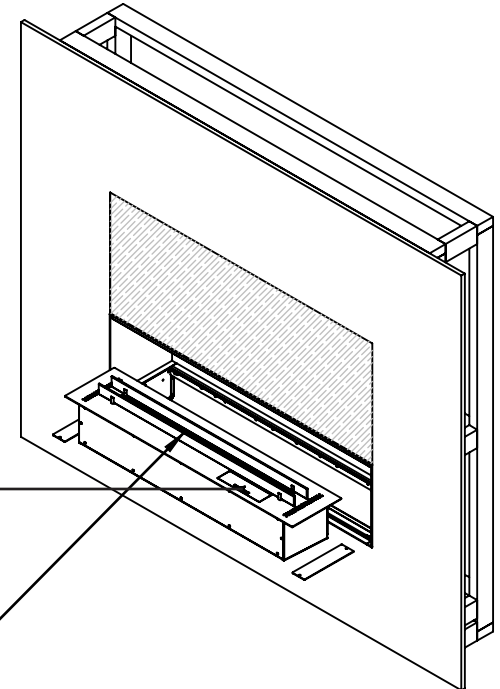
Fasten non combustibile cladding to the appliance and/or timber.

# MINIMUM FRAMING DIMENSIONS

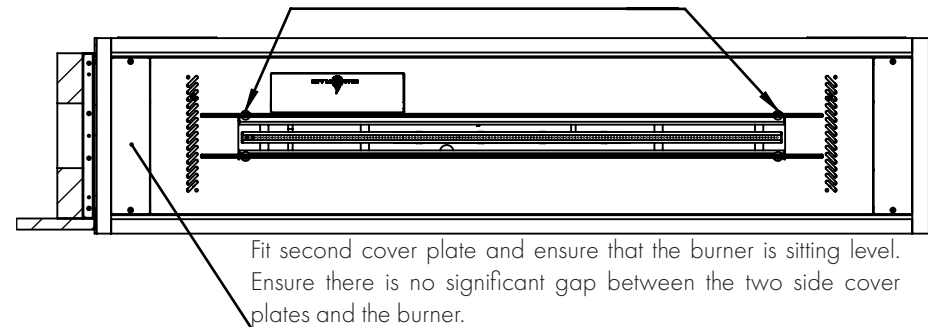
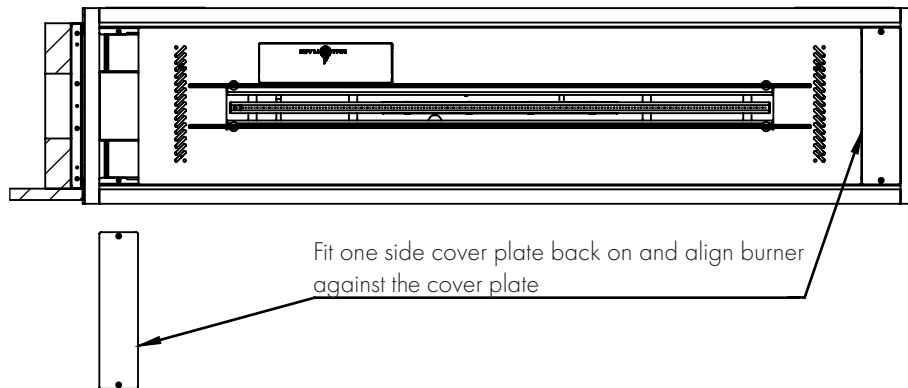
## APPLIANCE FITMENT - DOUBLE SIDED



Power lead to exit bottom of enclosure.



FIT ALL 4 GLASS BRACKETS AND BOTH PIECES OF GLASS ON EITHER SIDE OF THE BURNER

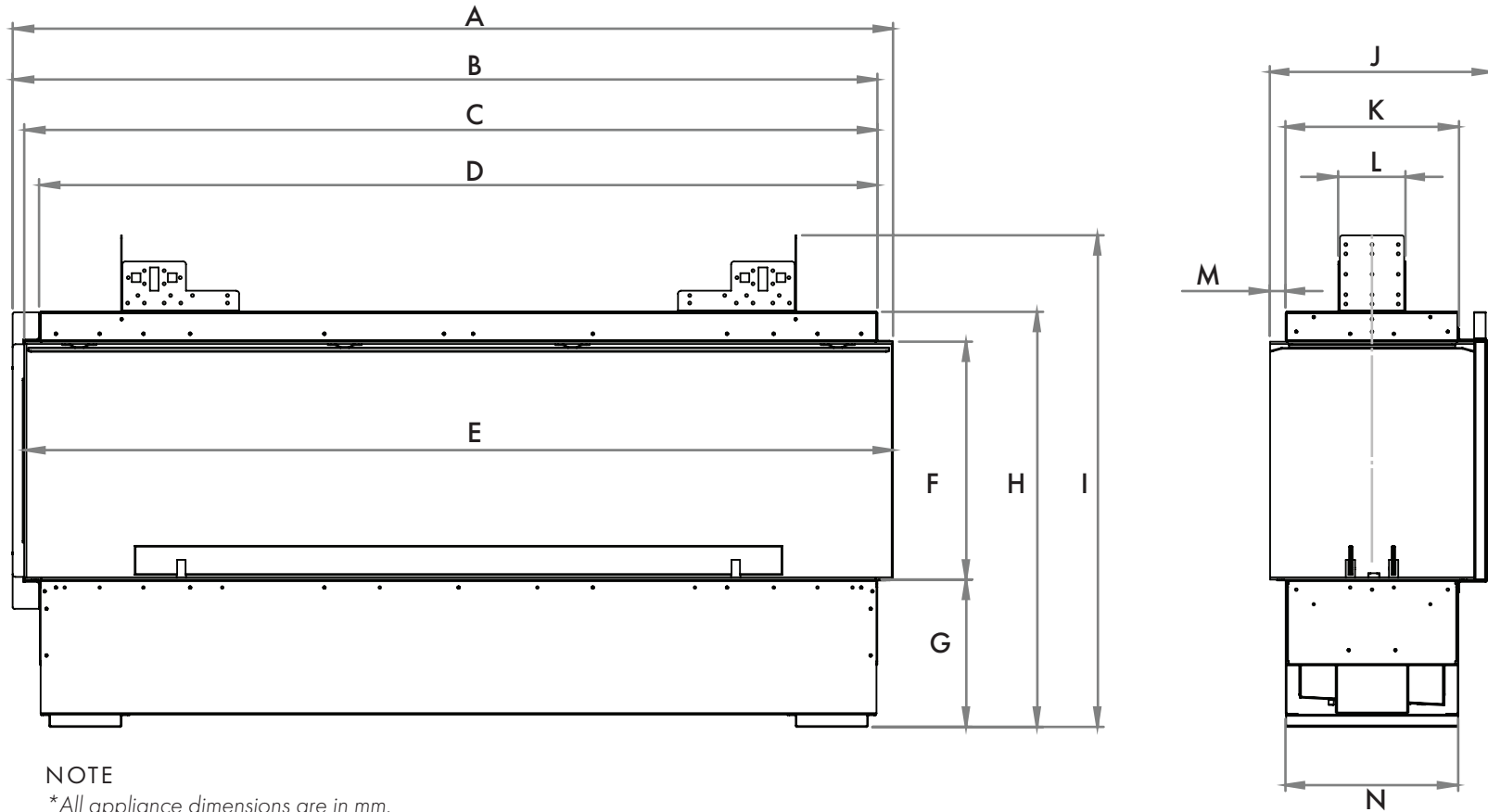


---

# CORNER SETUP INSTRUCTIONS

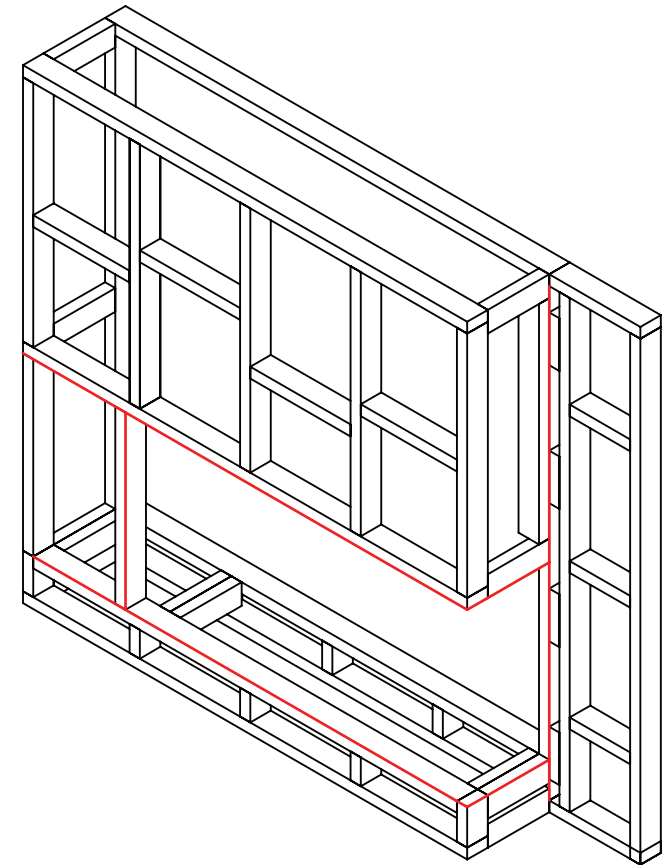
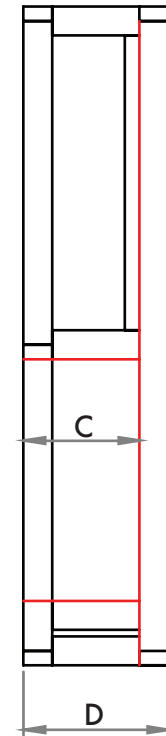
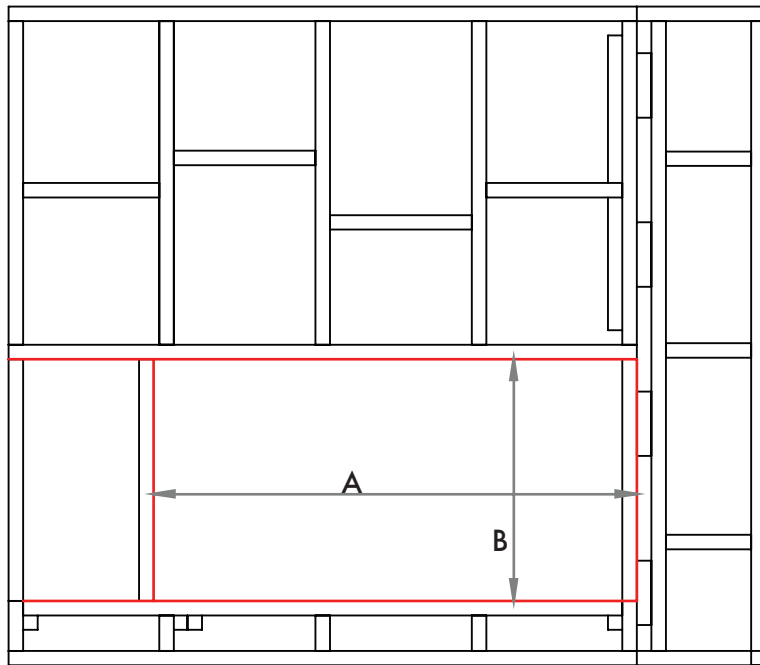
# SURROUND DIMENSIONS

## CORNER INSTALL



UNIT	A	B	C	D	E	F	G	H	I	J	K	L	M	N
<b>890</b>	1109	1082	1062	1035	1089	410	251	712	843	383	296	115	27	296
<b>1290</b>	1509	1482	1462	1435	1489	410	251	712	843	383	296	115	27	296

# MINIMUM FRAMING DIMENSIONS WITH PINE FRAME



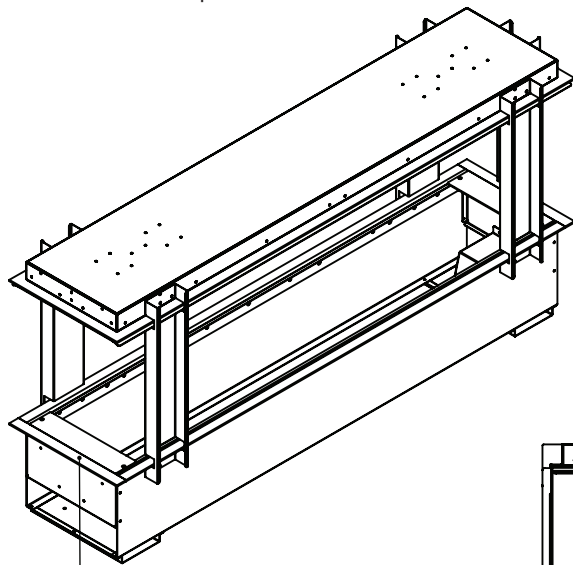
UNIT	A	B	C	D
890	1100	750	360	450
1290	1500	750	360	450

NOTE  
\*All appliance dimensions are in mm.

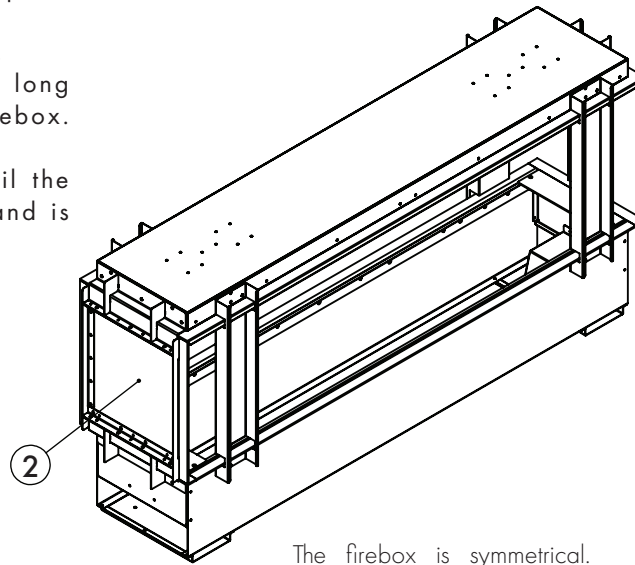
# ASSEMBLY INSTRUCTION

## CORNER INSTALL

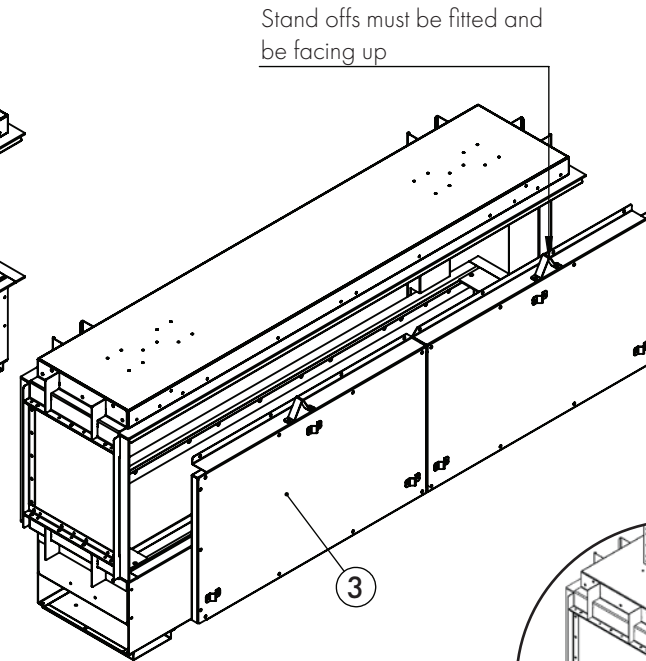
1. Uncrate the appliance and remove all parts from within the firebox.
2. Fit side wall panel assembly to open side.
3. Remove the two support braces on one long side and fit back panel assembly to the firebox. Ensure stand offs are fitted
4. Leave all remaining braces in place until the appliance is inserted into the frameout and is secured in place



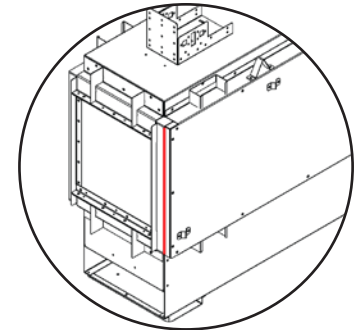
Take care to not scratch the powder coat/paint while fitting the side panel.



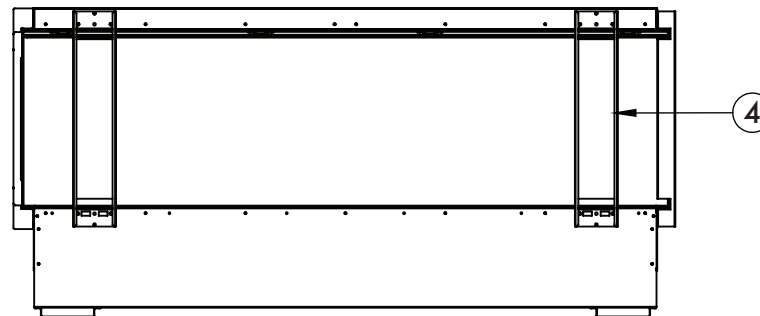
The firebox is symmetrical. Either side can be used as front.



Stand offs must be fitted and be facing up



**Caution:** Fit side panels to the firebox first before removing support braces to fit the back panel



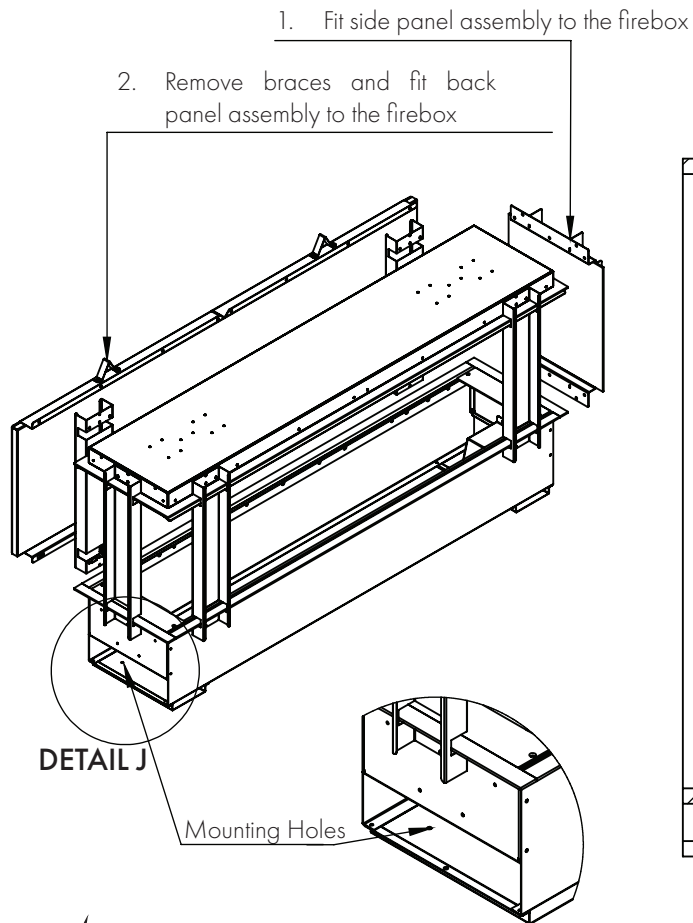
### NOTE

When fitting the rear panel, to prevent light shadows in corners of firebox use a bead of dark (black) silicon to seal the joint. Use silicon 150°C temperature rated.

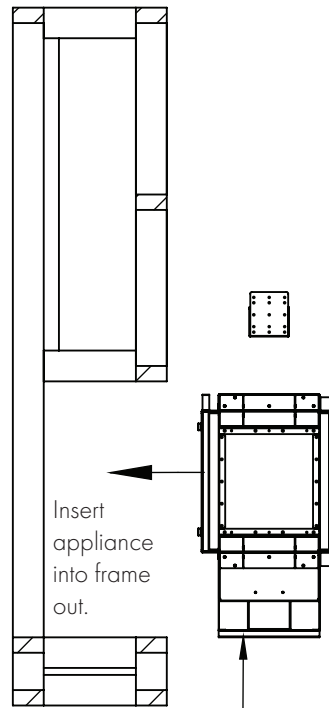
# MINIMUM FRAMING DIMENSIONS WITH APPLIANCE AND PINE FRAME - CORNER INSTALL

## STEP 1

**Caution:** Ensure there are two support braces fitted at each end at all times. Fit side panels to the firebox before removing support braces to fit the back panel.

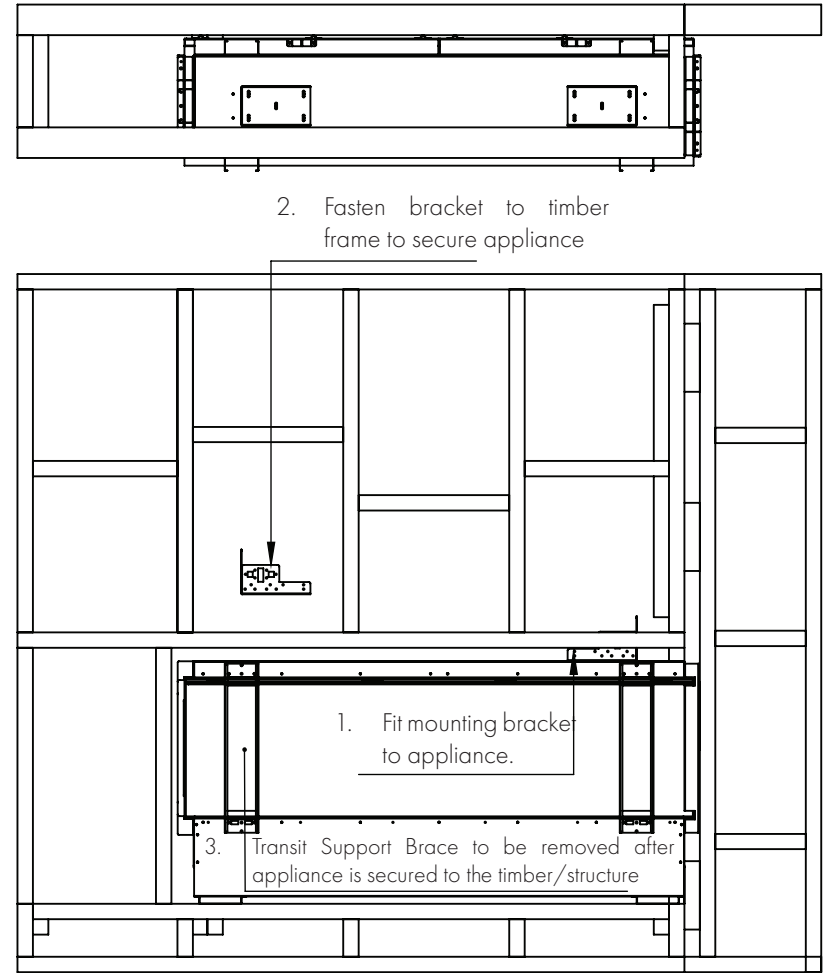


## STEP 2



Use mounting holes provided on the feet to secure appliance if required

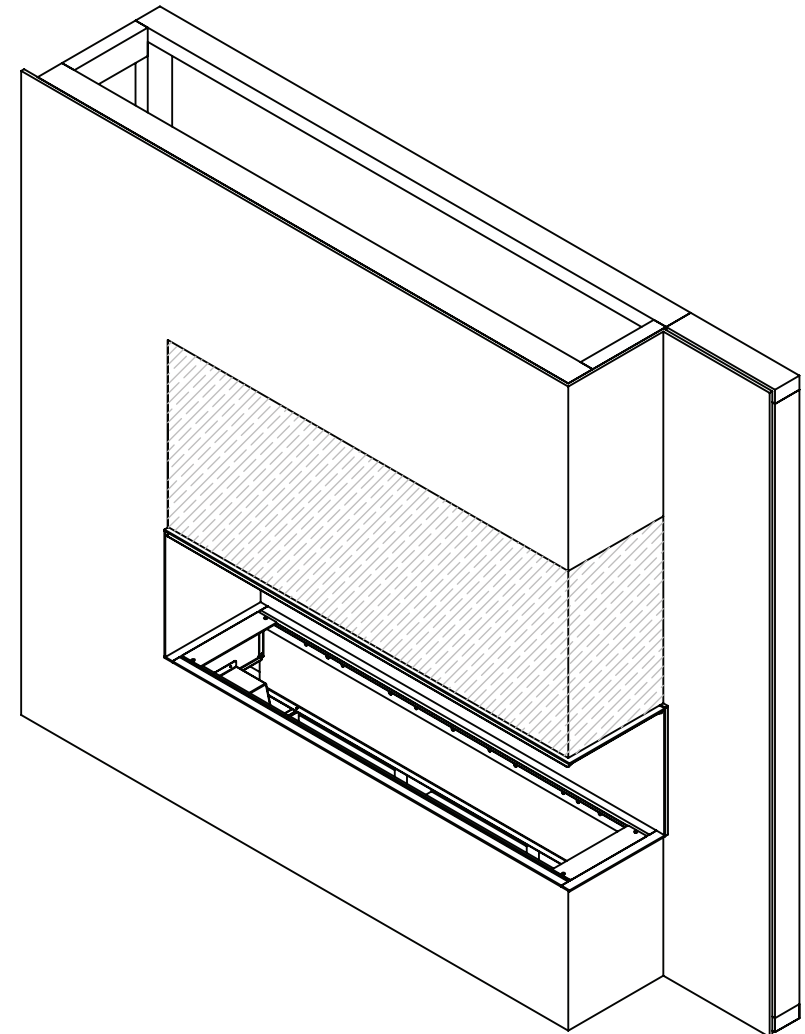
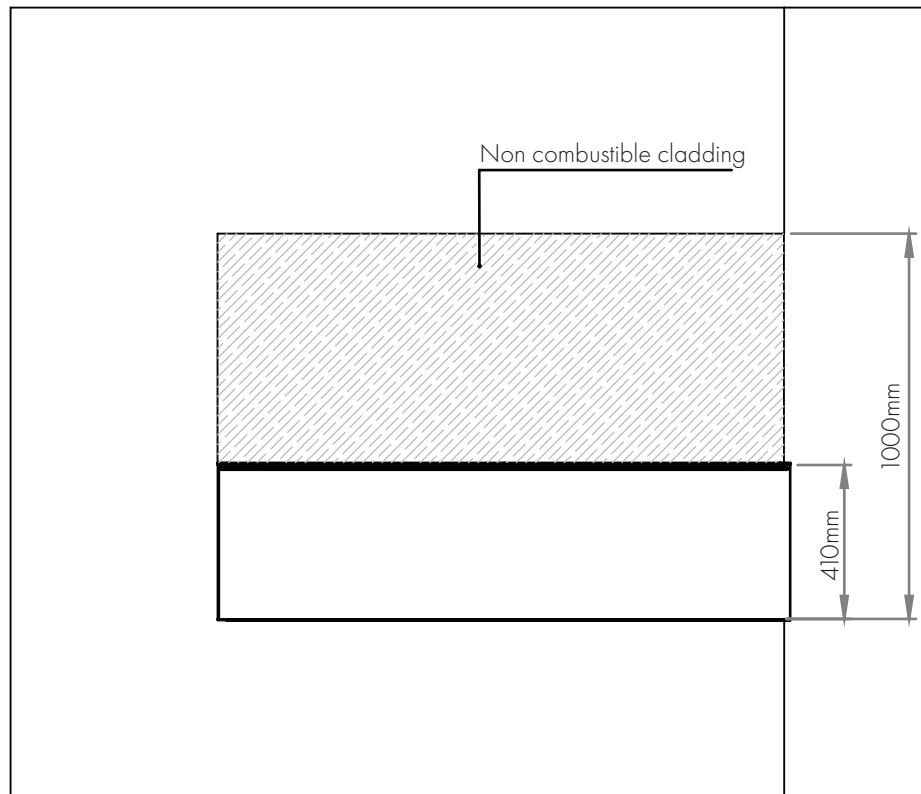
## STEP 3



## MINIMUM FRAMING DIMENSIONS

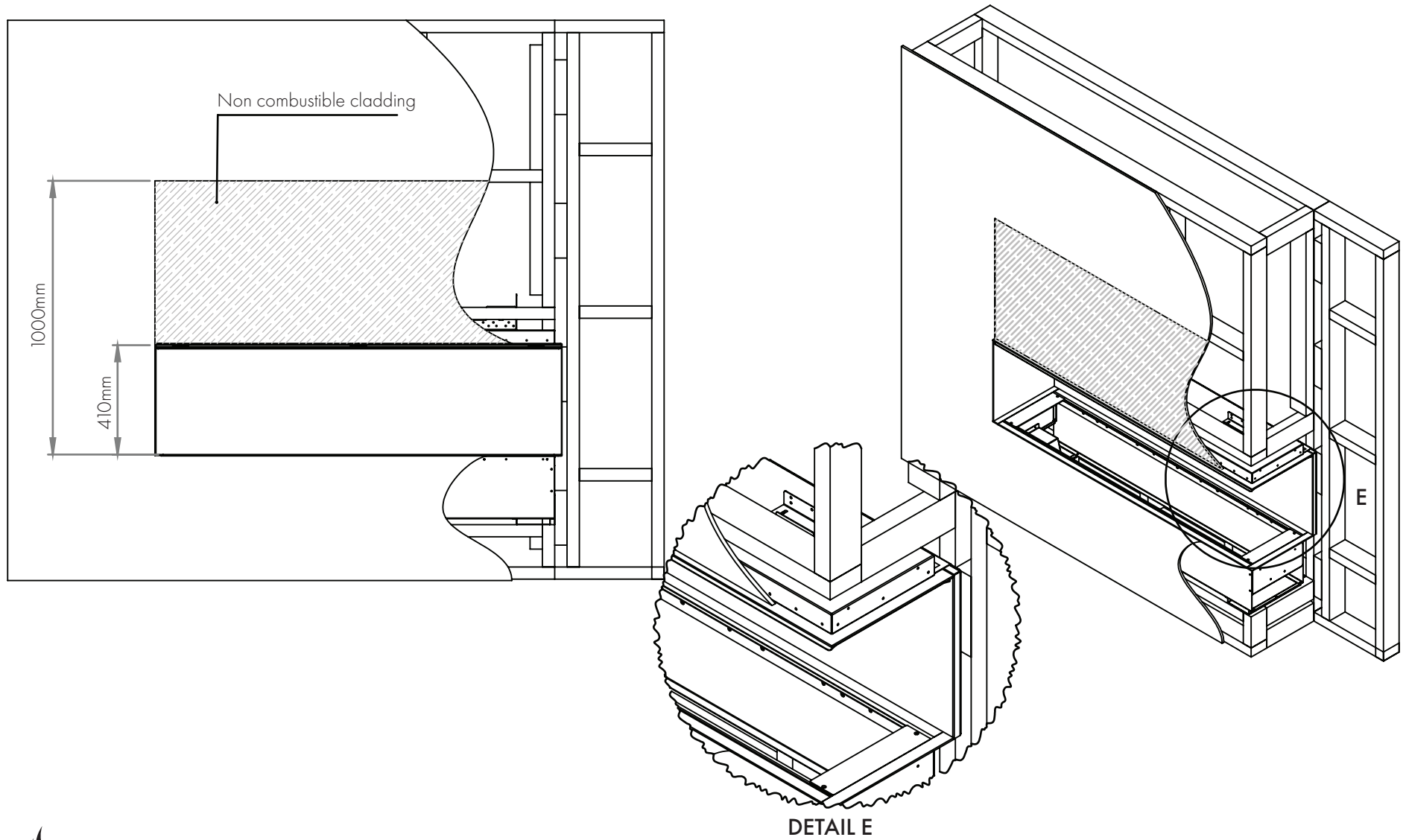
### CLADDING INSTRUCTIONS - CORNER INSTALL

ALL MODELS RECOMMENDED MATERIAL		
INSTALL	VILLABOARD 9mm - RATED TO 60 DEG C	FIRECHECK PLASTERBOARD 13MM - RATED TO 50 DEG C
SINGLE SIDED	✔	✘
ALL OTHER	✔	✔



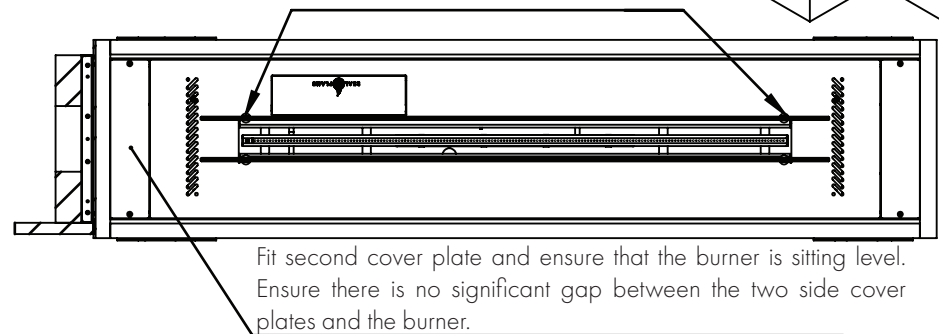
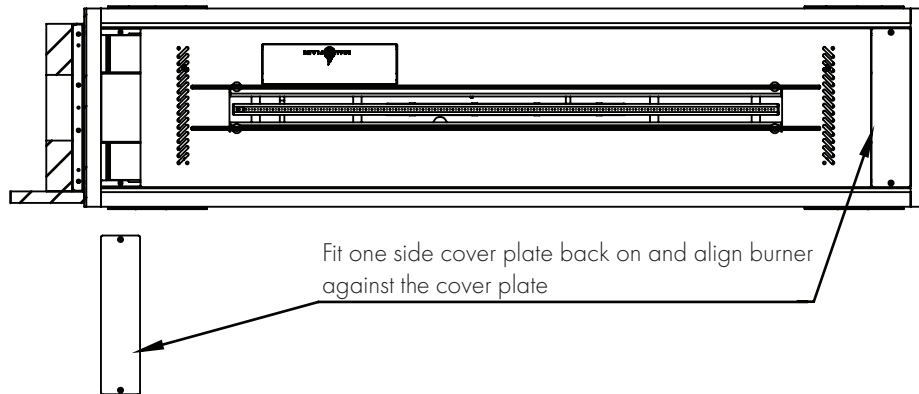
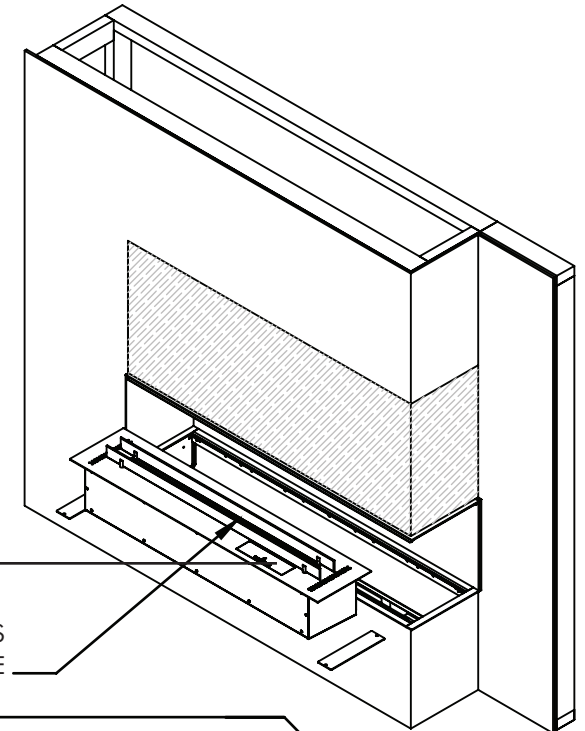
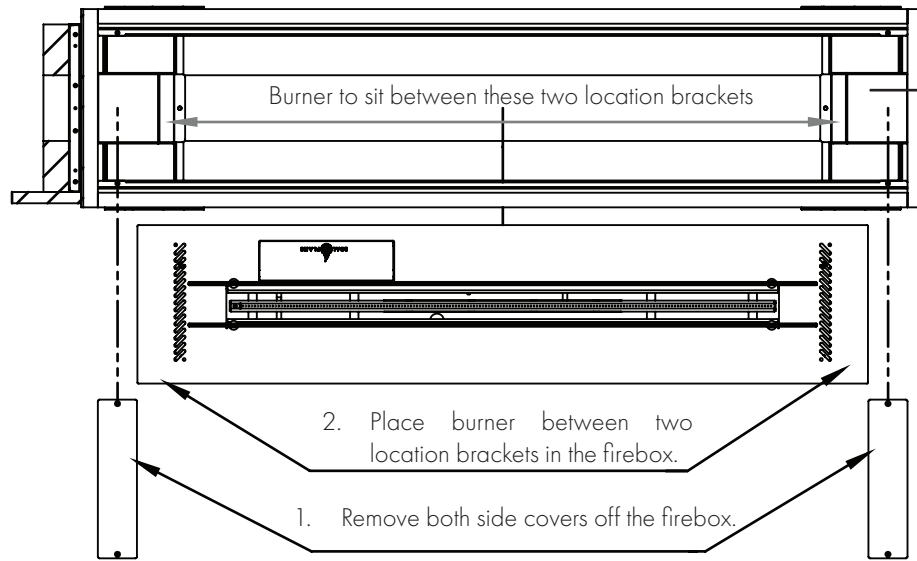
# MINIMUM FRAMING DIMENSIONS

CLADDING INSTRUCTIONS CONT. - CORNER INSTALL



# MINIMUM FRAMING DIMENSIONS

## APPLIANCE FITMENT - CORNER INSTALL

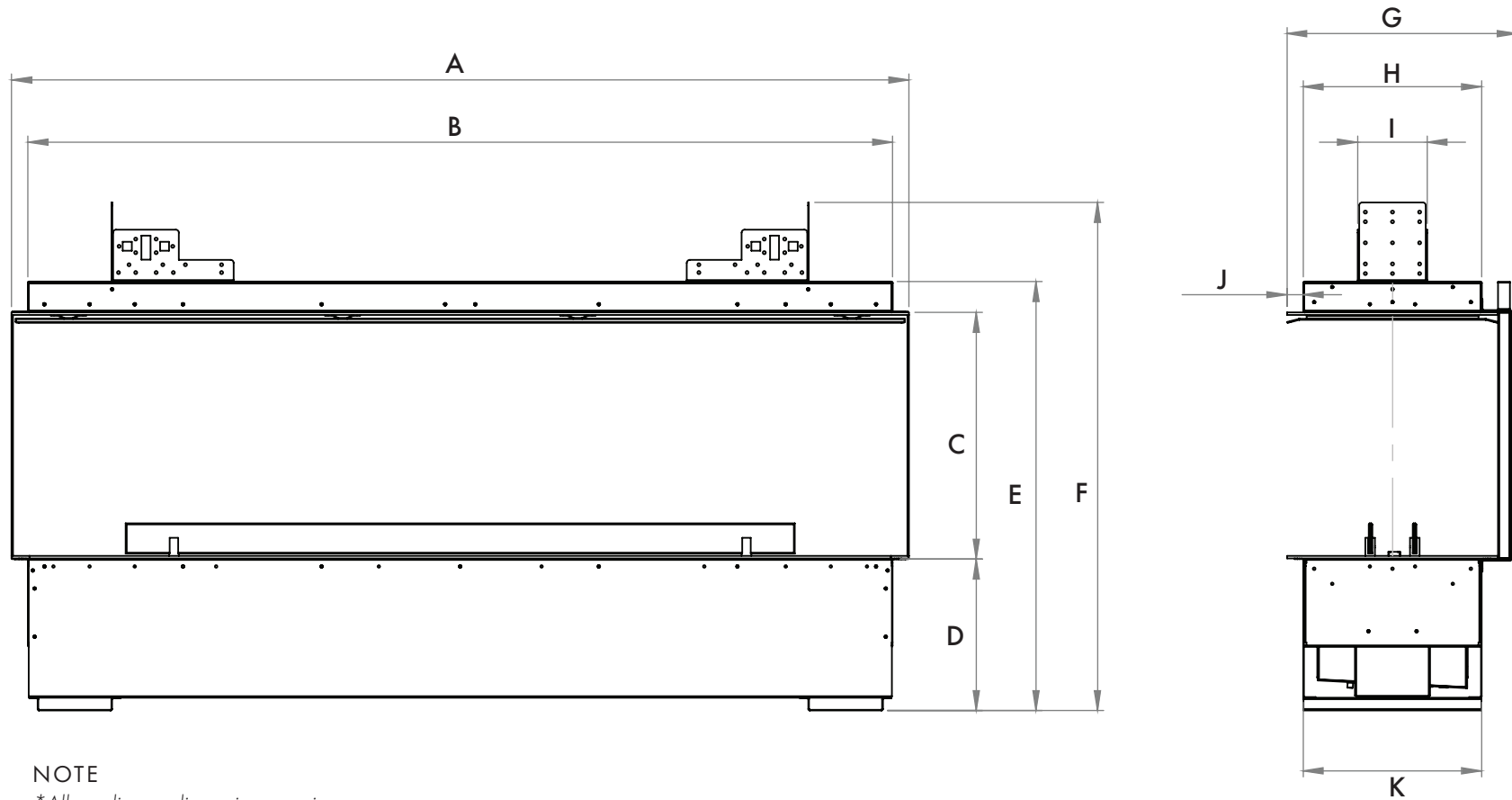


---

# THREE SIDED INSTALL INSTRUCTIONS

# SURROUND DIMENSIONS

## THREE SIDED

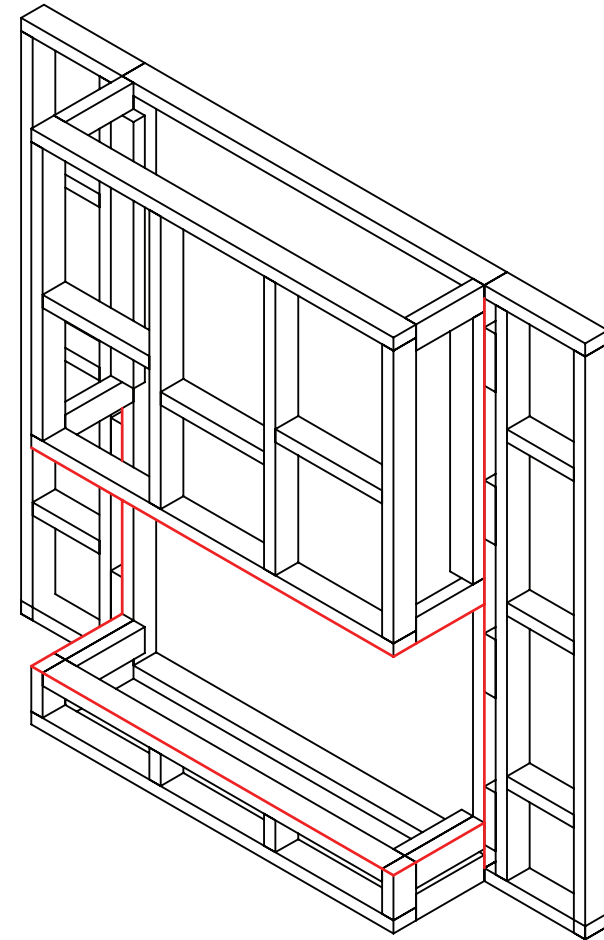
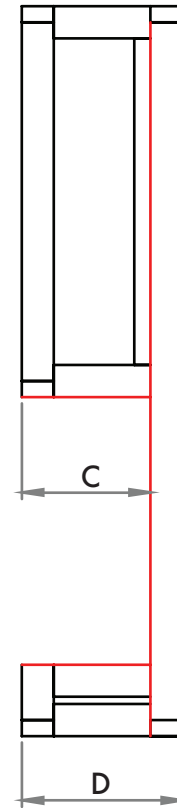
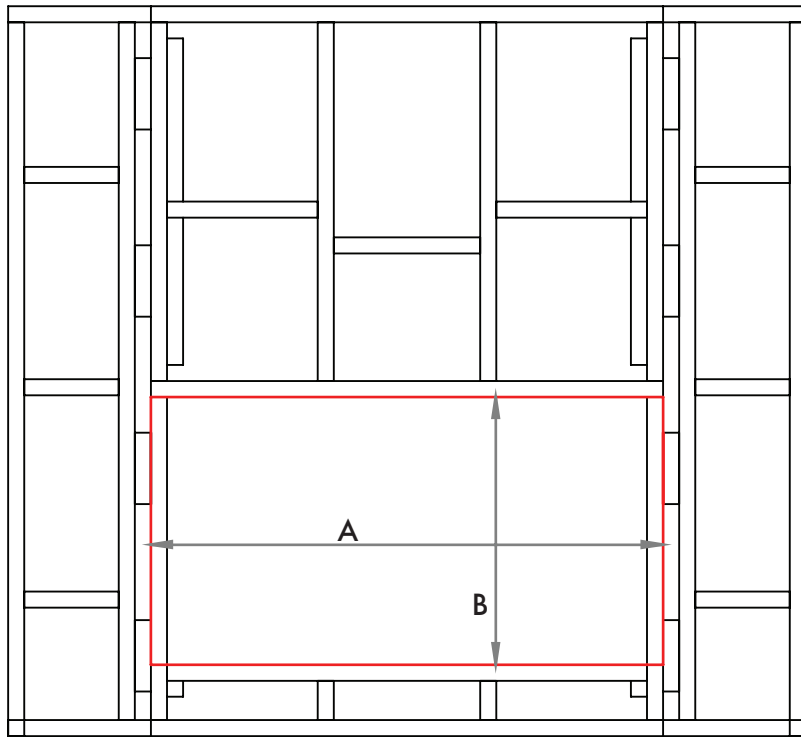


**NOTE**

*\*All appliance dimensions are in mm.*

UNIT	A	B	C	D	E	F	G	H	I	J	K
<b>890</b>	1089	1035	410	251	712	843	383	296	115	27	296
<b>1290</b>	1489	1435	410	251	712	843	383	296	115	27	296

# MINIMUM FRAMING DIMENSIONS WITH PINE FRAME



UNIT	A	B	C	D
890	1035	750	360	450
1290	1435	750	360	450

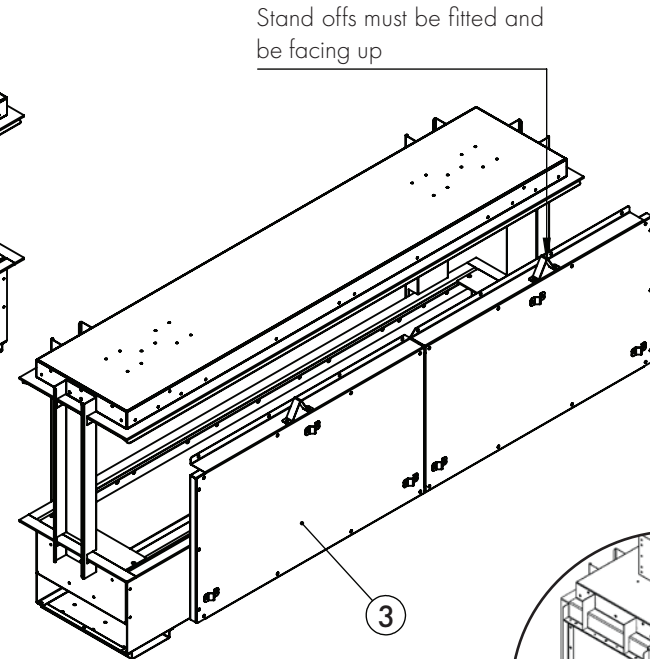
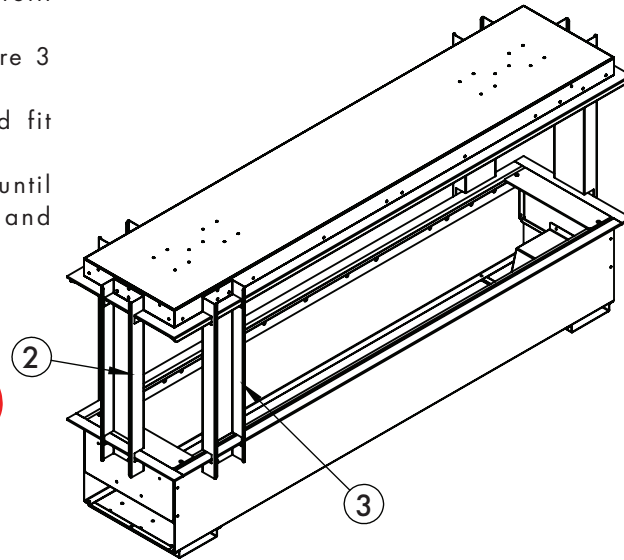
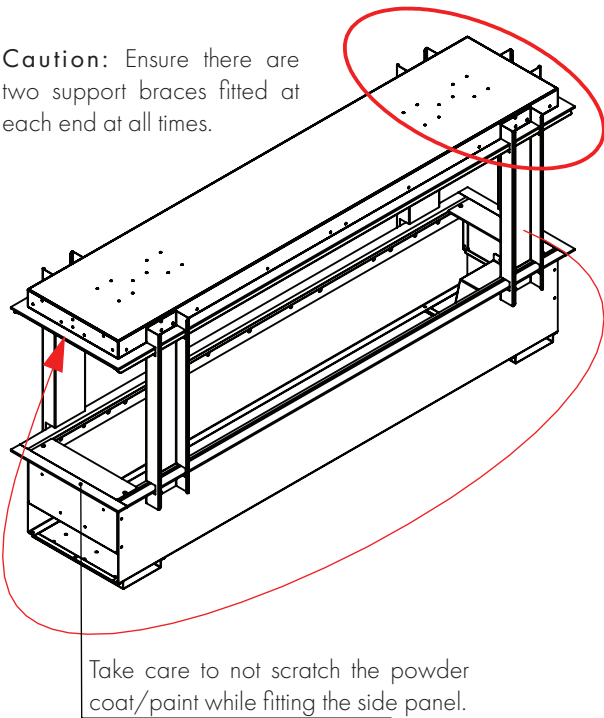
NOTE  
\*All appliance dimensions are in mm.

## ASSEMBLY INSTRUCTION

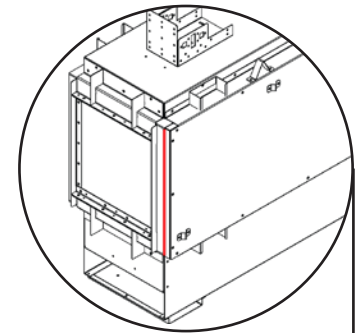
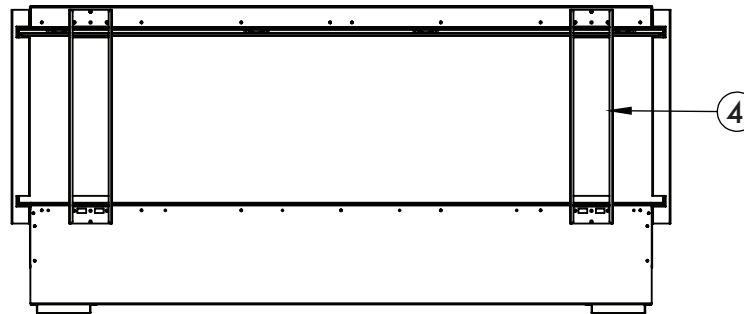
### THREE SIDED

1. Uncrate the appliance and remove all parts from within the firebox.
2. Remove support brace from the front and refit the brace to the open side as shown.
3. Remove brace from the side where there are 3 supporting braces. Remove the other front support brace and fit back panel assembly to the firebox.
4. Leave remaining support braces in place until the appliance is inserted into the frameout and is secured in place.

**Caution:** Ensure there are two support braces fitted at each end at all times.



The firebox is symmetrical. Either side can be used as front.



#### NOTE

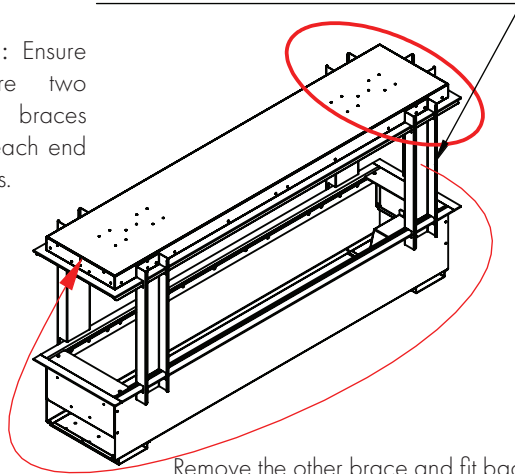
When fitting the rear panel, to prevent light shadows in corners of firebox use a bead of dark (black) silicon to seal the joint. Use silicon 150°C temperature rated.

# MINIMUM FRAMING DIMENSIONS WITH APPLIANCE AND PINE FRAME - THREE SIDED

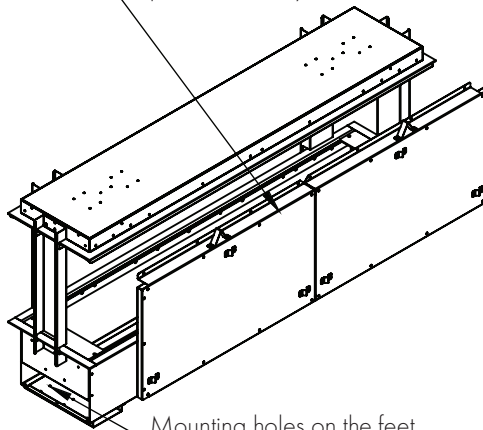
## STEP 1

Move support brace to the open side as shown.

**Caution:** Ensure there are two support braces fitted at each end at all times.

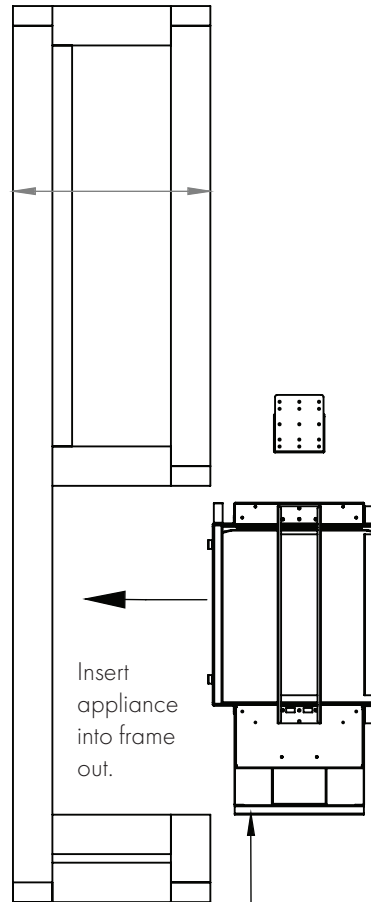


Remove the other brace and fit back panel assembly to the firebox.



Mounting holes on the feet.

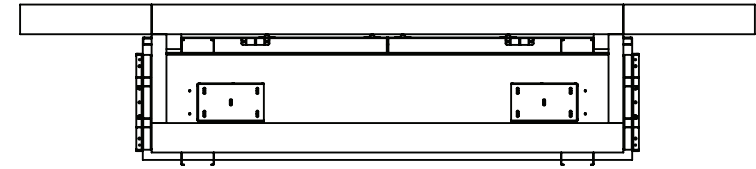
## STEP 2



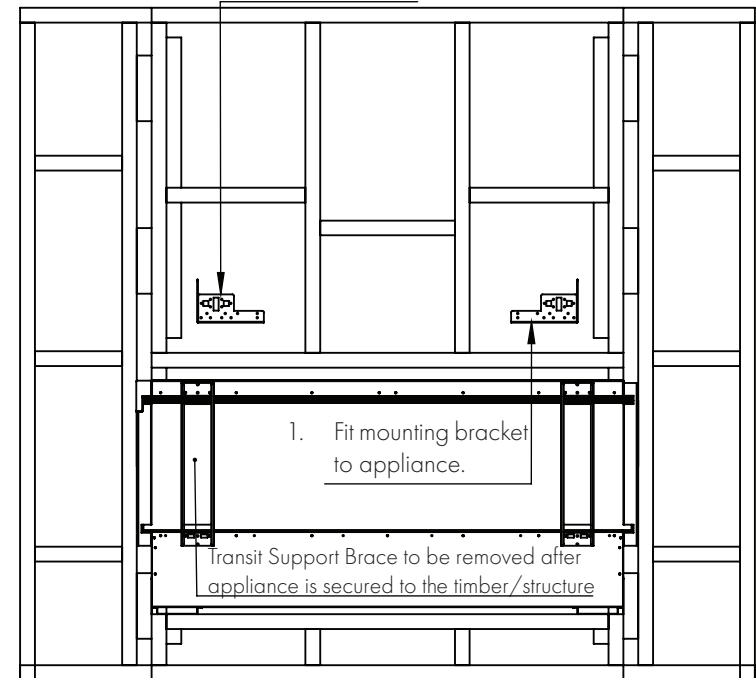
Insert appliance into frame out.

Use mounting holes provided on the feet to secure appliance if required.

## STEP 3



2. Fasten bracket to timber frame to secure appliance



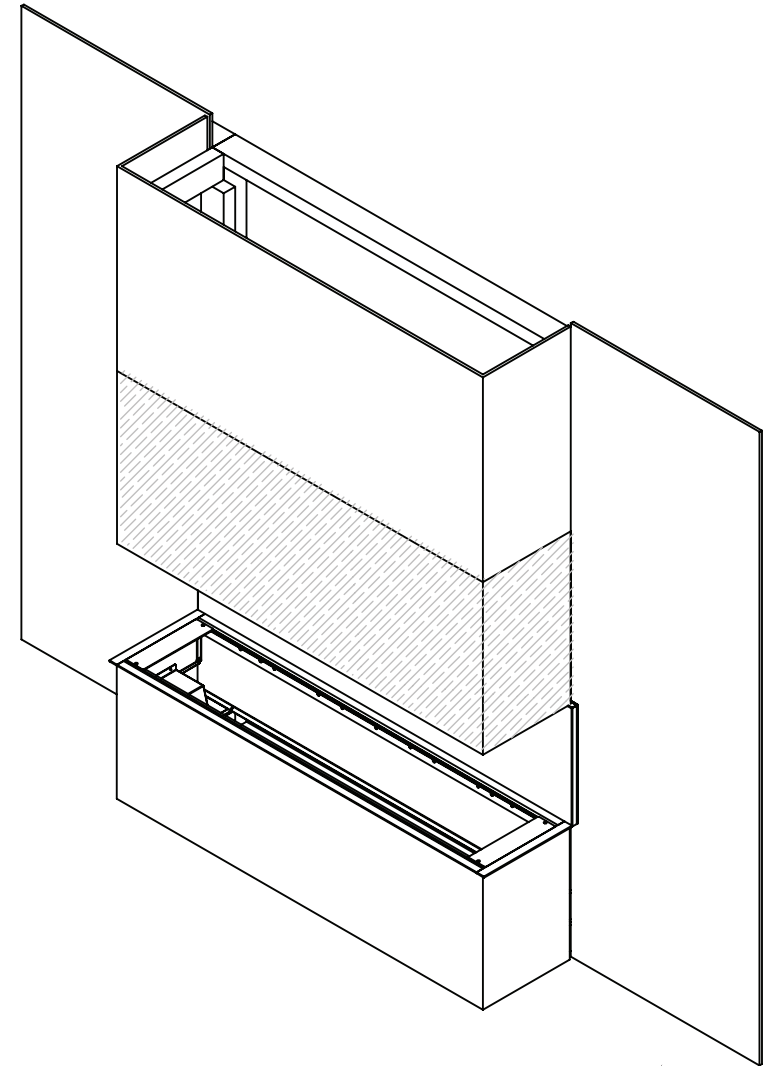
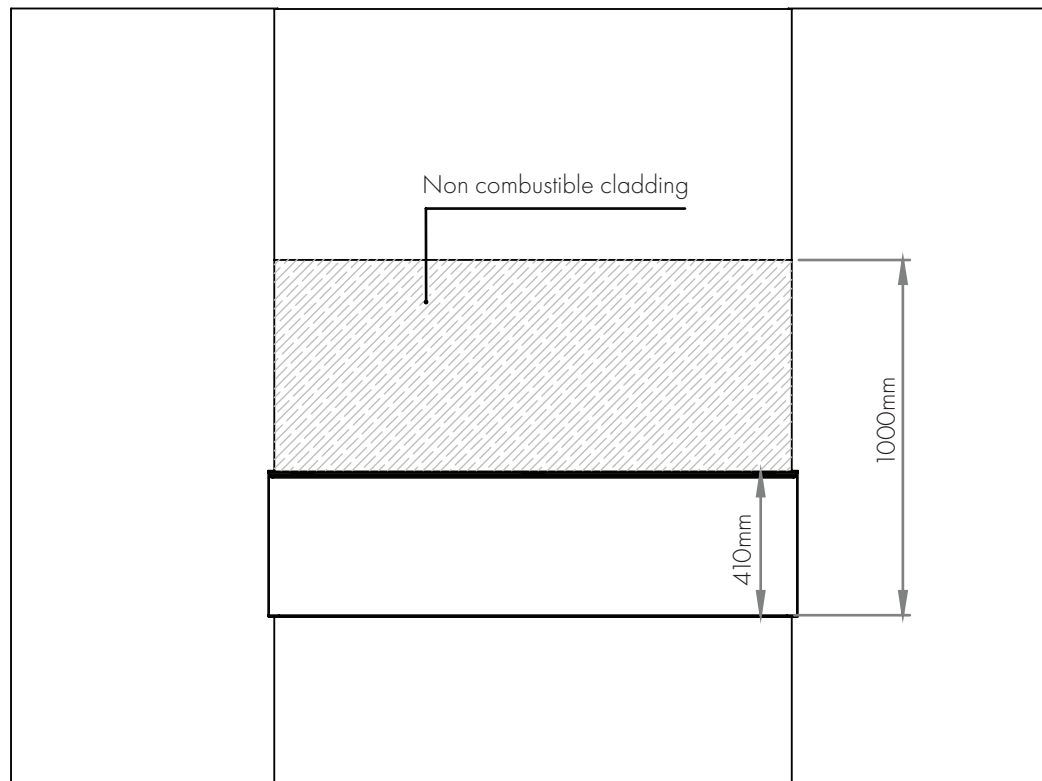
1. Fit mounting bracket to appliance.

Transit Support Brace to be removed after appliance is secured to the timber/structure

# MINIMUM FRAMING DIMENSIONS

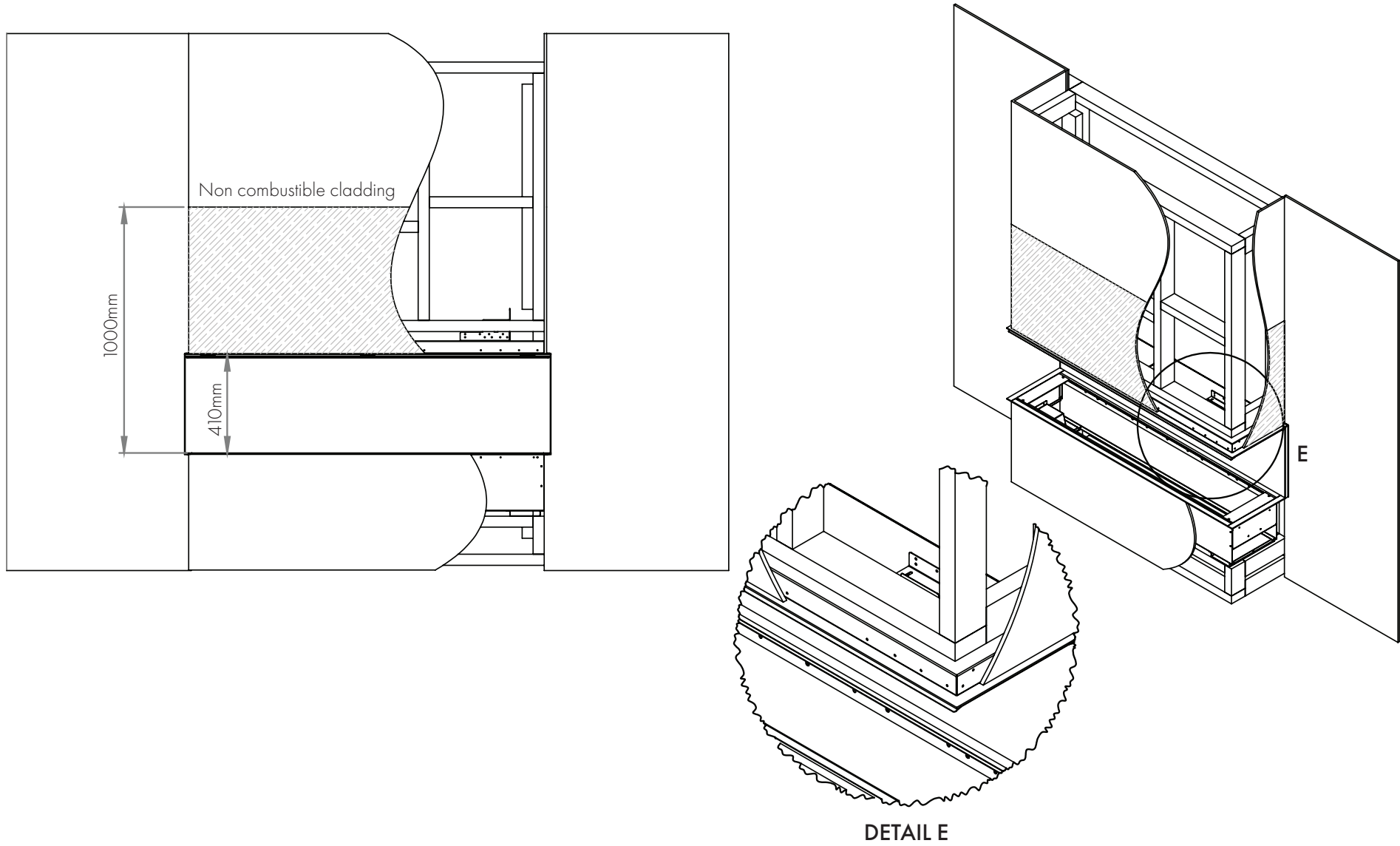
## CLADDING INSTRUCTIONS - THREE SIDED

ALL MODELS RECOMMENDED MATERIAL		
INSTALL	VILLABOARD 9mm - RATED TO 60 DEG C	FIRECHECK PLASTERBOARD 13MM - RATED TO 50 DEG C
SINGLE SIDED	✔	✘
ALL OTHER	✔	✔



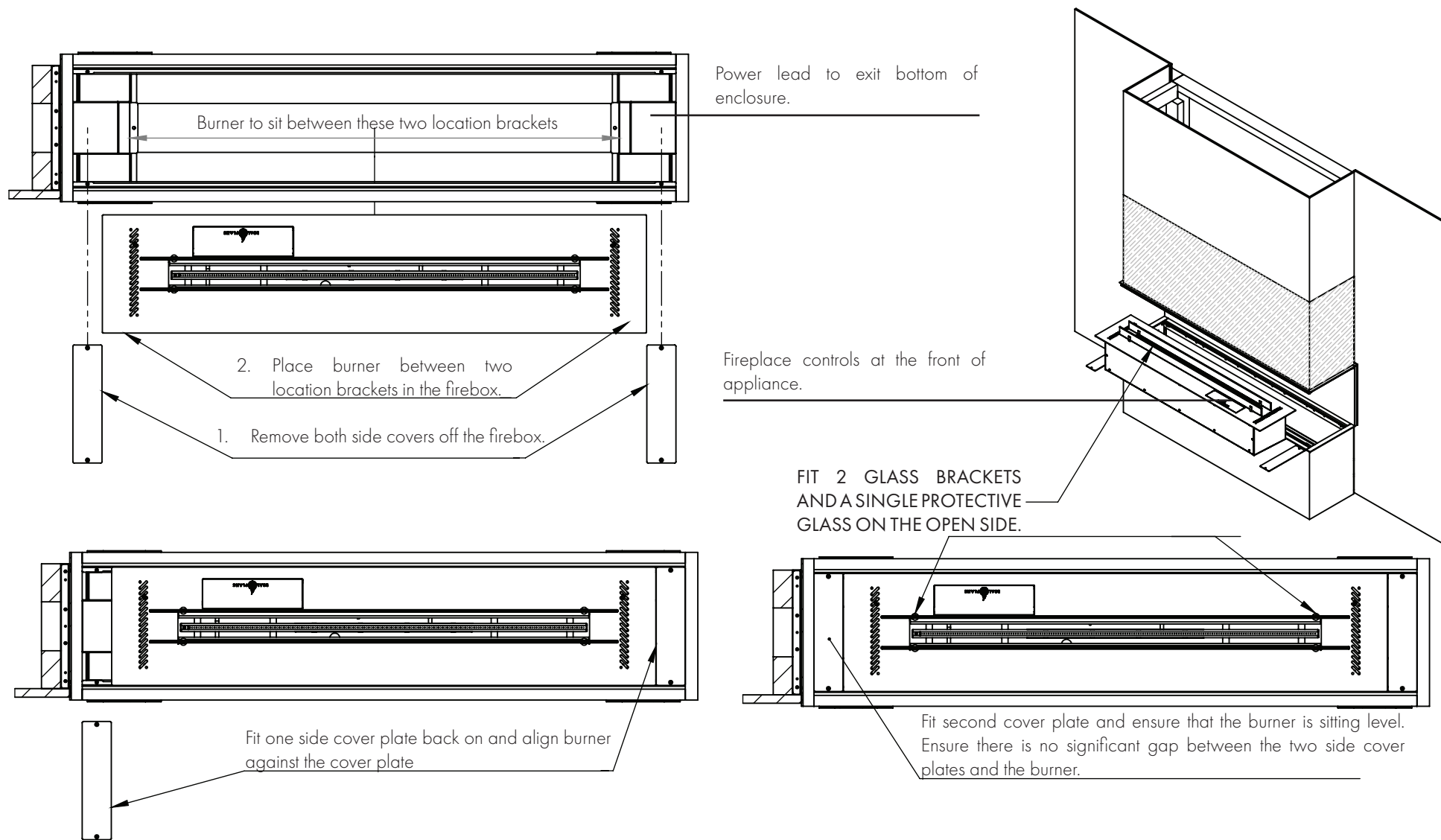
# MINIMUM FRAMING DIMENSIONS

## CLADDING INSTRUCTIONS CONT. - THREE SIDED



# MINIMUM FRAMING DIMENSIONS

## APPLIANCE FITMENT - THREE SIDED

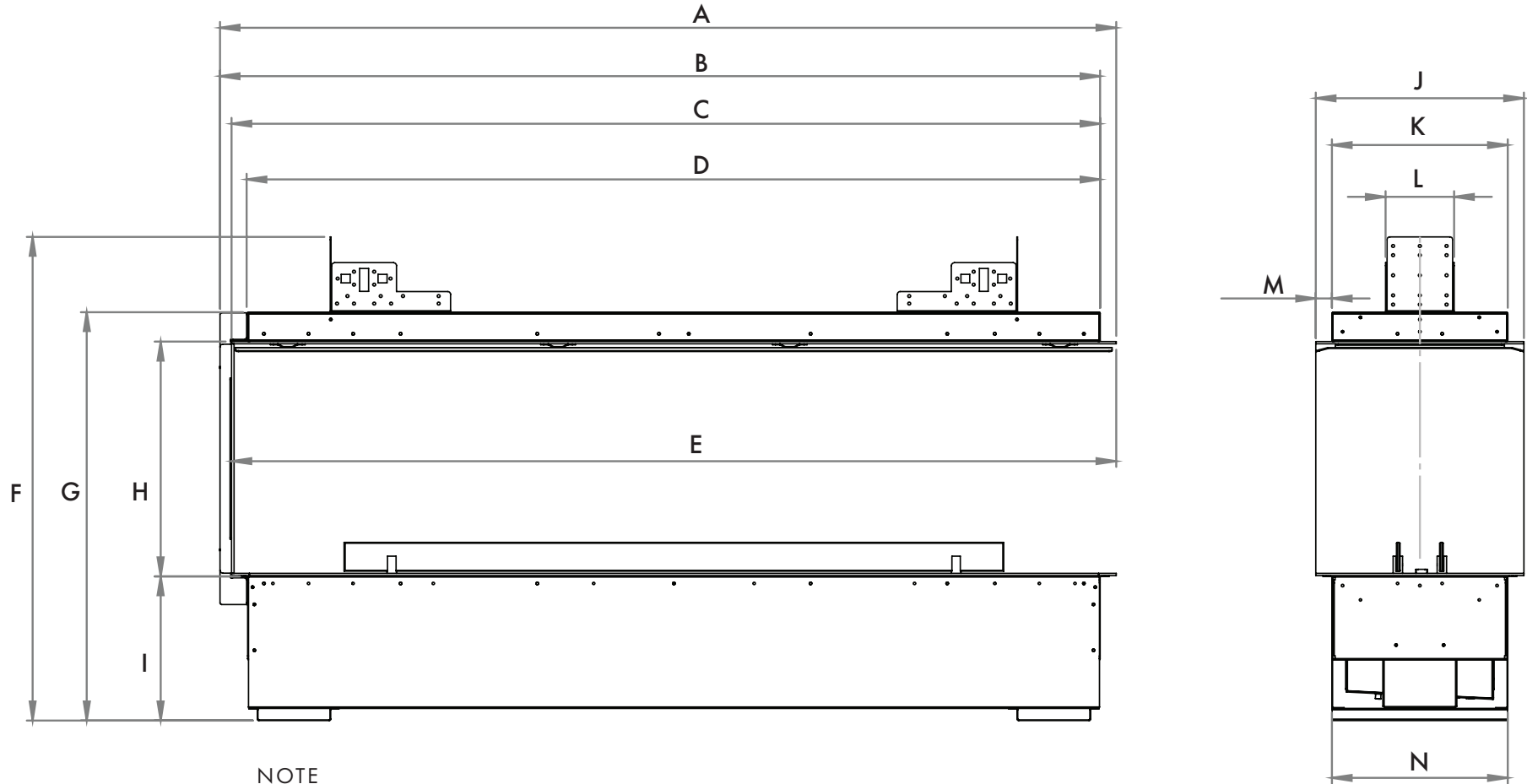


---

# ROOM DIVIDER INSTALL INSTRUCTIONS

# SURROUND DIMENSIONS

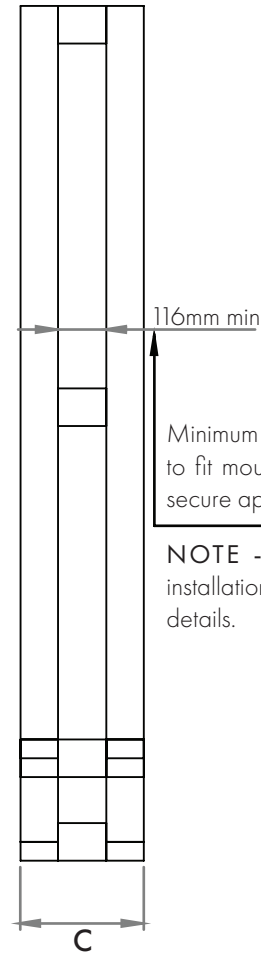
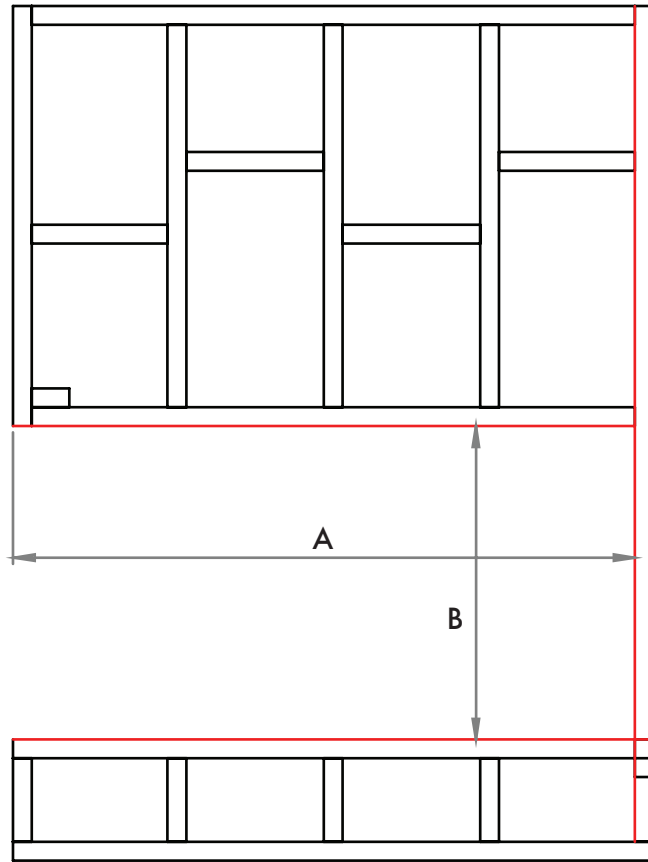
## ROOM DIVIDER



NOTE  
 \*All appliance dimensions are in mm.

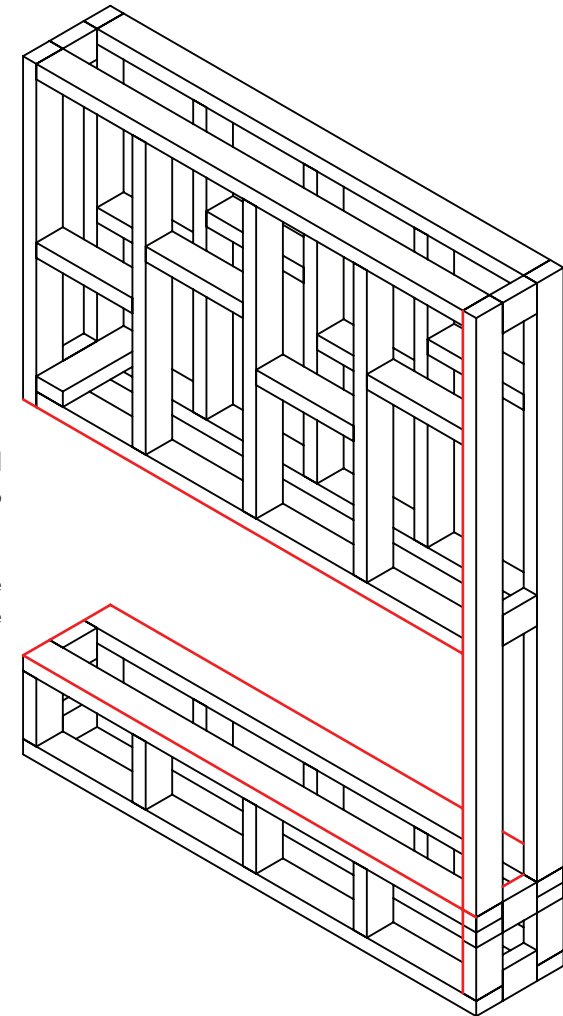
UNIT	A	B	C	D	E	F	G	H	I	J	K	L	M	N
<b>890</b>	1109	1082	1062	1035	1089	843	712	410	251	350	296	115	27	296
<b>1290</b>	1509	1482	1462	1435	1489	843	712	410	251	350	296	115	27	296

# MINIMUM FRAMING DIMENSIONS WITH PINE FRAME



116mm min  
Minimum gap required to fit mounting brackets to secure appliance.

NOTE - Refer appliance installation page for more details.



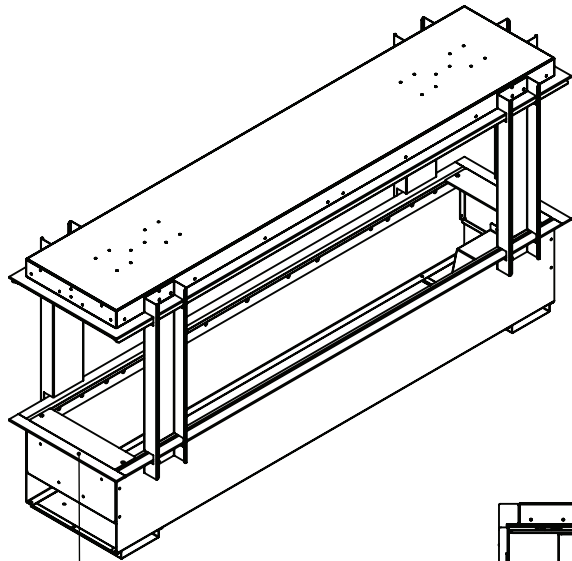
NOTE  
\*All appliance dimensions are in mm.

UNIT	A	B	C
890	1090	750	296
1290	1490	750	296

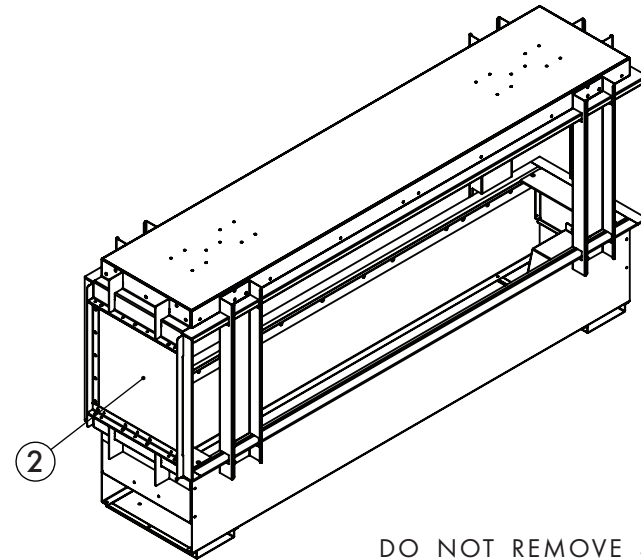
## ASSEMBLY INSTRUCTION

### ROOM DIVIDER

1. Uncrate the appliance and remove all parts from within the firebox.
2. Fit side wall panel assembly to open side.
3. Leave all remaining support braces in place. Braces to be removed after the appliance is inserted into the frameout and is secured in place using the supplied support brackets.

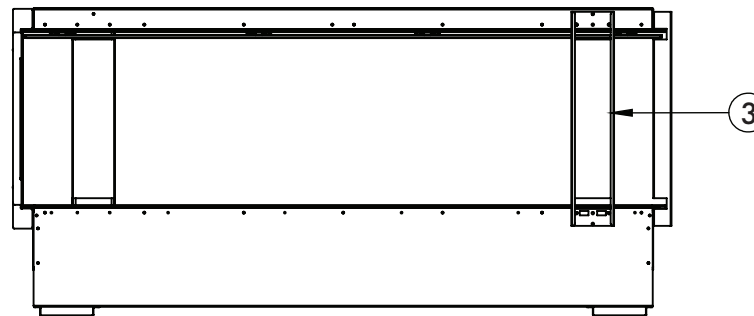


Take care to not scratch the powder coat/paint while fitting the side panel.



The firebox is symmetrical. Either side can be used as front.

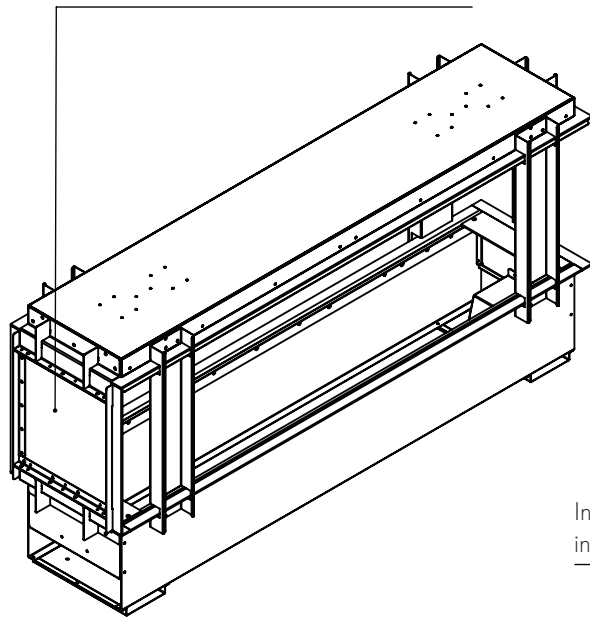
DO NOT REMOVE SUPPORT BRACES UNTIL APPLIANCE IS INSERTED INTO THE FRAMEOUT AND IS SECURED TO THE STRUCTURE.



# MINIMUM FRAMING DIMENSIONS WITH APPLIANCE AND PINE FRAME - ROOM DIVIDER

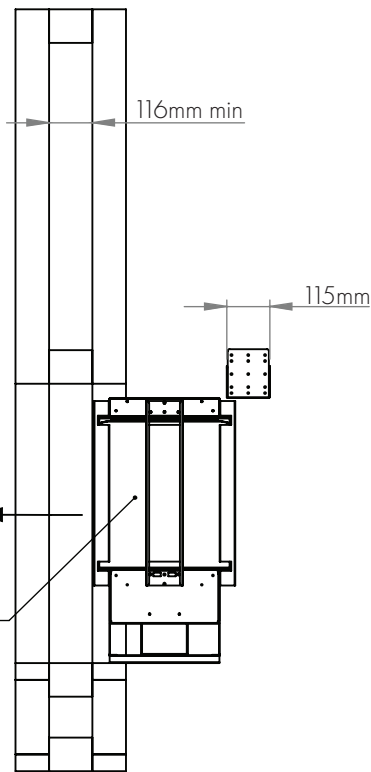
STEP 1

Uncrate appliance and fit side wall assembly to one end of the appliance.

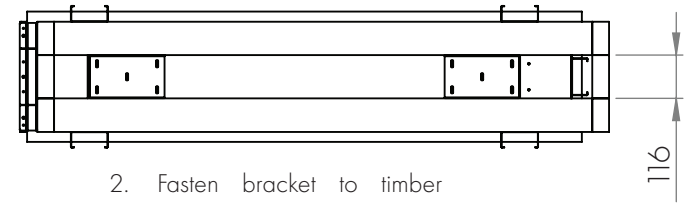


STEP 2

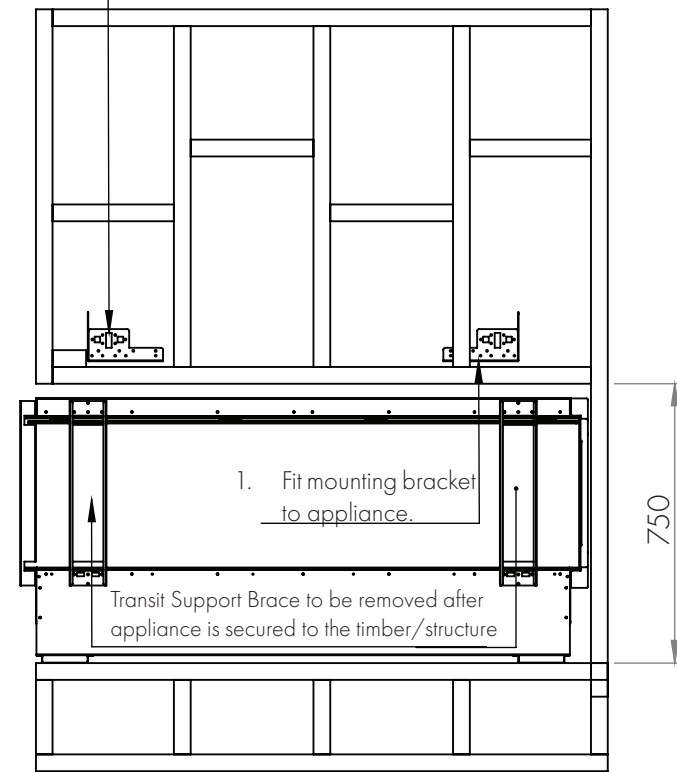
Insert appliance into frame out.



STEP 3



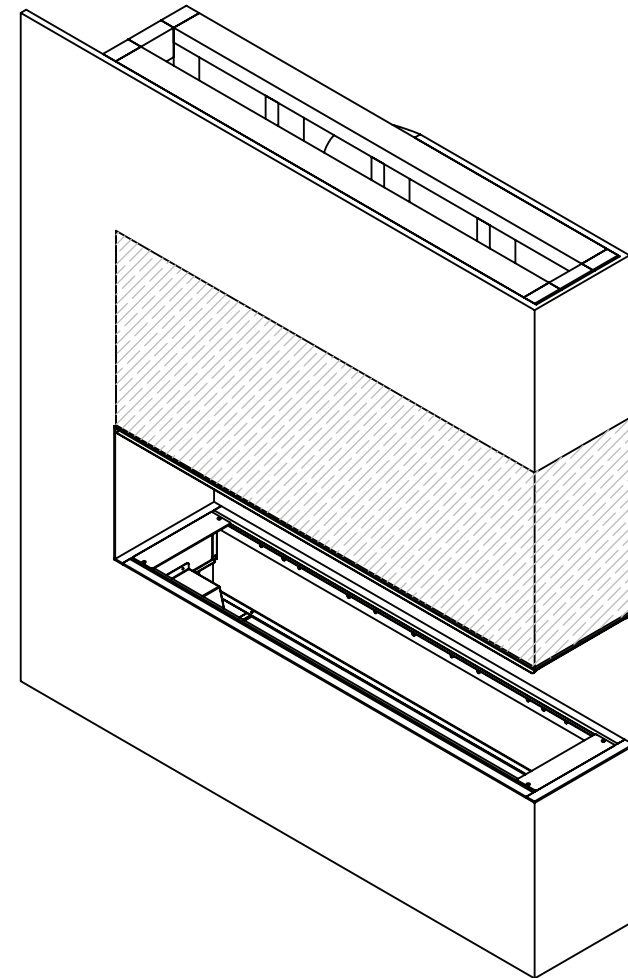
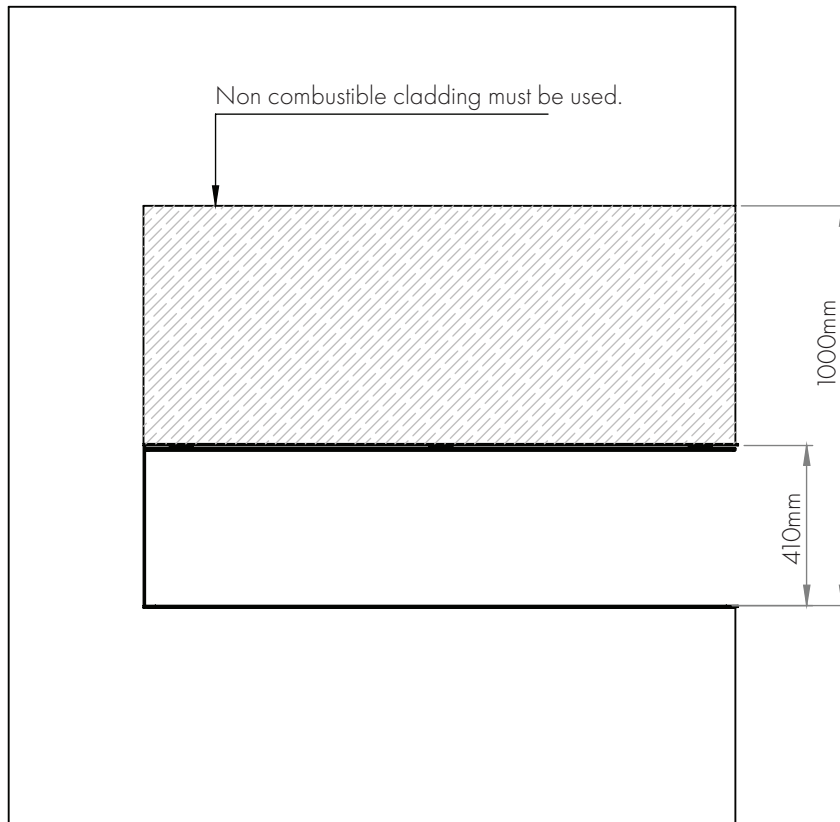
2. Fasten bracket to timber frame to secure appliance



# MINIMUM FRAMING DIMENSIONS

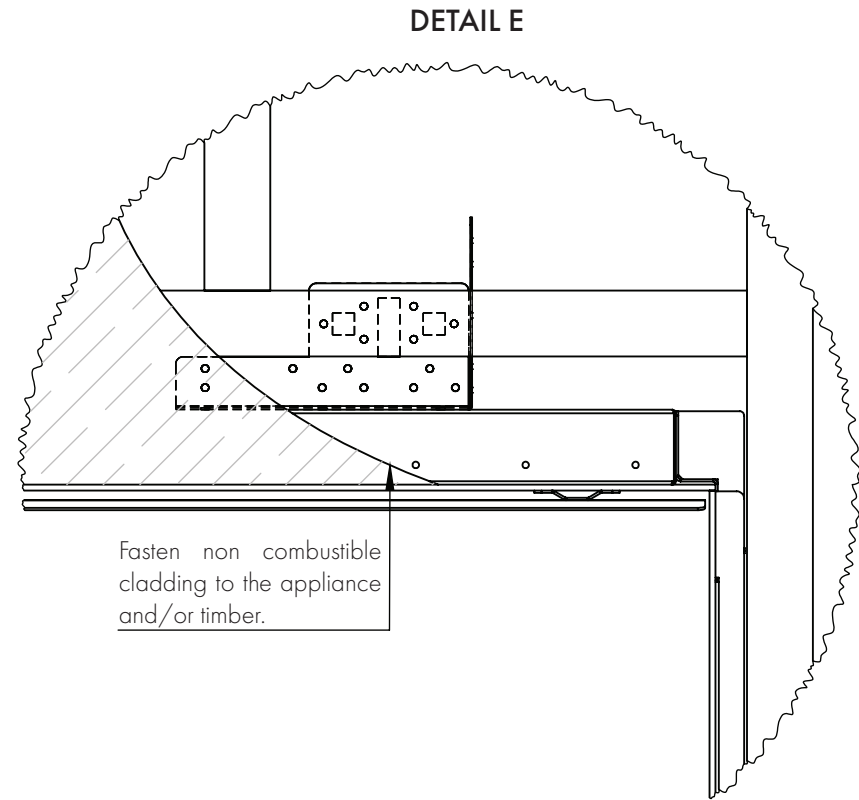
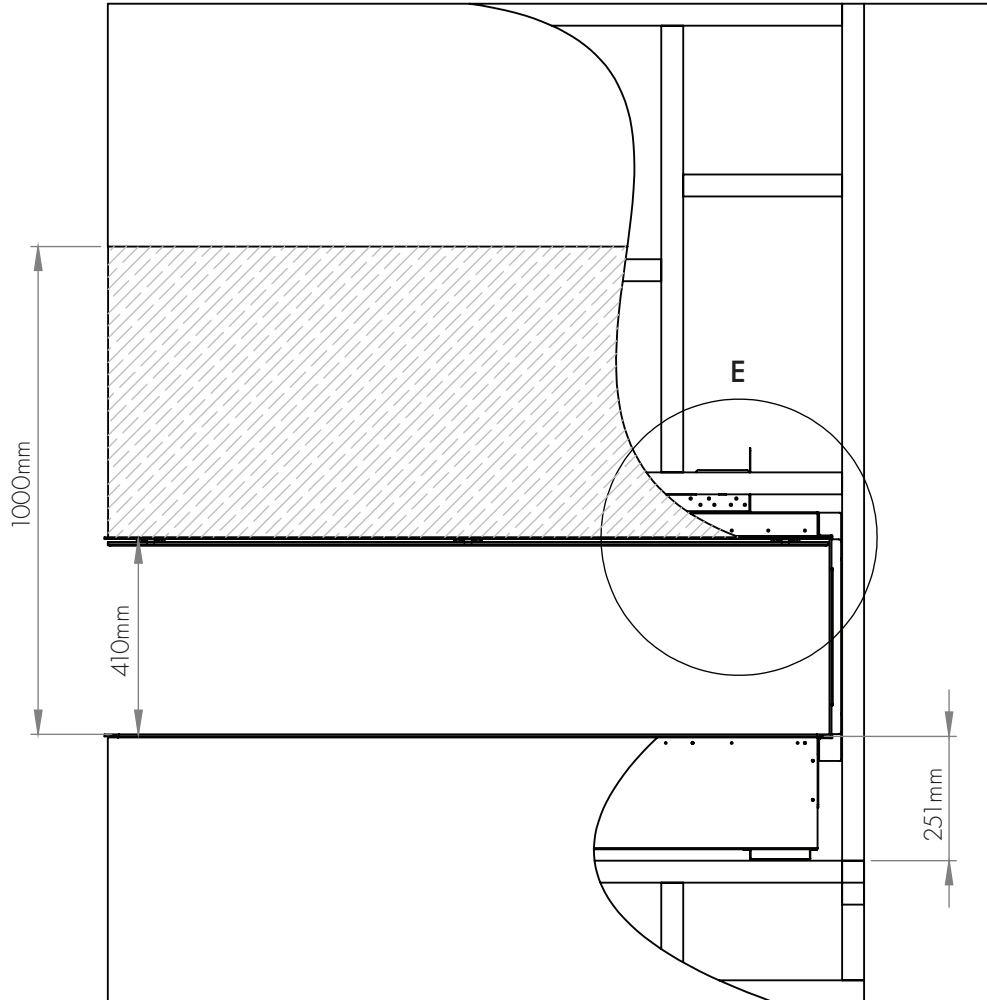
## CLADDING INSTRUCTIONS - ROOM DIVIDER

ALL MODELS RECOMMENDED MATERIAL		
INSTALL	VILLABOARD 9mm - RATED TO 60 DEG C	FIRECHECK PLASTERBOARD 13MM - RATED TO 50 DEG C
SINGLE SIDED	✓	✗
ALL OTHER	✓	✓



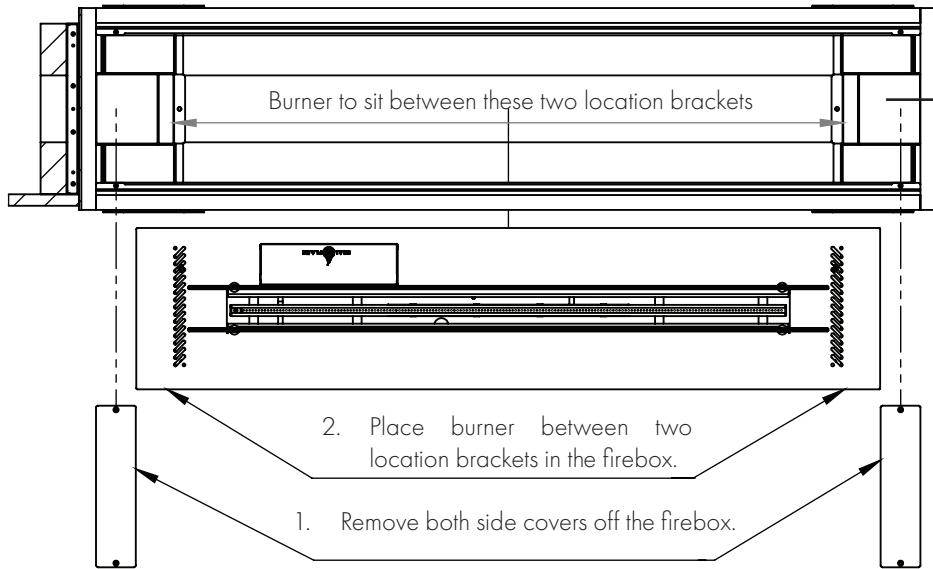
# MINIMUM FRAMING DIMENSIONS

## CLADDING INSTRUCTIONS CONT. -ROOM DIVIDER

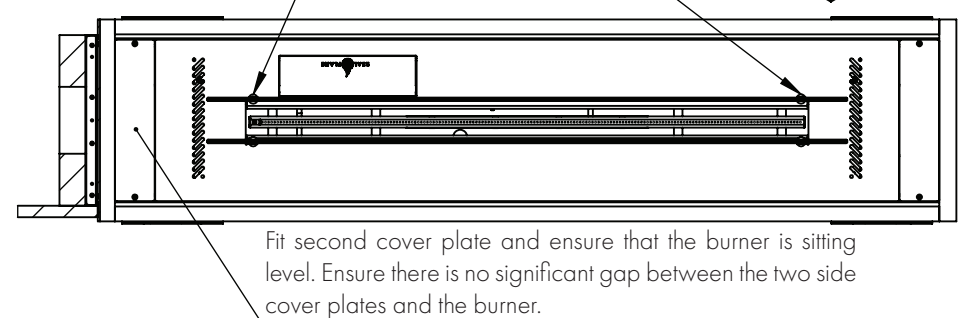
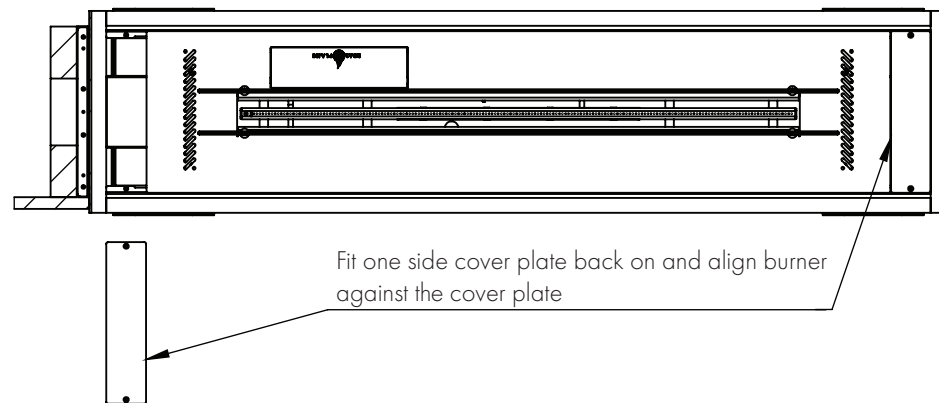
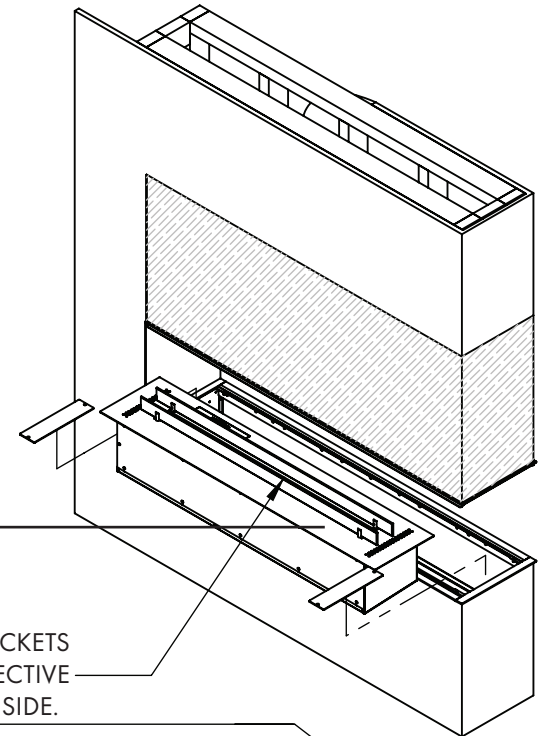


# MINIMUM FRAMING DIMENSIONS

## APPLIANCE FITMENT - ROOM DIVIDER



Power lead to exit bottom of enclosure.

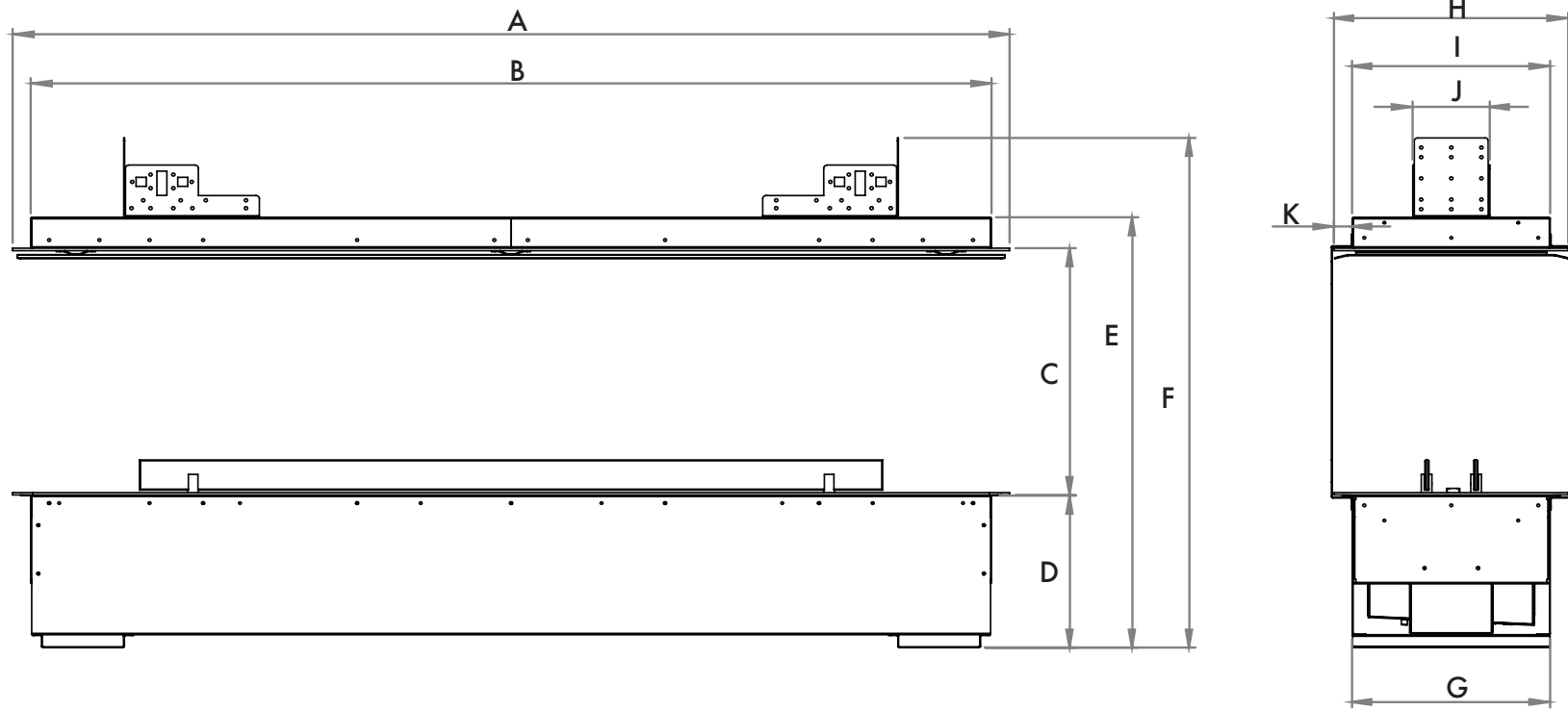


---

# FOUR SIDED INSTALL INSTRUCTIONS

# SURROUND DIMENSIONS

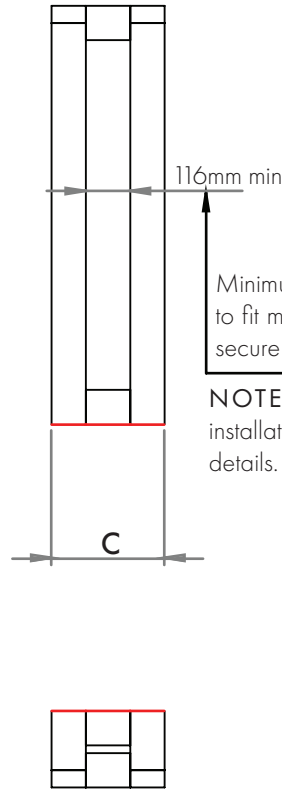
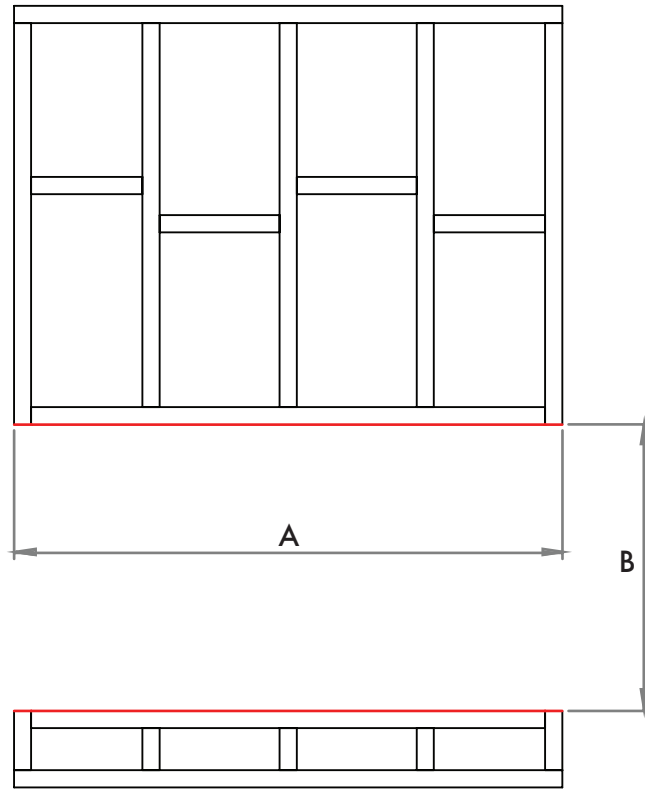
## FOUR SIDED



UNIT	A	B	C	D	E	F	G	H	I	J	K
890	1089	1035	410	251	712	843	296	350	296	115	27
1290	1489	1435	410	251	712	843	296	350	296	115	27

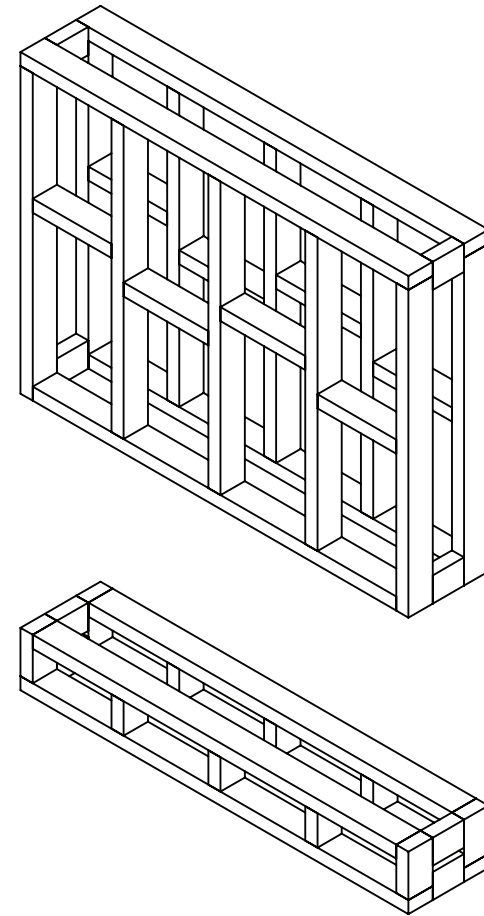
NOTE  
\*All appliance dimensions are in mm.

# MINIMUM FRAMING DIMENSIONS WITH PINE FRAME



Minimum gap required to fit mounting brackets to secure appliance.

NOTE - Refer appliance installation page for more details.



UNIT	A	B	C
890	1035	750	296
1290	1435	750	296

NOTE  
\*All appliance dimensions are in mm.

---

## ASSEMBLY INSTRUCTION

### FOUR SIDED

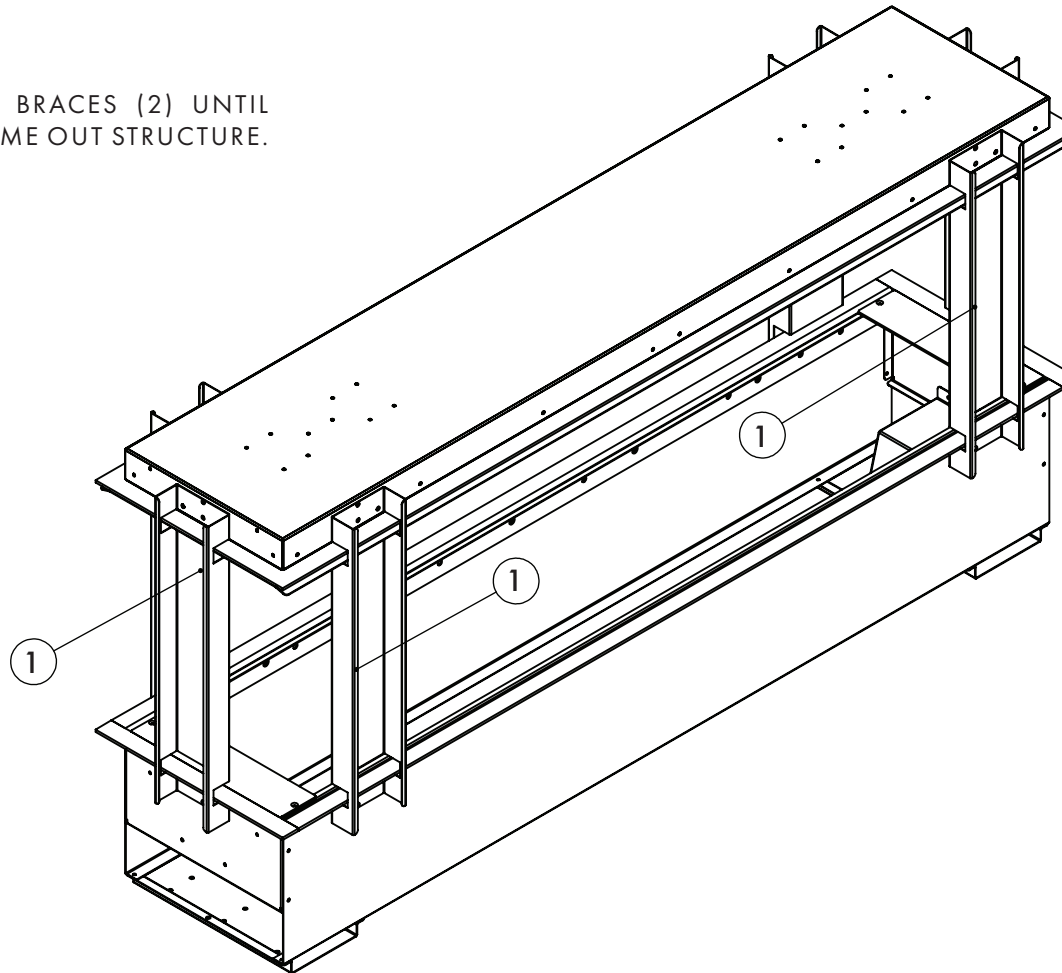
#### STEP 1

- Remove crate and packaging.
- Remove all components packed within the firebox

DO NOT REMOVE THE 4 TRANSIT BRACES (2) UNTIL APPLIANCE IS ATTACHED TO THE FRAME OUT STRUCTURE.

#### STEP 2

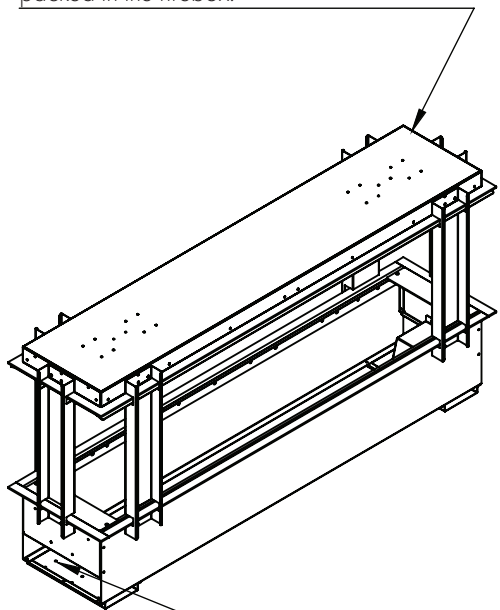
- Insert appliance into the frameout. Refer frameout drawings for further instructions.



# MINIMUM FRAMING DIMENSIONS WITH APPLIANCE AND PINE FRAME - FOUR SIDED

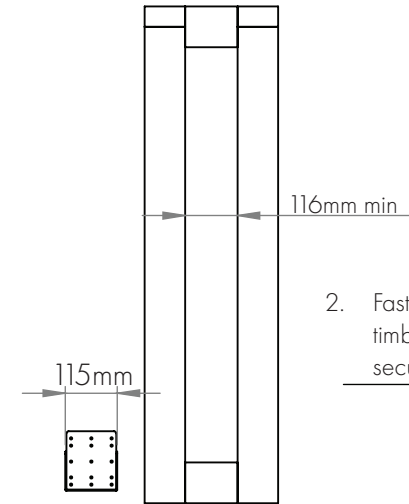
STEP 1

Uncrate appliance and remove all components packed in the firebox.



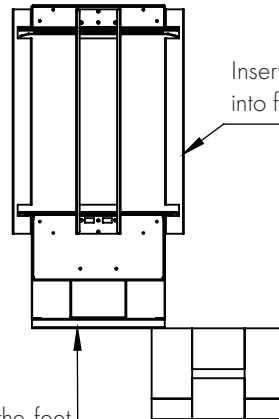
Use mounting holes on the feet to secure appliance in place.

STEP 2

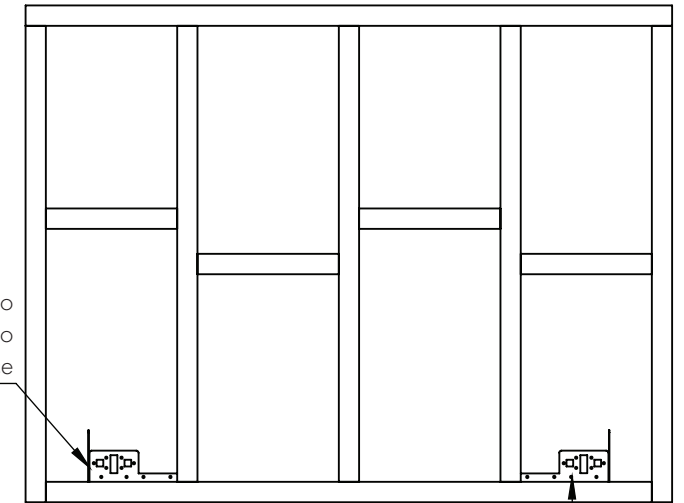


2. Fasten bracket to timber frame to secure appliance

Insert appliance into frame out.

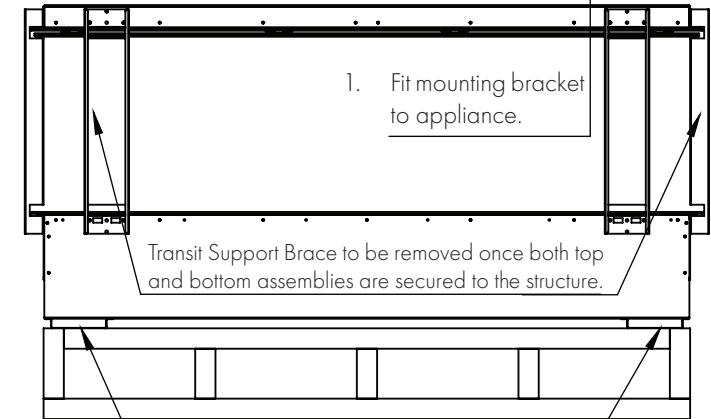


STEP 3



1. Fit mounting bracket to appliance.

Transit Support Brace to be removed once both top and bottom assemblies are secured to the structure.

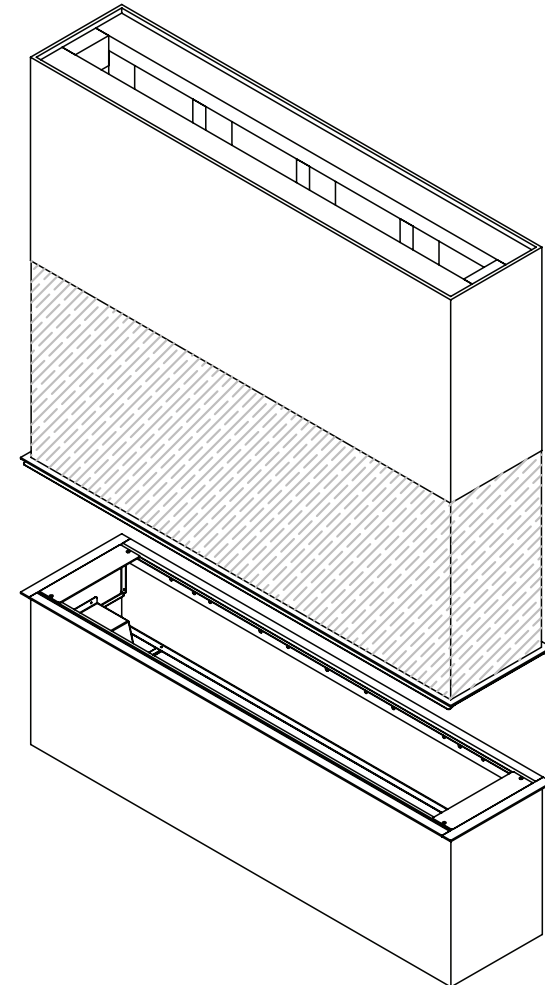
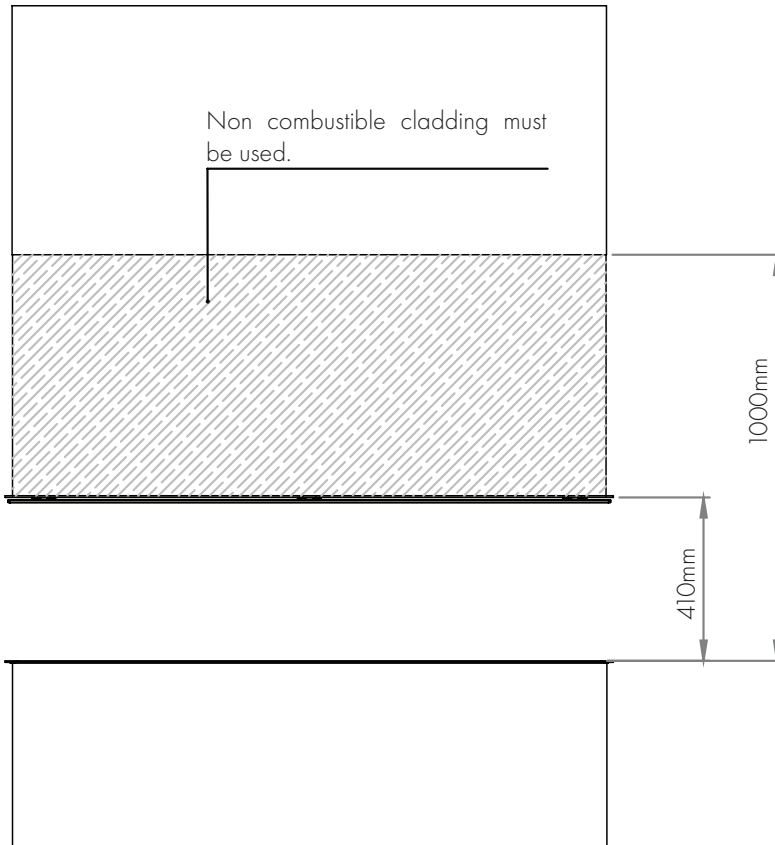


3. Use the two holes on the feet to fasten/secure bottom assembly to timber frame

# MINIMUM FRAMING DIMENSIONS

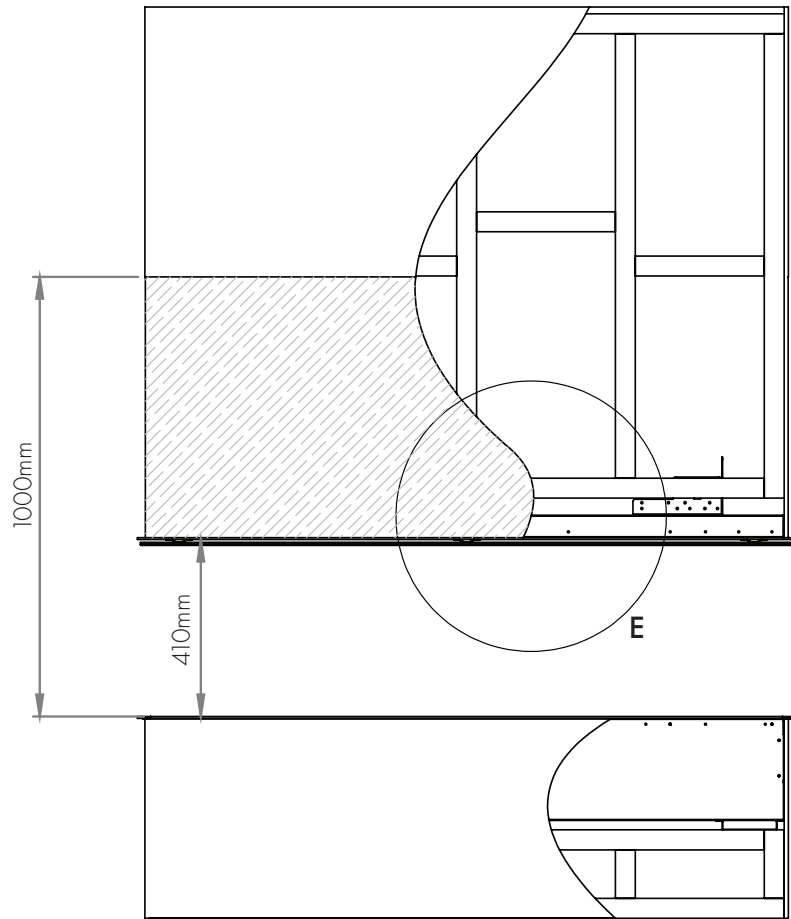
## CLADDING INSTRUCTIONS - FOUR SIDED

ALL MODELS RECOMMENDED MATERIAL		
INSTALL	VILLABOARD 9mm - RATED TO 60 DEG C	FIRECHECK PLASTERBOARD 13MM - RATED TO 50 DEG C
SINGLE SIDED	✔	✘
ALL OTHER	✔	✔

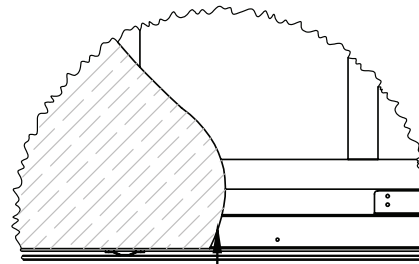


# MINIMUM FRAMING DIMENSIONS

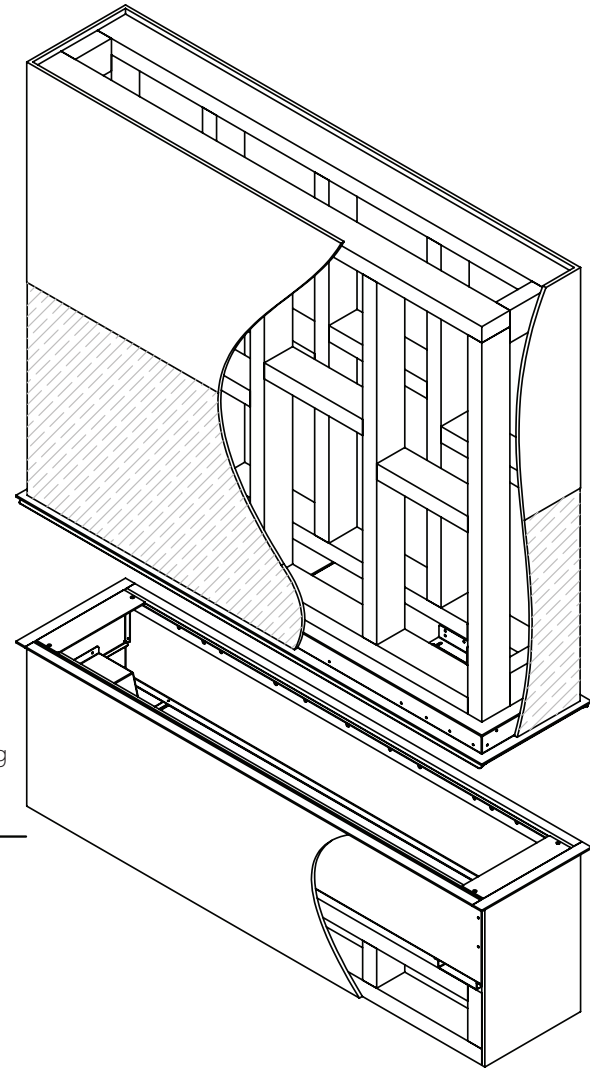
## CLADDING INSTRUCTIONS CONT. -FOUR SIDED



DETAIL E

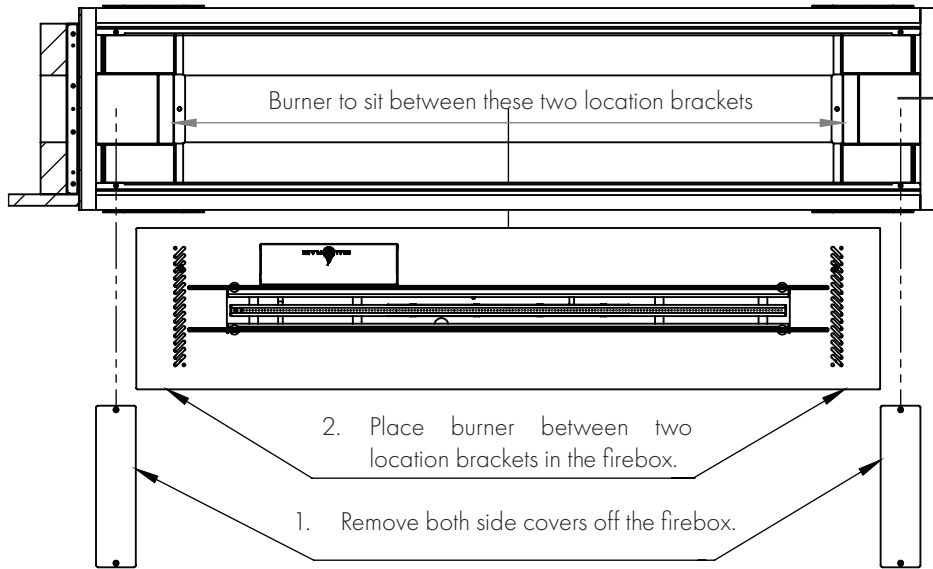


Fasten non  
combustible cladding  
to the appliance  
and/or timber.

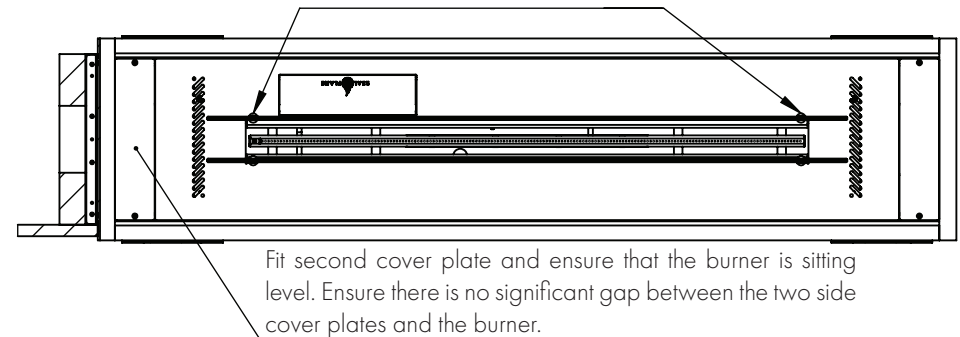
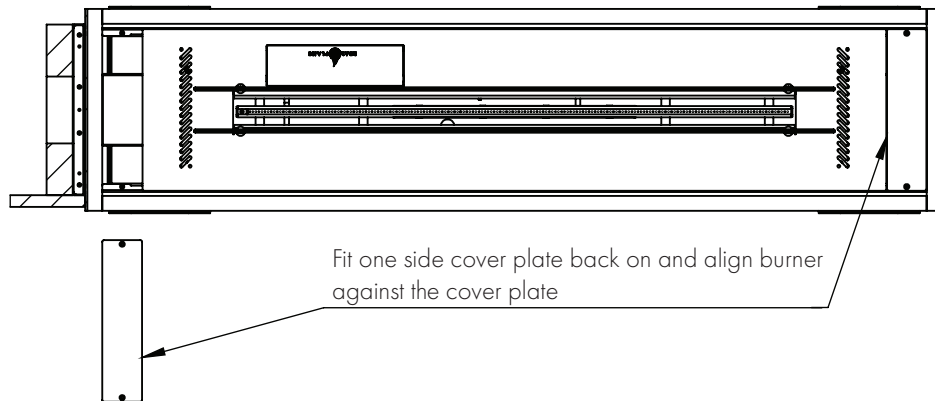
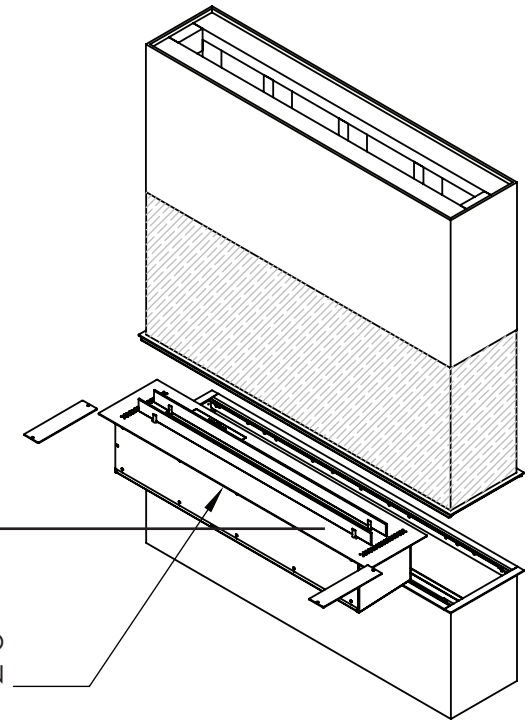


# MINIMUM FRAMING DIMENSIONS

## APPLIANCE FITMENT - FOUR SIDED



Power lead to exit bottom of enclosure.



---

## WARRANTY INFORMATION

Warranty is provided in Australia by Glen Dimplex Australia Pty Ltd.

This limited warranty is provided to the first domestic purchaser of a Real Flame Ethanol fire Surround. It applies from the date of purchase from or through an authorized Real Flame Ethanol Fire Surround Distributor in any State or Territory of Australia and is not transferable.

Products covered by this limited warranty have been tested and inspected prior to shipment and, subject to the provisions of this warranty, Glen Dimplex warrants such products to be free from defects in material and workmanship for a period of 5 years from the date of the first purchase of this product. The limited 5-year warranty applies to workmanship of the surround itself. The limited warranty period also applies to any implied warranties that may exist under applicable law. Some jurisdictions do not allow limitations on how long an implied warranty lasts, so the above limitation may not apply to the purchaser.

What is covered under this warranty?

- Repair or replace product or parts of a defective Ethanol Fire Surround.
- In the event a repair or replacement is not commercially practicable or cannot be timely made, Glen Dimplex may, in lieu of repair or replacement, choose to refund the purchase price for such product or part.
- Labour costs relating to the Ethanol Fire Surround.

Consumers may have additional rights under the Australian Trade Practices Act 1974 including the Australian Consumer Law or the Consumer Guarantees Act 1993 New Zealand.

This warranty does not apply and will be void where:

- The Ethanol Fire Surround is not installed by a qualified specialist installer;
- Any electrical work has not been carried out by a Registered Electrician;
- The Ethanol Fire Surround has been moved and reinstalled, or has been modified in a manner that is not consistent with the Installation Guide or the Owner's Manual;
- The Ethanol Fire Surround has not been installed or operated according to the Installation Guide and the Owner's Manual;

What is not covered with the limited warranty?

- Labour costs relating exclusively to components not manufactured by Glen Dimplex.
- Labour costs relating to removing or replacing the Ethanol Fire Surround.
- Damage caused by incorrect use of the Ethanol Fire Surround.
- Products that have been repaired (except by Glen Dimplex or its authorised service representatives) or otherwise altered.
- Travel costs for a distance greater than 50 km from the nearest approved Service Agent.
- Defects, malfunctions or failures caused by incorrect installation, poor installation, normal wear and tear, misuse, neglect, accidental damage or failure to follow operating instructions in the Owner's Manual (including incorrect power source, product operation and maintenance instructions), repairs or modifications by persons not authorised by Glen Dimplex, use of parts not supplied by Glen Dimplex, or damage or other events which have occurred since the product left the control of Glen Dimplex.
- Installation of the Ethanol Fire in an outdoor setting.
- Removal or transportation of such product or part (and any repaired or replacement product or part) to and from the authorized dealer's or service agents place of business.
- On-Site or In-Home services; these services may be performed at the purchaser's request and expense at Glen Dimplex's then-current rates for such services.
- Direct, indirect or consequential losses or special damages of any kind (including costs of collection and delivery) other than repair or replacement of products or components under this warranty, where

---

## WARRANTY INFORMATION cont.

any goods are acquired or used for the purposes of a business.

How to obtain warranty service?

- Product registration via the website ([realflame.com.au](http://realflame.com.au)) must be completed within 30 days of purchase of your Surround, or within 30 days of the date of settlement of purchase of a new home.
- Warranty Claims must be made at place of purchase.
- Reasonable proof of purchase date is required to make a warranty claim. You should keep your purchase receipt.
- Warranty repair will be completed according to normal work practices of the service agent.

Make the faulty part(s) available to Glen Dimplex for inspection so that the validity of the claim can be established by them.



Website:  
[www.realflame.com.au](http://www.realflame.com.au)

Telephone:  
1300 554 155

---

© Glen Dimplex.

All rights reserved. Material contained in this publication may not be reproduced in whole or in part, without prior permission in writing from Glen Dimplex.  
All technical information provided herein is subject to revision based on any technical updates.