



GAS FIREPLACE

INSPIRE CLASSIC 600



FEATURES

- A compact Inspire version for a classic finish into your existing fireplace cavity.
- Slimmer Fascia trims allowing for a larger viewing window.
- Remote control – programmable remote with time and temperature control.
- New and improved burner for an unmatched flame pattern.
- With up to 8.5m flue: horizontal, vertical, or under the floor.
- Developed with a quiet motor and fan.
- Infill panel for a seamless finish into an existing fireplace.

MEDIA BED OPTIONS



Snow gum



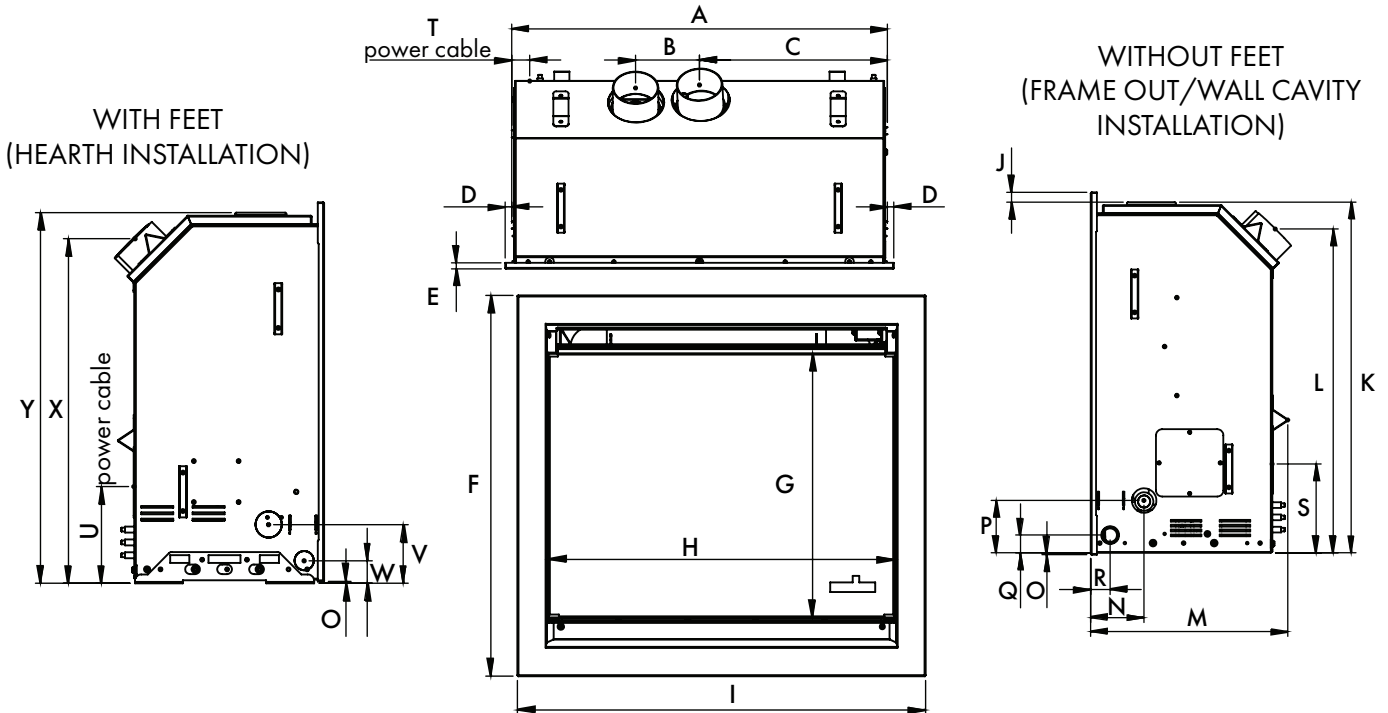
Driftwood

STAR RATING	up to 4.3 stars	
MAX HEAT OUTPUT	up to 4.6kW	
ROOM SIZE	approx. up to 70m ²	
GAS TYPE	Natural Gas	LPG
GAS INPUT	21.5 High/14 Low	21.5 High/18 Low

INSPIRE CLASSIC 600

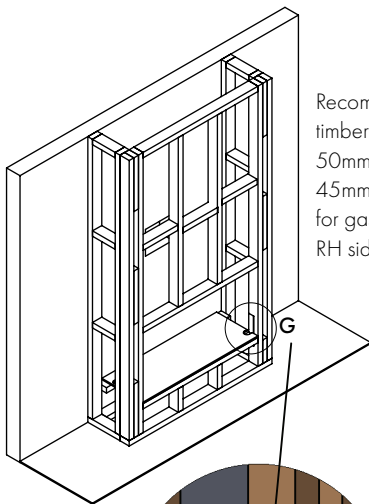


UNIT DIMENSIONS

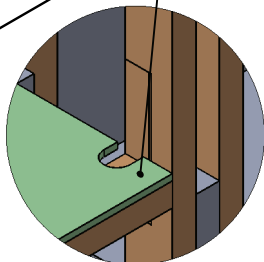


MODEL	A	B	C	D	E	F	G	H	I	J	K	L	M
Classic 600	614	105	307	10.5	10	592	411	538	635	16	573	529	322
	N	O	P	Q	R	S	T	U	V	W	X	Y	
	87	3	86	29	32	145	39	151	92	35	538	579	

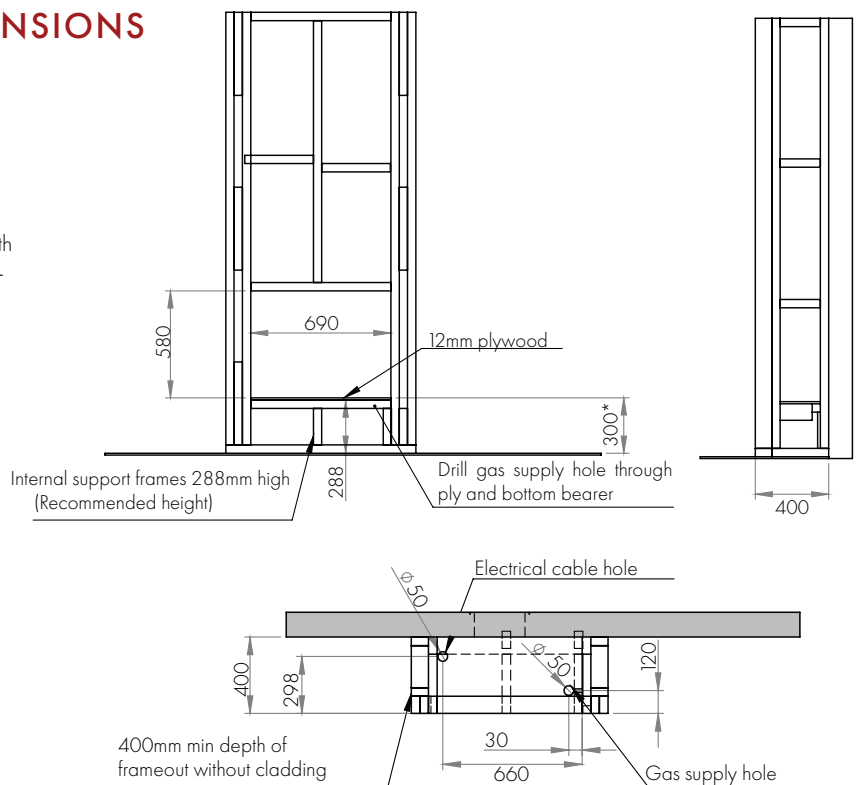
MINIMUM FRAMEOUT DIMENSIONS



Recommended timber checkout
50mm x 200mm x
45mm Timber depth
for gas clearance -
RH side only



DETAIL G



Glen Dimplex Australia Ltd

Glen Dimplex Australia Ltd's policy is one of continuous development. We reserve the right to change size and specifications without notice. For the latest product information and warranty details please refer to www.realflame.com.au. Please refer to the installation and operation instructions before having your Real Flame installed. A full set of these instructions is supplied with each fire.